

IX304 WALL MOUNTED WASTE BIN SS

AQA-IX3-733-SS



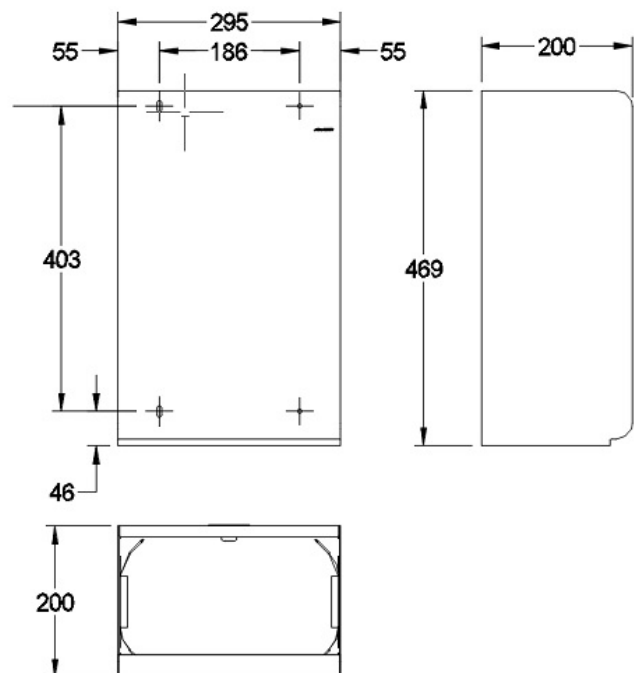
Specifications

Range	IX304
Product code	AQA-IX3-733-SS
Finish/Colour	BRUSHED STAINLESS ST
Product type	WASTE BIN
Material	STAINLESS STEEL

Technical Information

WASTE BIN
WALL MOUNTED
THICKNESS 1.0 MM
STAINLESS STEEL GRADE 304
FILLING VOLUME CAPACITY 24 LITERS

Drawing



Box contents: WASTE BIN