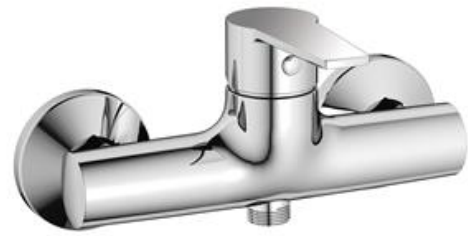


ENVOY EXPOSED SHOWER MIXER CP

AQE-ENV-324-CP



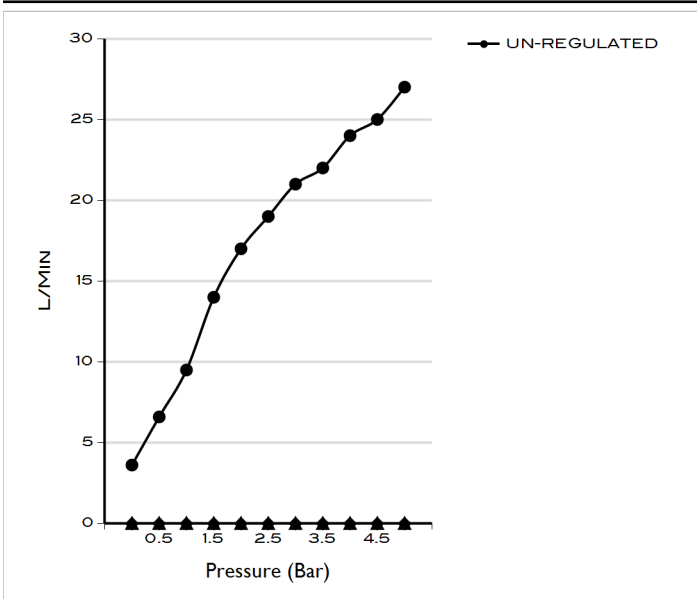
Specifications

Range	ENVOY
Product code	AQE-ENV-324-CP
Finish/Colour	CHROME
Product type	EXPOSED SHOWER MIXER
Material	BRASS
Connection Size	1/2"
Test Range	0.2-5 Bar
Min. Operating Pressure	0.5 BAR LP

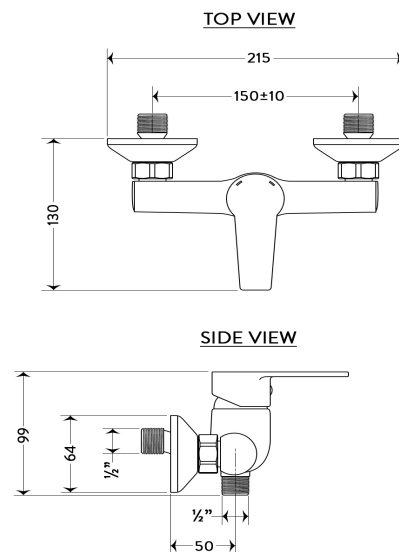
Technical Information

EXPOSED SHOWER MIXER
WALL MOUNTED
SINGLE LEVER
WITHOUT RIGID RISER
1/2" - 3/4" X 50MM ECCENTRICS
1/2" CONNECTION FOR SHOWER HOSE
CARTRIDGE SXM-CAR-EN35-SD-END

Flow Rate Graph



Drawing



Box contents: EXPOSED SHOWER MIXER, 2X PIPE ECCENTRICS, 2X SHROUD, 2X 3/4" RUBBER WASHER