

SENATOR WALL MOUNTED WC PAN WH

AQS-SEN-300-WH



Specifications

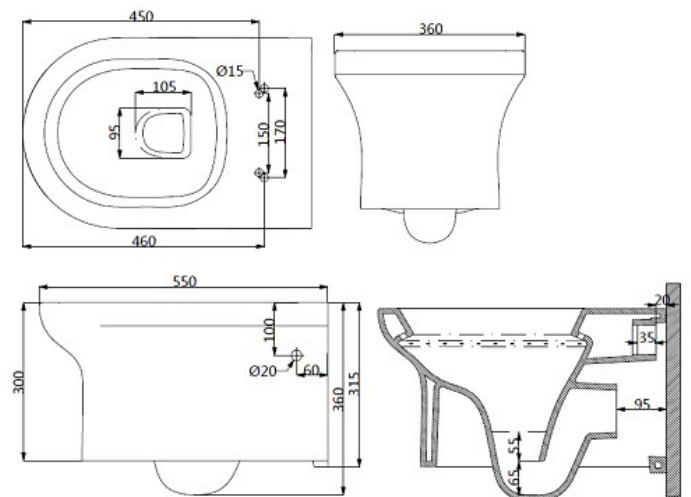
Brand	AQUAECO
Range	SENATOR
Product code	AQS-SEN-300-WH
Finish/Colour	WHITE
Product type	WALL MOUNTED WC
Material	CERAMIC
Connection Size	Ø100MM

Technical Information

WALL MOUNTED WC PAN
 "P" TRAP HORIZONTAL OUTLET
 WALL OUTLET ONLY
 SIDE FIXING
 WITH FIXING KIT
 4/6 LITRE FLUSH CAPABLE
 USE WITH SEAT AQS-SEN-330-C-WH
 WEIGHT: 23.5KG
 CE STANDARD: EN 997

Lifestyle Image

Drawing



Box contents: WALL MOUNTED WC PAN, FIXING KIT