

SLIM LINE TOWEL RAIL 450MM CP

BDA-SLM-703-CP



Specifications

Range	SLIM LINE
Product code	BDA-SLM-703-CP
Finish/Colour	CHROME
Product type	TOWEL RAIL
Material	BRASS OTHER

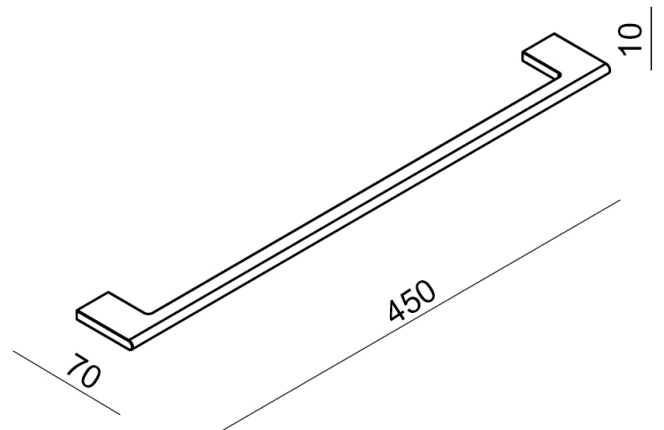
Technical Information

SINGLE TOWEL RAIL
WALL MOUNTED
2 FIXING POINTS

Lifestyle Image



Drawing



Box contents: SINGLE TOWEL RAIL