

## SLIM LINE TOWEL RAIL 450MM MB

BDA-SLM-703-MB



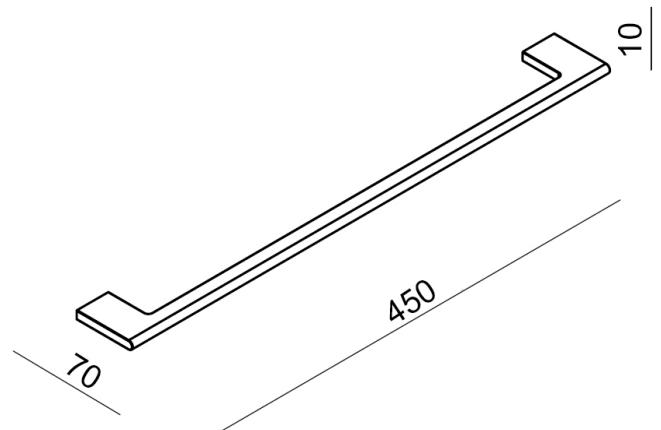
### Specifications

Range	SLIM LINE
Product code	BDA-SLM-703-MB
Finish/Colour	MATT BLACK
Product type	TOWEL RAIL
Material	BRASS OTHER

### Technical Information

SINGLE TOWEL RAIL
WALL MOUNTED
2 FIXING POINTS

### Drawing



Box contents: SINGLE TOWEL RAIL