

SLIM LINE TOWEL RAIL 750MM CP

BDA-SLM-713-CP



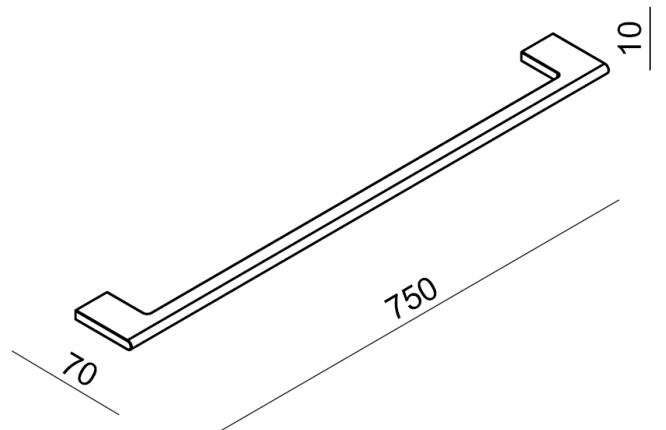
Specifications

| | |
|---------------|----------------|
| Range | SLIM LINE |
| Product code | BDA-SLM-713-CP |
| Finish/Colour | CHROME |
| Product type | TOWEL RAIL |
| Material | BRASS OTHER |

Technical Information

| |
|-------------------|
| SINGLE TOWEL RAIL |
| WALL MOUNTED |
| 2 FIXING POINTS |

Drawing



Box contents: SINGLE TOWEL RAIL