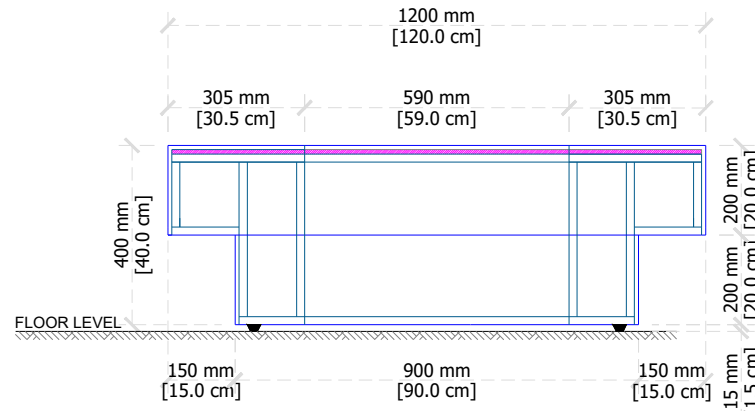
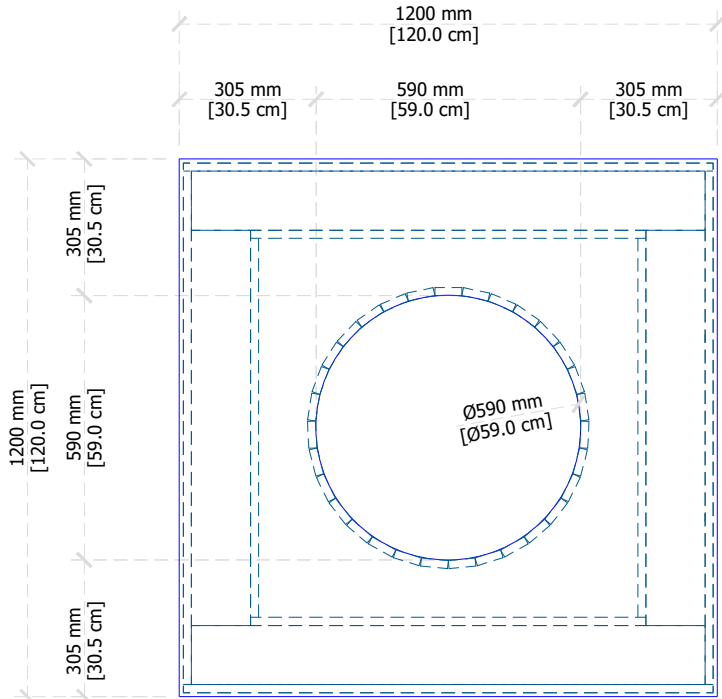


FRONT VIEW



SIDE VIEW



PLAN VIEW

NOTES:

1. ALL MEASUREMENTS ARE SHOWN IN mm & cm UNLESS NOTED OTHERWISE.
2. TILE EDGE CUTTING IS 90° OR 45° AS PER LEGEND UNLESS NOTED OTHERWISE.
3. ADHESIVE THICKNESS CONSIDER AS 3mm.
4. SHOWN DIMENSIONS OF THE PRODUCT SHALL BE VERIFIED AGAINST THE SPACE/INSTALLATION PROVISIONS BETWEEN & IN THE WAY OF WALL/STRUCTURAL ELEMENTS.

MATERIAL

APPLIANCES

CLIENT:

PROJECT:

DRAWING NO: GYM-FPE-R2-1212-B-XXX

DRAWING TITLE: FIRE PLACE
 1200x1200x400mm

REVISION	DATE	DESCRIPTION
R0	29-01-2026	ISSUED FOR REVIEW

DRAWN BY: DIMAL
 PAGE: 01 OF 01
 APPROVED BY:

SANIPEXGROUP
 SANIPEX FZE
 Slabs Fabrication Facility
 Plot No. S60507 - Street 1501 - near Gate 12
 - Jebel Ali Freezone -
 Dubai