



CLEANING INSTRUCTION

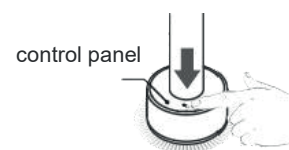


Use a mild soap solution to clean the product and ensure that any moisture is removed afterwards. Dry off any residual water or cleaning agent with a soft cloth. Do not let the product come into contact with abrasive, corrosive or chlorine-based cleaners, as these may cause damage.

DISABLE TOUCH FEATURE FOR MANUAL CLEANING

Press and hold the °C on the control panel until the LED light flashes.
At this time, the faucet is in a state of temporary water suspension.

You can use a soft cloth, sponge or small brush to dip in neutral detergent, wipe the faucet nozzle part, or remove the bubbler to clean the bubbler.
After cleaning, press and hold °C for 3 seconds to reactivate the touch feature.



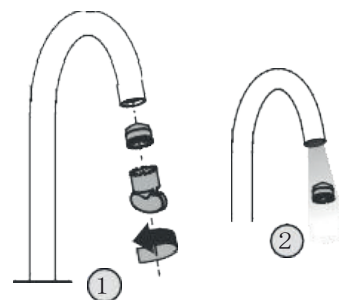
If there is not an operation within 30 seconds, the LED light will stop flashing.
The touch feature is reactivated automatically.

BUBBLER CLEANING

When the water flow is smaller than usual or the outlet is blocked.

Remove the bubbler using the bubbler wrench and flush the bubbler with water.

After cleaning, please reinstall the bubbler in reverse order and open the faucet to check whether it is installed in place.



Damages on the faucet resulting from incorrect handling are excluded from the manufacturer's warranty!