



CLEANING INSTRUCTION



Use a mild soap solution to clean the product and ensure that any moisture is removed afterwards. Dry off any residual water or cleaning agent with a soft cloth. Do not let the product come into contact with abrasive, corrosive or chlorine-based cleaners, as these may cause damage.

SHOWER CLEANING

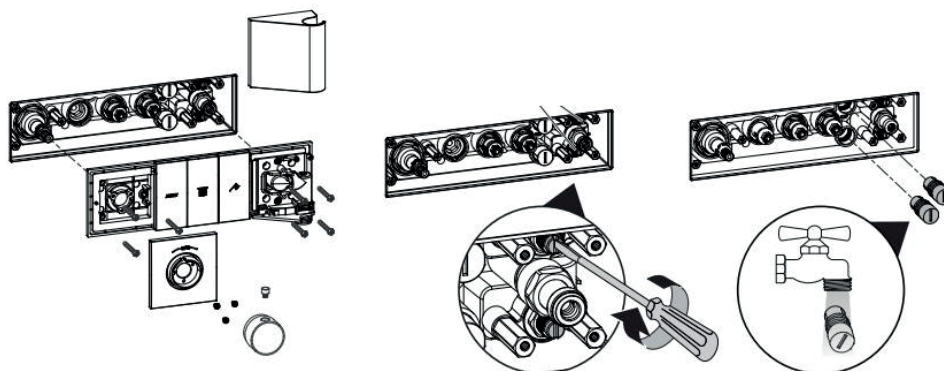
Please remove the shower and knead the blocked hole with your finger. Break up the scale and rinse with water. After installing the sprinkler, open the sprinkler valve, drain water for more than one minute, and confirm whether the spray is normal.



FILTER CLEANING

When the water flow is smaller than usual, remove the panel according to the installation procedure, lock the stop valve and remove the air filter (as shown in the following figure), and clean the air filter with water. After cleaning, reinstall the filter screen and relax the stop valve screw to connect the water.

Install the panel according to the installation procedure.



Damages on the faucet resulting from incorrect handling are excluded from the manufacturer's warranty!