

AXENT
SWITZERLAND

ELECTRONIC URINAL

USER MANUAL

USER MANUAL

ELECTRONIC URINAL

Safety	3
Introduction	4
Flow Adjustment	6
Cleaning and maintenance	7
Malfunctions during operation	8
Guarantee / Environment	9
Technical data	10

PLEASE KEEP THIS USER MANUAL SAFE

SAFETY

APPROPRIATE USE

The electronic urinal is designed for use in public, semi-public and private areas and may be started up, maintained and repaired only by a qualified plumber. AXENT does not accept liability for the consequences of improper use or installation.



SAFETY INSTRUCTION

Risk of fatal injury from electric current.

There is a risk of electric shock if the power supply and water come into contact. Ensure that the electronics do not make contact with water.

Damage caused by improper repairs.

Improper repairs can cause damage to health and to the product.

Do not carry out any modifications to or tamper with the product and do not install any additional equipment or attempt to make any repairs yourself.

Repairs must be carried out by a qualified plumber.



For care and cleaning of the device only use the care and cleaning products recommended by AXENT.

Should other not recommended cleaning products be used AXENT will assume no liability.

This user manual corresponds to the state of the device technology at the time of printing. AXENT reserves the right to make changes in terms of further development. This documentation is also subject to change. A current version of this document and additional documents can be downloaded via www.axentbath.com.

INTRODUCTION

OVERVIEW

AXENT Italica



AXENT Gallia



INTRODUCTION

BEFORE USE

Before power connect, please clear the obstacle around the product. so as not to affect the sensor effect or cause sensor malfunction. Open the water inlet valve to check the water supplied, check whether the leak observed around the connections. If there is, please tight and fix in right position.

REGULAR USE

The electronic urinal is integrated with an ultrasonic sensor with a maximal detection distance from 46 +/-5cm. If an user is detected, a pre-flush is carried out. The post-flush will be started while the user leaves.

If the time gap between two uses is shorter than 30 seconds or there is a use during post-flush, the pre-flush will be dispensed with to save water. If the urinal has not been used for the last 24 hours, the post-flush is triggered to refill the siphon.

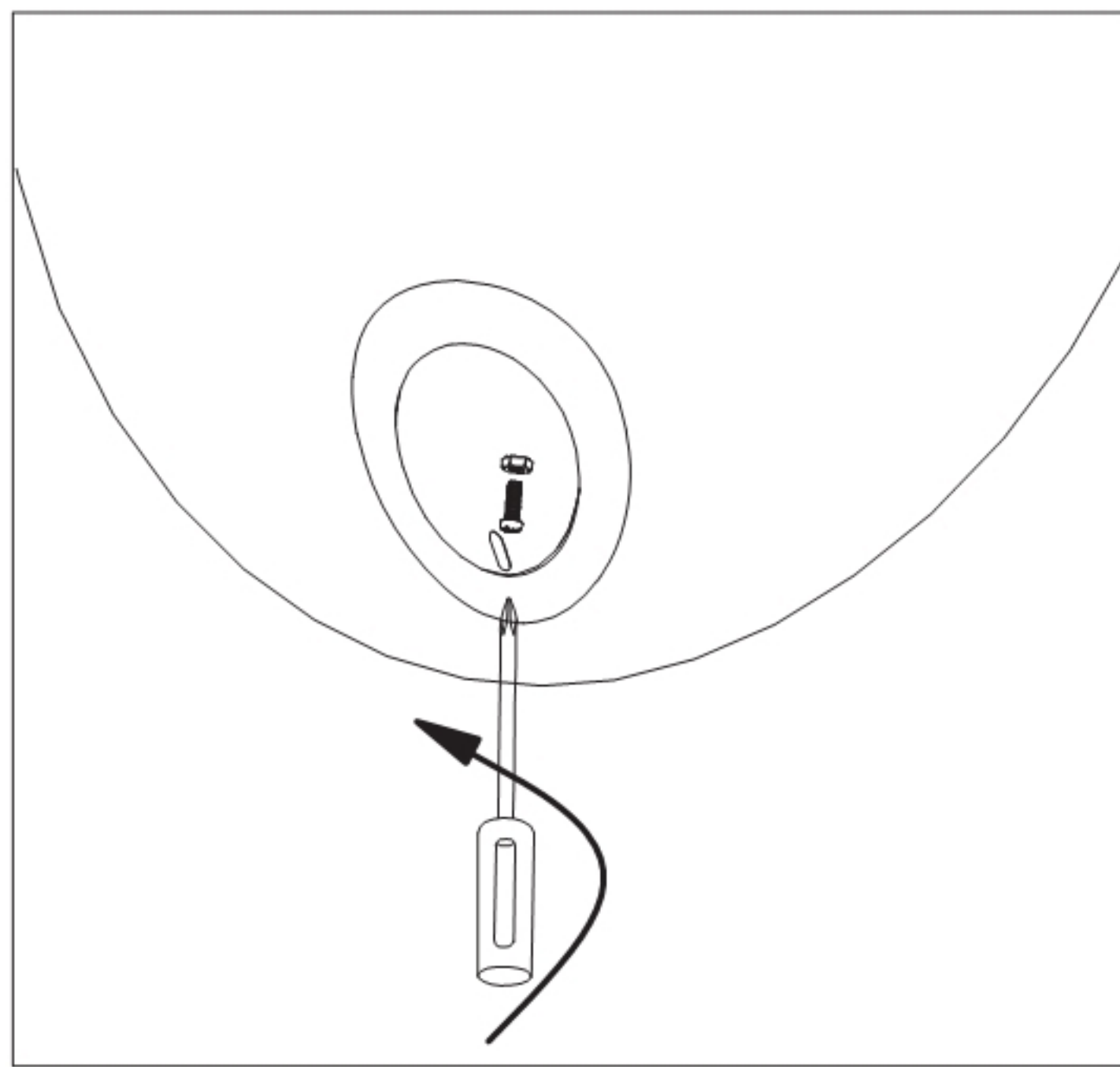
FLOW ADJUSTMENT

FLOW REGULATING

Adjust the flow regulating valve when the flow is large or small.

1. Use cross screwdriver (parallel to the wall) pass through the hole, loose the screw anticlockwise (the screw will not fall off),
2. Use cross screwdriver (vertical to the wall) pass through the hole, pull the induction module gently, the sensor will fall off, as shown in figure 2.
3. Flow regulating as figure 3.
 - A Turn the screw clockwise by screwdriver to increase the flow.
 - B Turn the screw anticlockwise by screwdriver to decrease the flow.
4. Tight the crew and fix back the induction module after proper flow regulation.

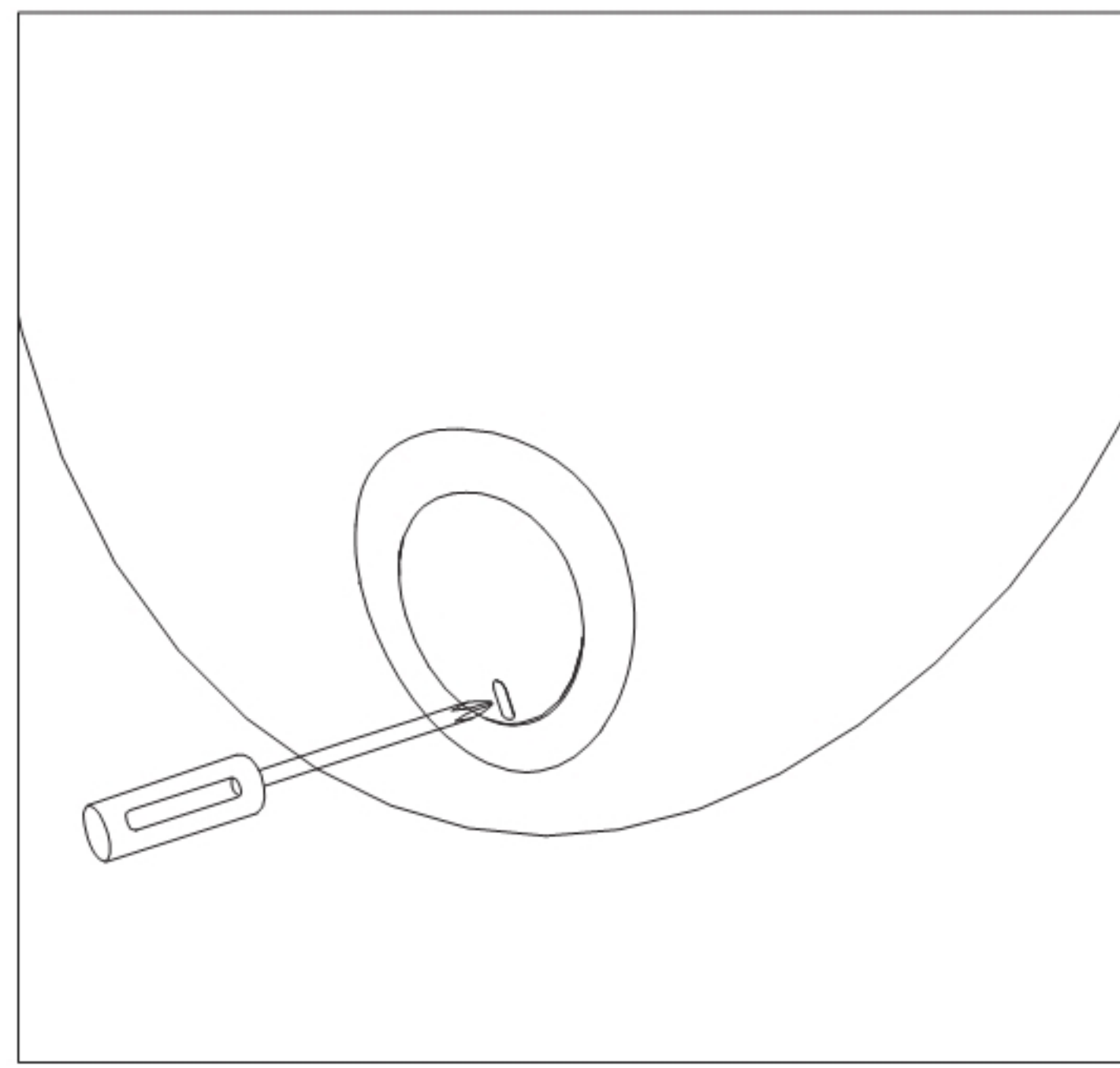
Fig: 1



Loose the screw (Screw will not fall down).

Remarks: Vertical to the wall

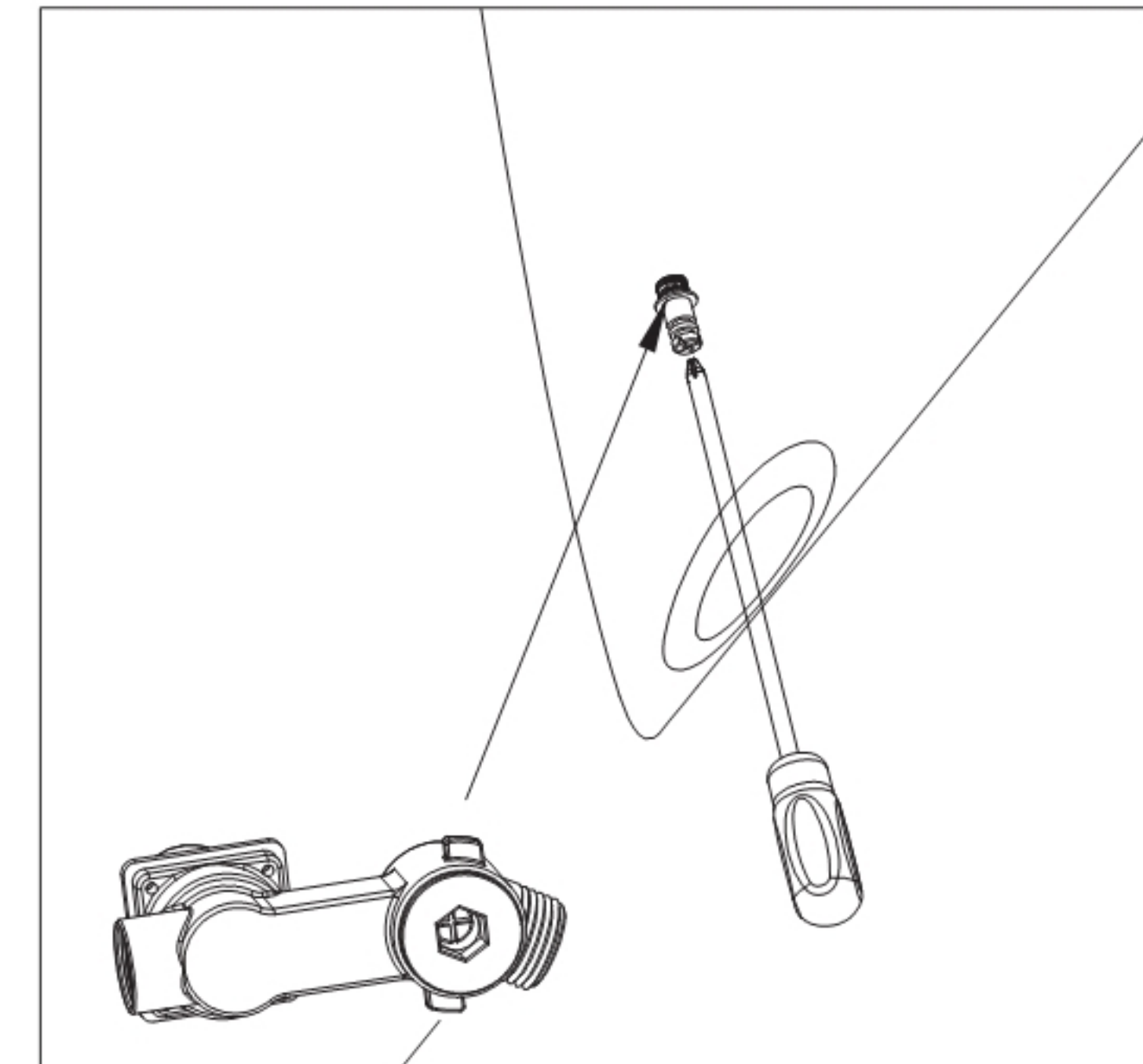
Fig: 2



Pull the sensor by screwdriver, the sensor will fall down.

Remarks: Vertical to the wall

Fig: 3



Anticlockwise to decrease the flow.
Clockwise to increase the flow

CLEANING AND MAINTENANCE

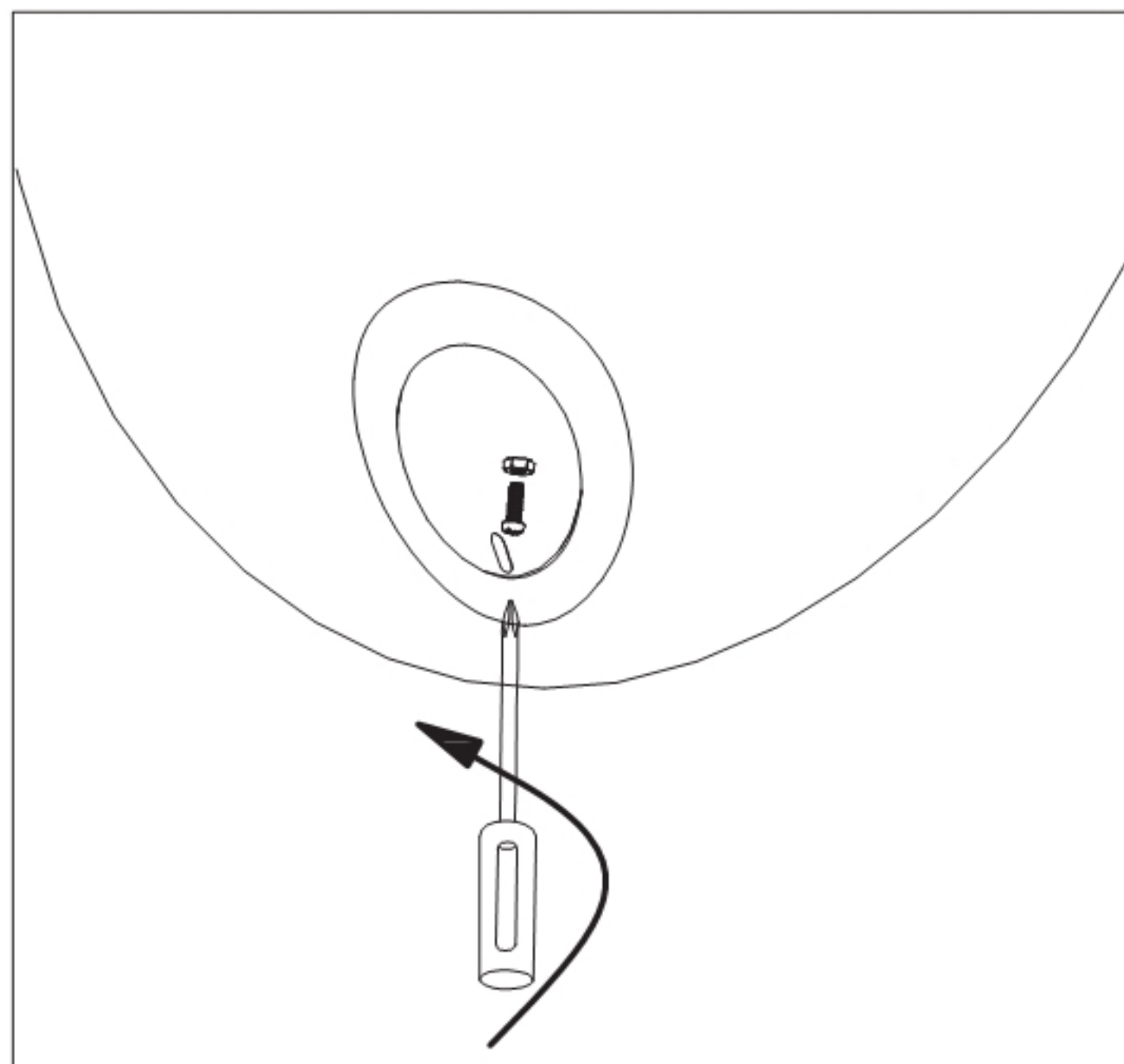
FILTER CLEANING

Remark: Filters need to be cleaned occasionally. When the outlet water pressure is lower than usual or can not work properly, please give priority to clean the filter.

CLEANING STEPS:

1. Use a phillips screwdriver parallel to the wall unscrew the nut by counterclockwise through the keyhole of the sensor assembly and the nut will not fall off.As shown Figure 1.
2. Use a phillips screwdriver vertical to the wall pull the sensor through the keyhole of the sensor assembly and the sensor will fall off.As shown Figure 2 .
3. Turn the flow adjusting rod counterclockwise with a phillips screwdriver until the water stop (turn the rod to the end and stop the flow) As shown in figure 3.
4. Use an inner hexagon wrench(Specification:CR-V10mm)and unscrew the filter screen anticlockwise(Note: at this time, the product will flow a small section of water (non continuous), normal}.As shown Figure 4 .
5. Clean the stainer.As shown Figure 5 .;
6. Put back and tight with an inner hexagon wrench (specification: CR-V10MM) by clockwise after cleaning.As shown in figure 6.
7. Adjust the water flow rod until the right flow rate,same as step 3 ;
8. Fixed back sensor after proper flow rate regulating,and follow the step as Fig1 and to Fig2 tight the screw clockwise by screwdriver.

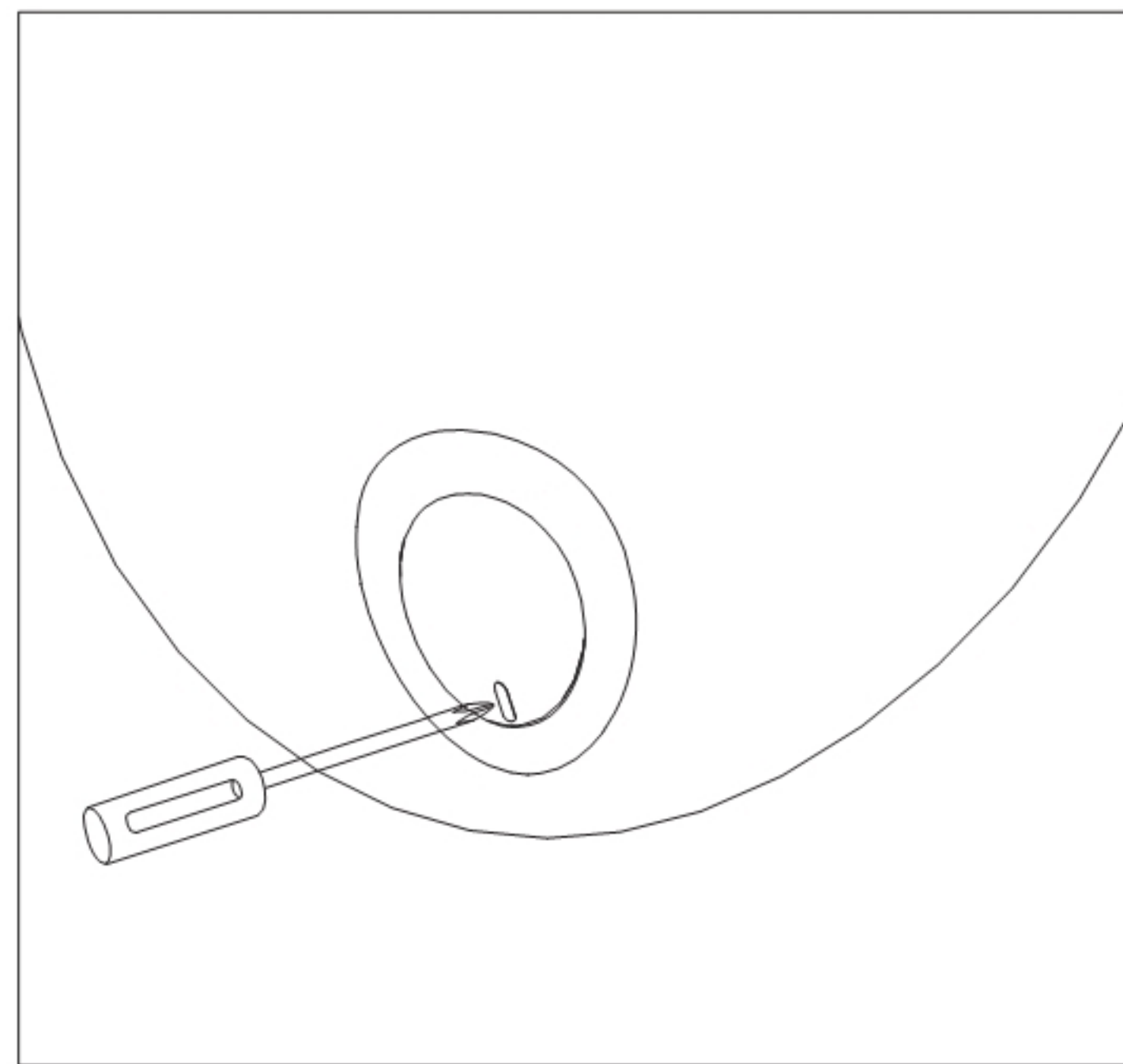
Fig: 1



Loose the screw (Screw will not fall down).

Remarks: Vertical to the wall

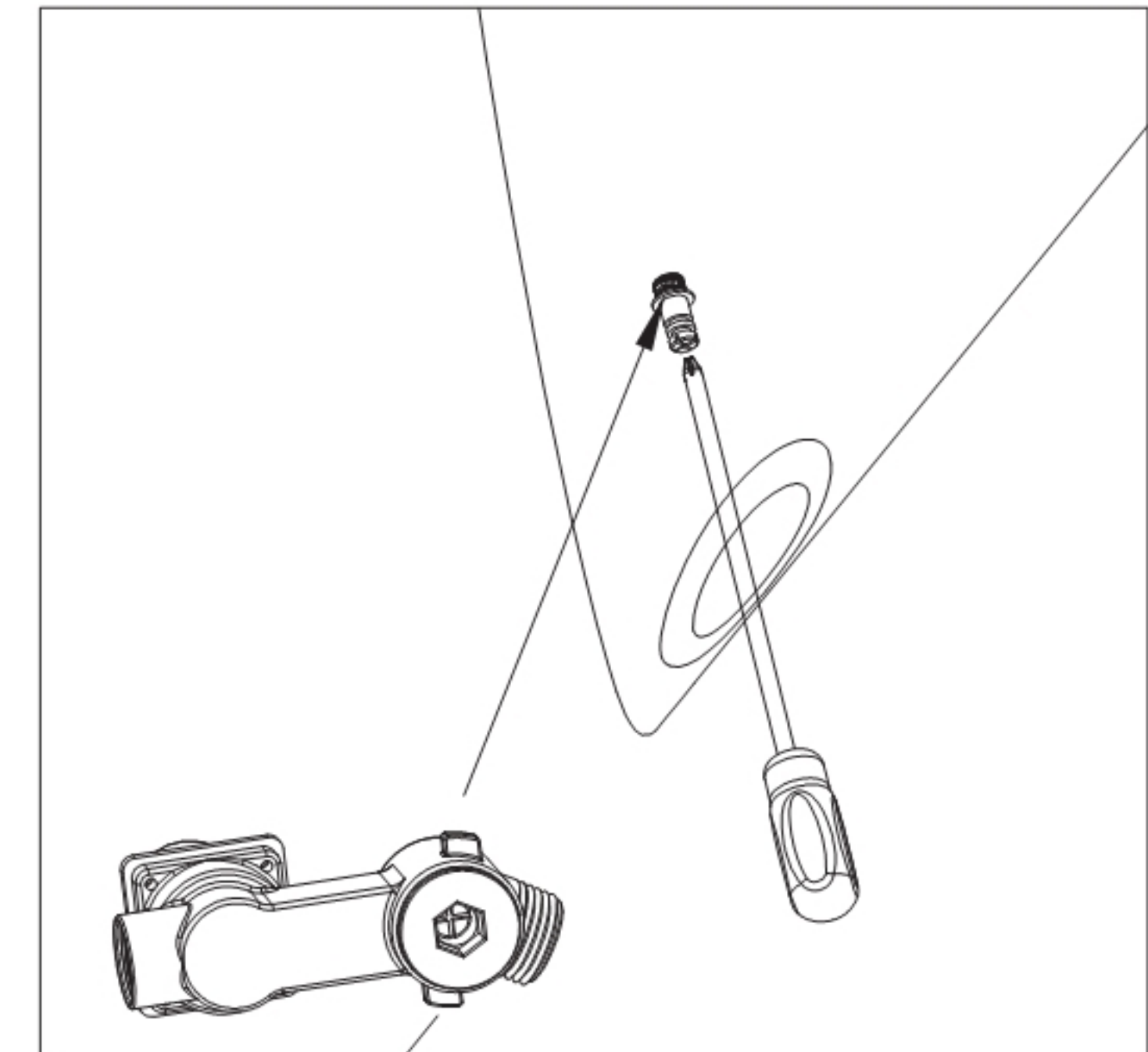
Fig: 2



Pull the sensor by screwdriver, the sensor will fall down.

Remarks: Vertical to the wall

Fig: 3

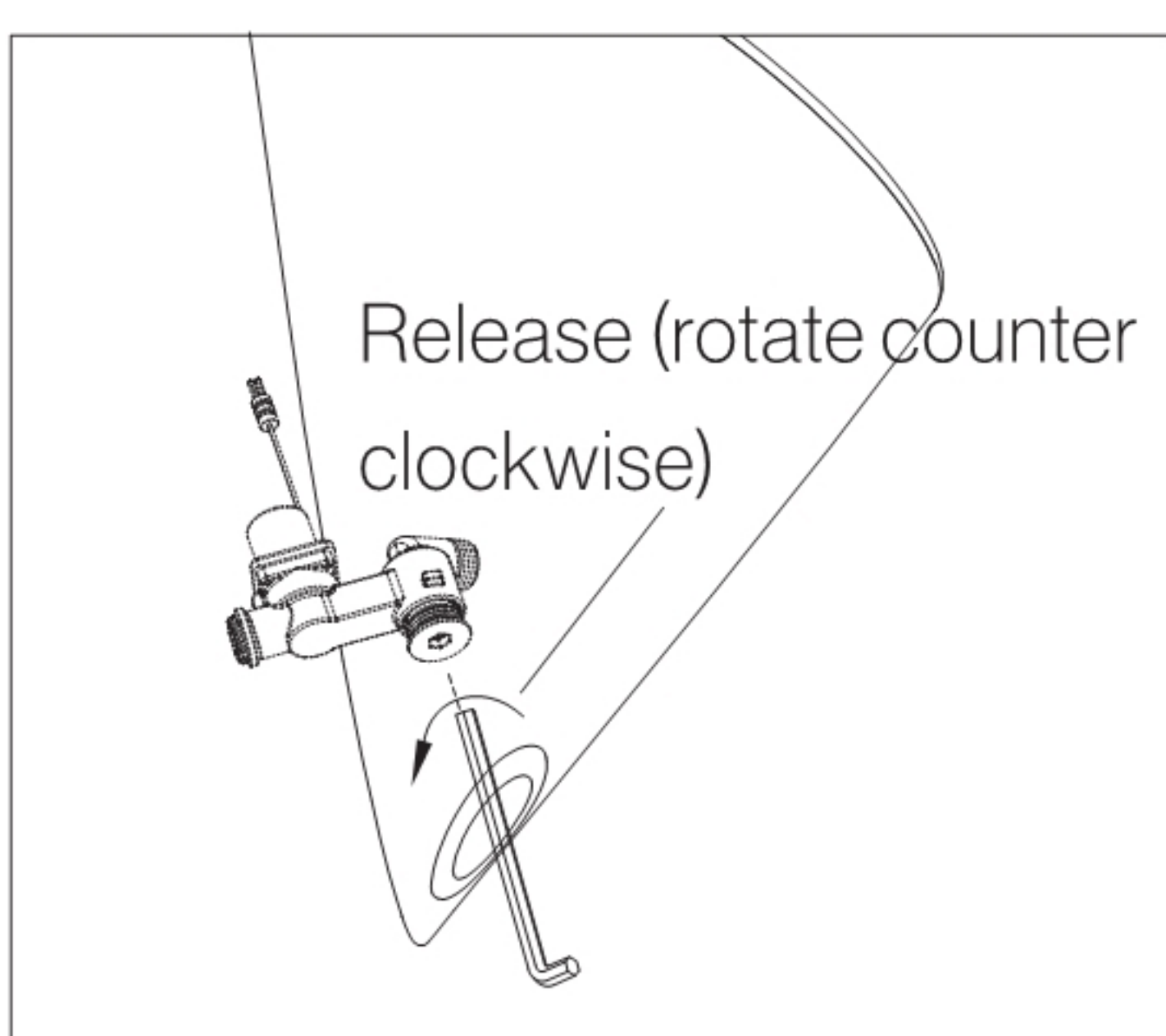


Use a screwdriver to turn the adjusting lever anticlockwise to the product.



No water (the regulating rod is turned to the stop).

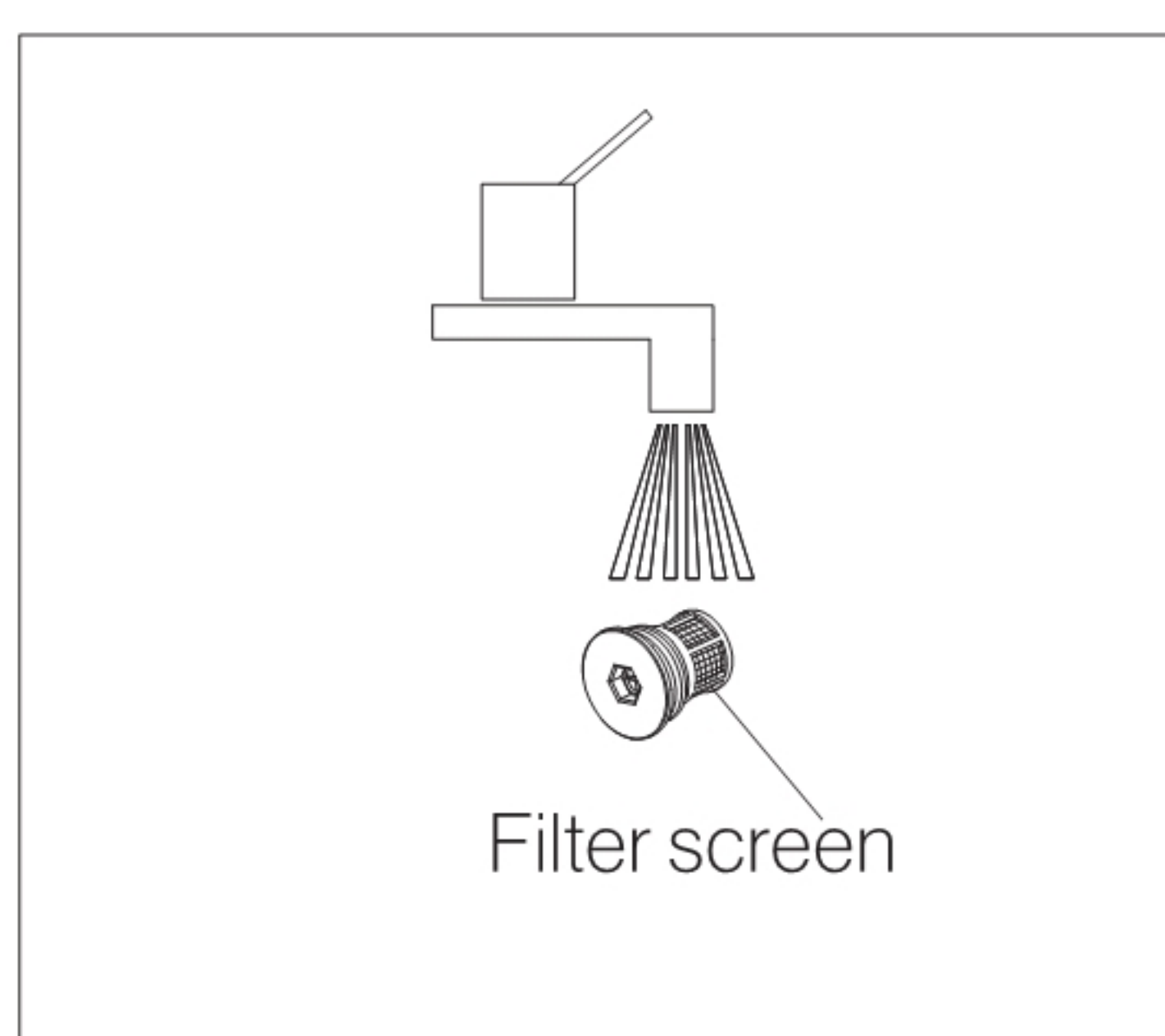
Fig: 4



Use Allen wrench (specification: CR-V 10 mm).

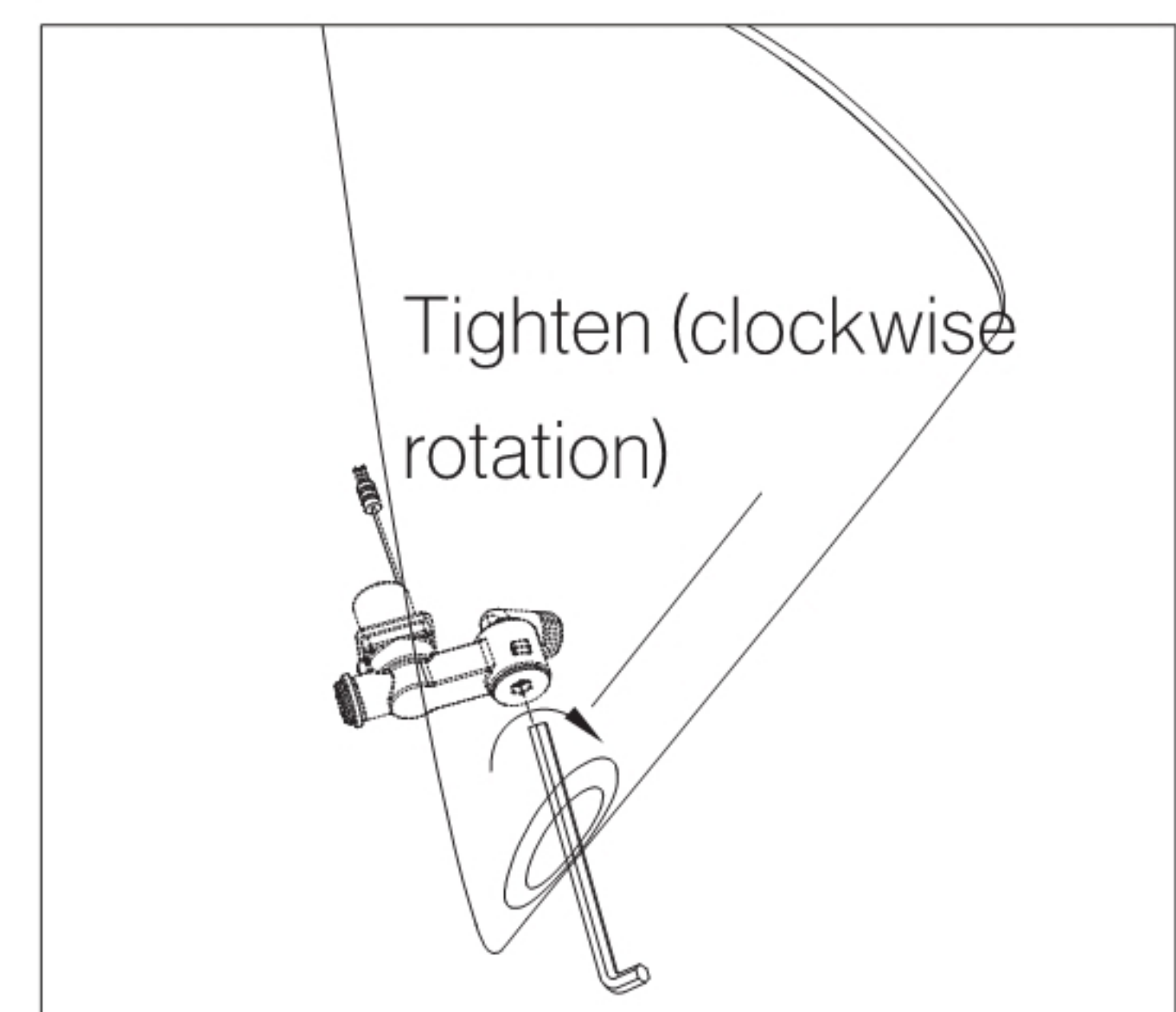
Unscrew the filter screen anticlockwise

Fig: 5



Clean the stainer

Fig: 6



Use Allen wrench (specification: CR-V 10 mm).

Unscrew the filter screen clockwise

MALFUNCTIONS DURING OPERATION

Fault	Reason	Treatment
No water	No power supply	Restart the urinal after power switch on
	Power wire connect wrong	Connect the wire according the manual
	There are obstacles within the sensing range	Remove obstacles or move away from the sensing range
Water flow rate low	Water inlet valve shut off	Open the valve
	Water inlet valve	Open the valve
	Water pressure low	Improve the water pressure
	Filter blocked	Clean the filter
Water flow rate low	Filter blocked	Clean the filter
No performance of pre-flush	Set to disable this feature	The provider turned off the feature
	Continuous use by multiple people	Within 11 seconds of the previous user leaving, the next user entering the urinal does not perform preloading

If the trouble is not eliminated after handling according to the above method, please contact our company after sales through the seller. If you need to connect water or electricity lines, please ask a qualified electrician to handle it.

GUARANTEE / ENVIRONMENT

GUARANTEE

Guarantee for production and material is 2 years from the installation of the product.

Claims can only be made under this guarantee if

- The installation and set-up has been done by an authorised installation company.
- The device has been used and maintained as advised in the user manual.
- There has been no external damage to the device during set up, installation, maintenance and cleaning.
- There have been no modifications on the Urinal.
- Guarantee only takes place in countries AXENT has its place of business or has a legal subcontractor of AXENT.

Should a product or material fault occur within the guarantee period, AXENT will arrange following:

AXENT will arrange for necessary maintenance work to be carried out by an appointed customer service to replace faulty parts free of charge. Within this guarantee a cancellation of sale cannot be claimed by the end customer.

Once the guarantee has expired, AXENT will not honour any claims by the end customer that are based on this guarantee. This includes claims also relating to parts of the product that have been changed or repaired during the guarantee period. This guarantee is exclusively subject to the Swiss law. Expressly excluded are the United Nations Convention on Contracts for the International Sales of Goods. Any dispute arising from this guarantee, fall within the jurisdiction of the court at the place of business of AXENT.

SUBSTANCE OF CONTENT

The AXENT Urinal meets the requirements of the EU directive «Restriction of Hazardous Substances» (2011 / 65 / EU, RoHS). It is largely free of hazardous substances such as lead, cadmium, mercury or chrome VI.

The European chemical regulation REACH (1907/2006/EG), which regulates the registration, assessment, approval and restriction of certain chemical substances, is also complied with.

PROPER HANDLING WASTE MANAGEMENT

In accordance with Directive 2012/19/EU (WEEE-II), manufacturers of electrical equipment are obliged to take back old equipment and to dispose of it appropriately.

Electronic devices often contain still usable materials. At the same time but also many harmful substances that ensure the operation and safety of the equipment. Mishandling or improper disposal of these substances are harmful to humans and the environment.

Please contact your local recycling facility to return waste electrical equipment and ensure its recovery. There is also the possibility to contact AXENT for proper disposal which is free of charge. In the meantime store the device in a child safe area. With the marking of plastic parts according to international standards for separation, the plastic is disposed appropriately. As for this, your old device will be recycled environmentally conscious.



This symbol on the nameplate of your device refers to the prohibition of disposal with the usual household waste.

DECLARATION OF CONFORMITY

You can obtain a copy of the declaration of conformity from your responsible AXENT sales company.

TECHNICAL DATA

	AXENT Italica		AXENT Gallia	
Article No	U70.0111.0001.1		U72.0111.0001.1	
Voltage	220V~ 50Hz		220V~ 50Hz	
Power consumption	Min: 1W Max: 4W		Min: 1W Max: 4W	
Working environment	1°C ~55°C		1°C ~55°C	
Water flush volume under pressure	0.05MPa~0.75MPa, 0.17MPa,	flush volume ≤1.5L flush volume ≤1L	0.05MPa~0.75MPa, 0.17MPa,	flush volume ≤1.5L flush volume ≤1L
Factory setting	Pre-flush: 3 seconds Post-flush: 6 seconds		Pre-flush: 3 seconds Post-flush: 6 seconds	
Water pressure	0.05MPa~0.75MPa		0.05MPa~0.75MPa	
Max sensor detection distance working range	46±5cm		46±5cm	

LEGAL DIRECTIONS

This manual contains important information on the intended use, correct operation and proper maintenance of the equipment. Knowledge of and compliance with the instructions of this manual are provided for both the safe use of the equipment and for the safety of its operation and maintenance. In this manual, not all kinds of applications and improper manipulations are considered. In addition, attention is drawn to the following: The content of these instructions is neither part of any previous or existing agreement, commitment or legal relationship, nor does it change from an existing agreement, commitment or legal relationship. Any commitment by AXENT results from the respective warranty. These include the complete and authoritative warranty obligation AXENT. The statements in this manual do not constitute an extension or a restriction of the claims under the warranty provisions. This manual is protected by copyright. Copies and / or translations into other languages may be made only with prior written approval of AXENT.

AXENT International AG

info@axentbath.ch

www.axentbath.ch