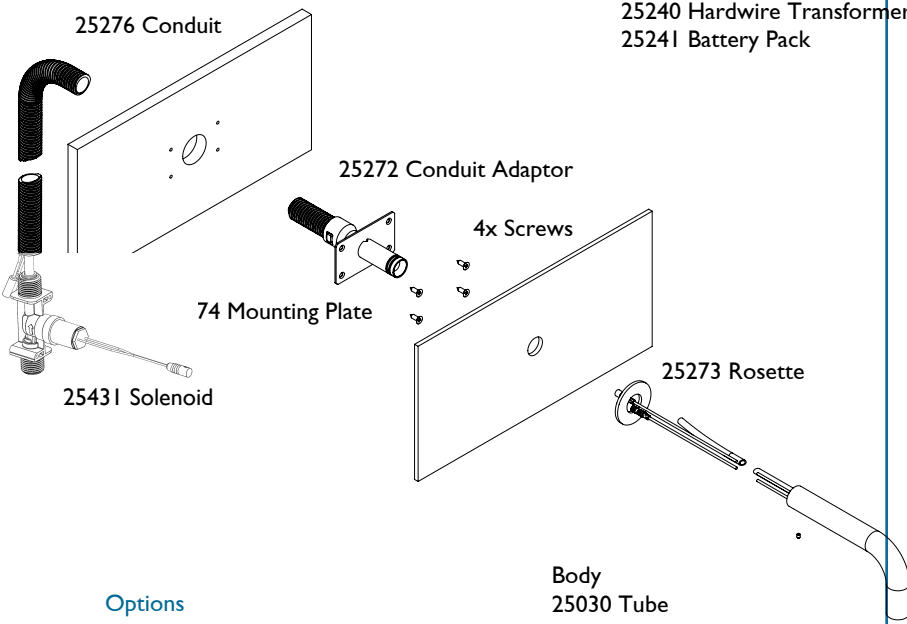
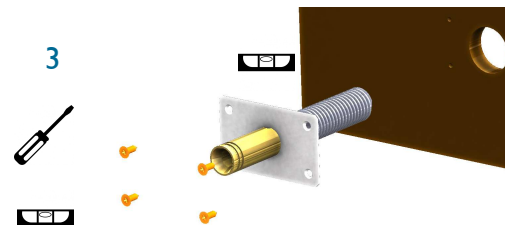


PACK CONTENTS

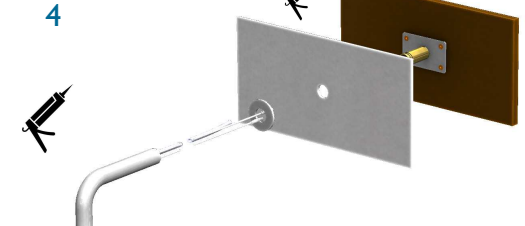


Power Supply Options:*

- 25147 UK Mains Adaptor
- 25428 EURO Mains Adaptor
- 25240 Hardwire Transformer
- 25241 Battery Pack

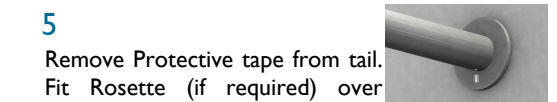


Fix the wall Tail/Mounting Plate assembly with 4 screws supplied. **IMPORTANT:** Slot to be on underside of tail. Ensure wall plate is level as this dictates tap angle and rotation. Protect Brass Tail with low tack tape / other suitable method

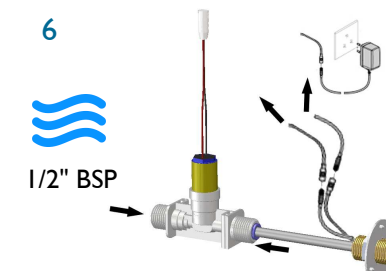


Fit Splashback with adhesive (or other fixing method as required) leaving mounting assembly protruding

Insert in order - plugged cables and then pipe from the tap into mounting assy and feed through. **DO NOT** Remove connectors from cable or pipe ends until after they have passed through the conduit.



Remove Protective tape from tail. Fit Rosette (if required) over mounting assembly. Slide tap body onto mounting assy and secure with grub screw from beneath



7 > Switch on power supply

> The sensor is self adjusting.*

*Further adjustments can be made by purchasing the Bluetooth Adaptor and downloading the App

8 Open hot and cold water supply and check that connections are watertight.

MAINTENANCE

DO NOT use steel wool or cleansing agents containing alcohol, acid, abrasives or the like. Use of any prohibited cleaning or maintenance products or substances could damage the surface of the tap. For surface cleaning of tap use ONLY soap and water then wipe dry with a clean soft cloth. Protect taps from splattering of harsh cleansers when cleaning surroundings.

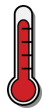
Options



Standard ? Order 25148 separately



Bar
0.5 min
6.0 max



°C
60



L/min
3.78 max @ 2 bar

Body

- 25030 Tube
- 25275 Tail
- 25146 Sensor Assembly
- 25040 Aerator Housing
- 25041 Aerator

PRE INSTALLATION

> Please check that all the components in the list above are present and that they are in good condition before installation. If any components are missing contact Dolphin Solutions.

⚠ WARNING

> Highly reflective surfaces directly beneath the sensor of this product, in particular polished finish basin wastes/strainers, will cause false activation of the infrared sensors and can result in malfunction. We recommend Satin or Matt finish products which can be found on our website.

> Sitting water may also cause the tap to activate

> All Plumbing and Electrical installation must be carried out by a qualified person and in accordance with applicable codes and regulations.

> Do not kink the water supply hose.

INSTALLATION

1 Flush pipes thoroughly before and after installation

