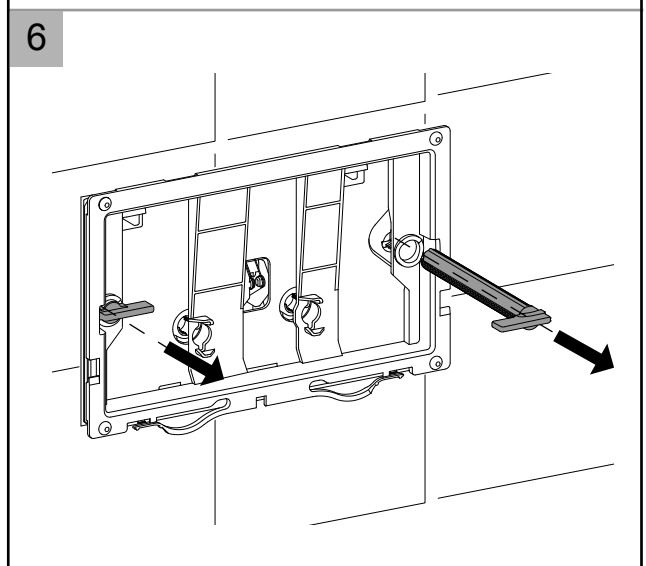
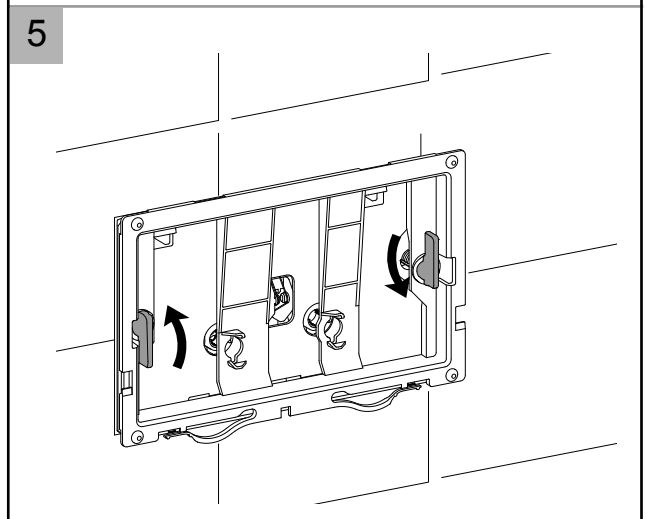
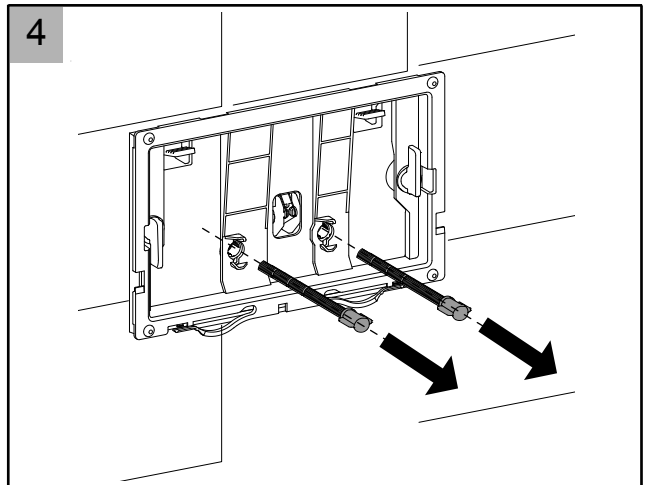
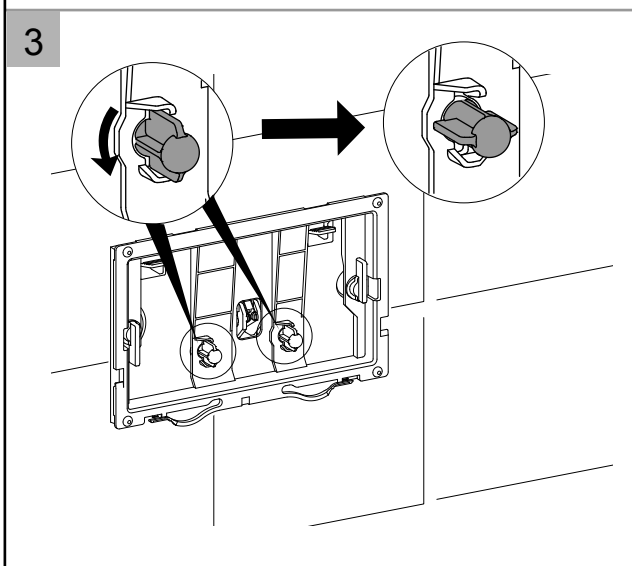
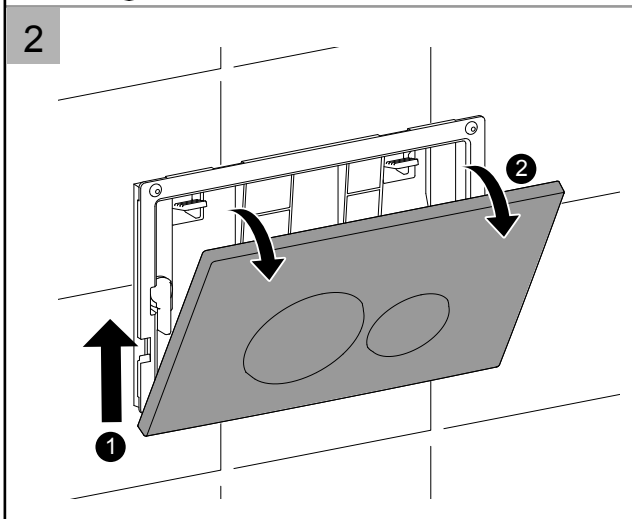
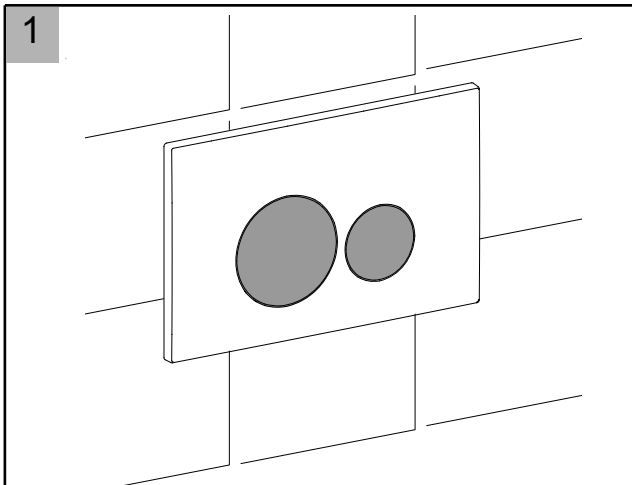
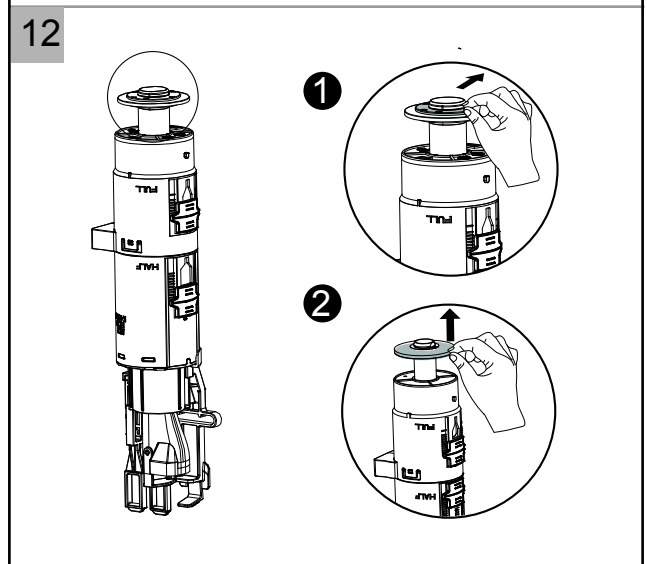
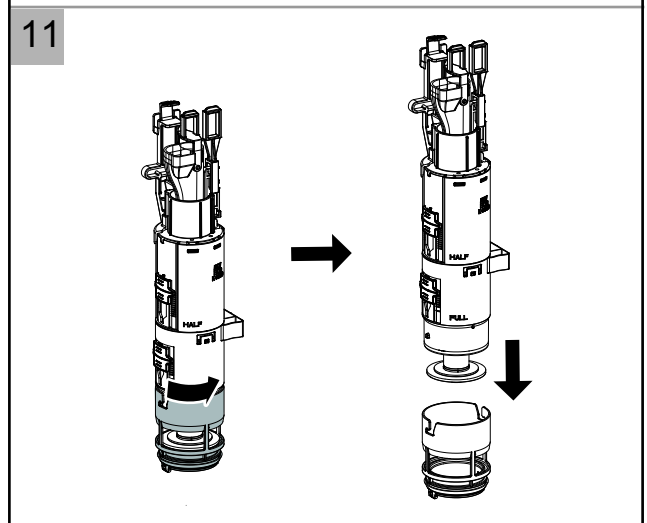
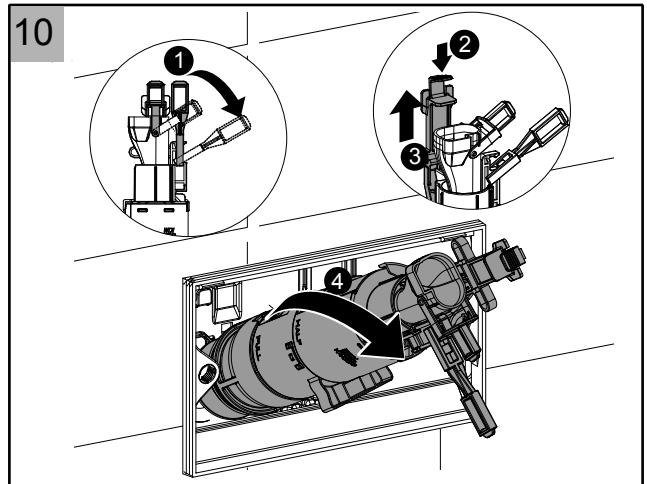
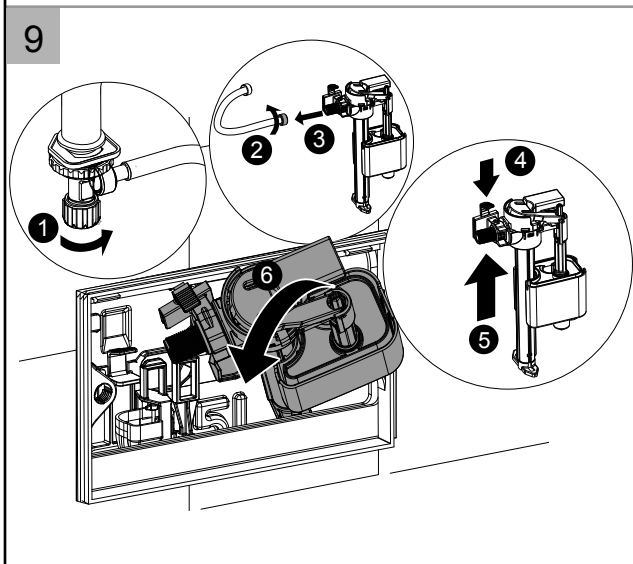
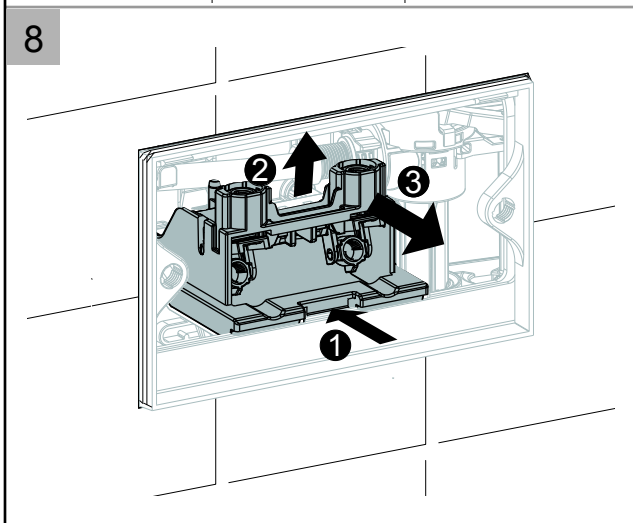
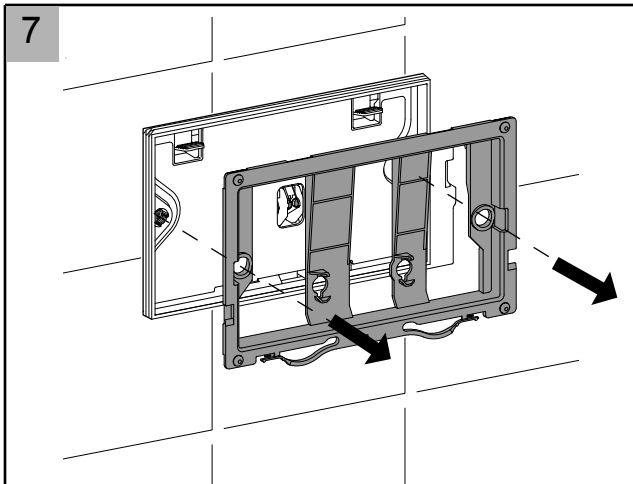


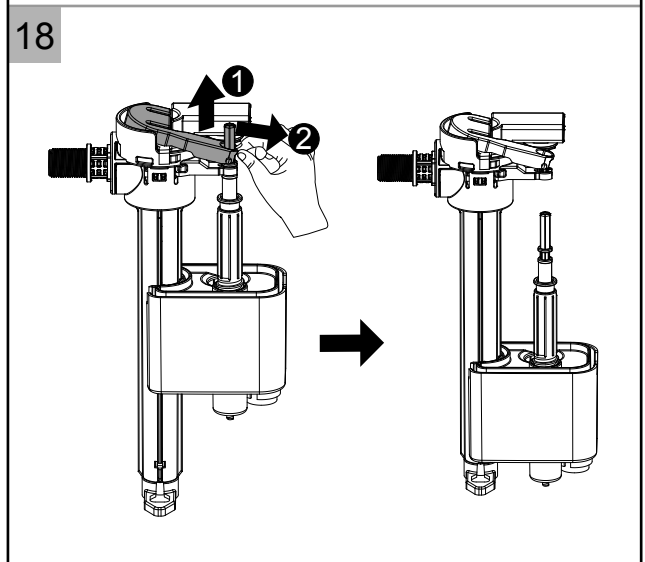
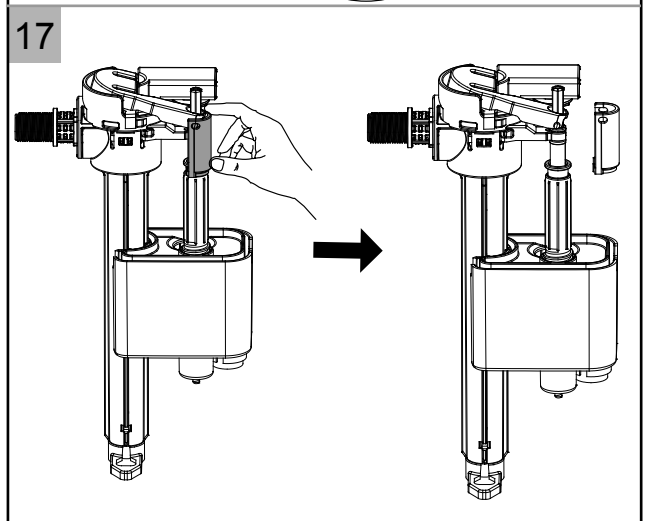
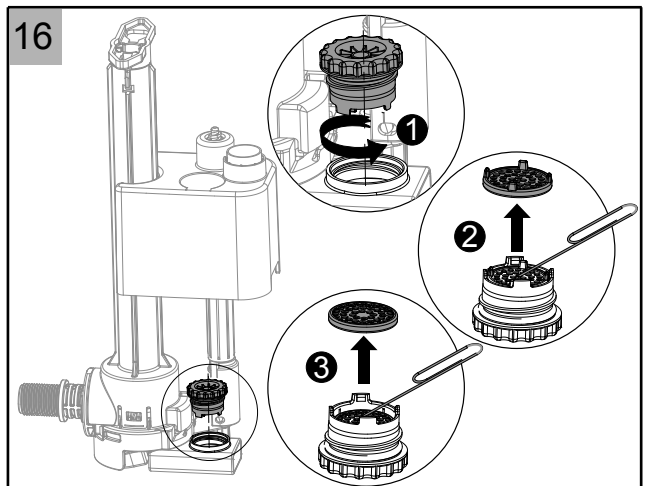
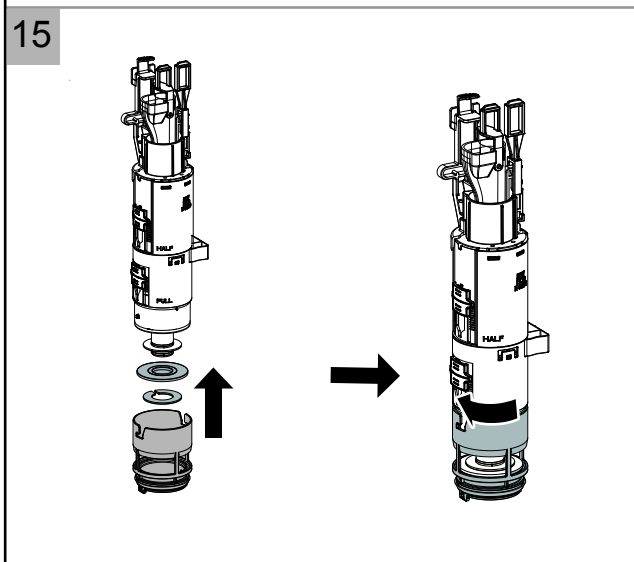
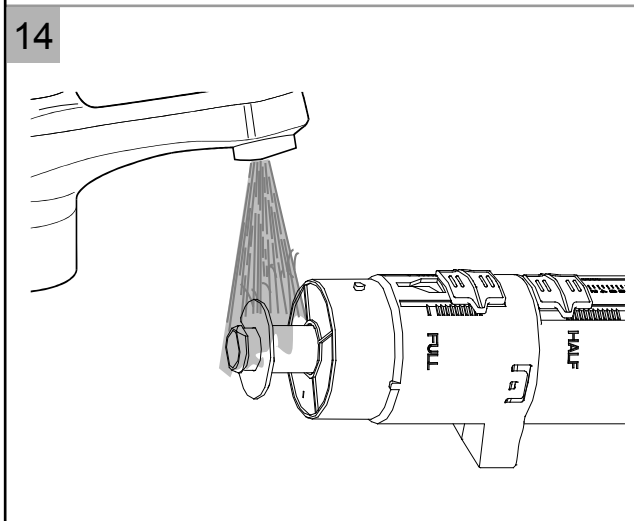
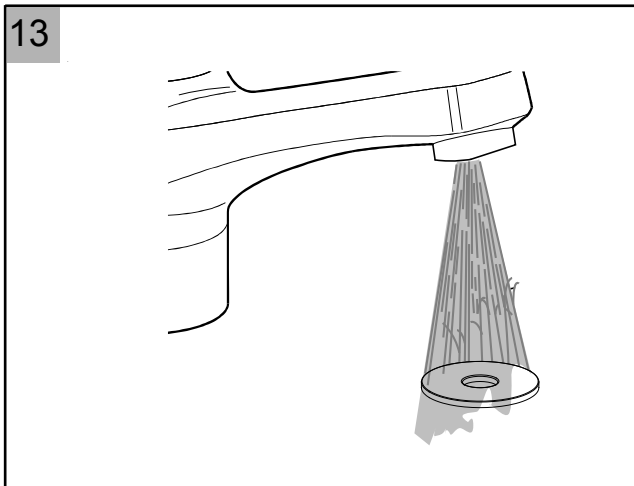
Maintenance for Concealed Cisterns



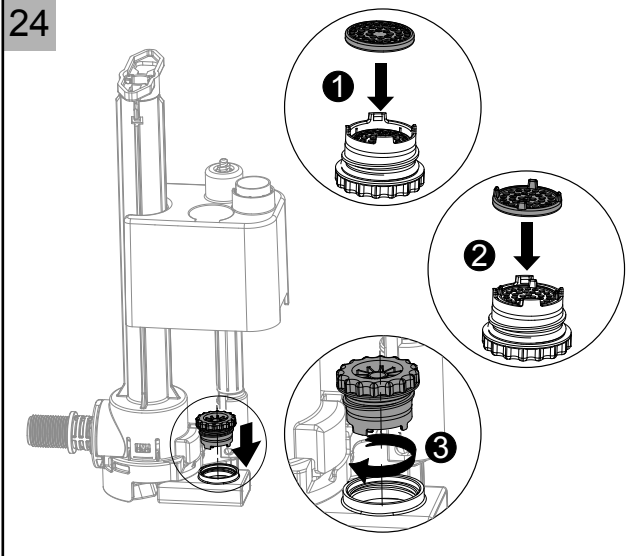
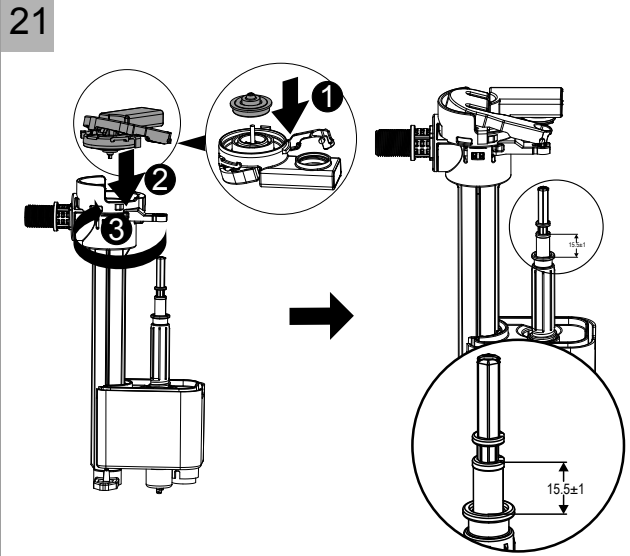
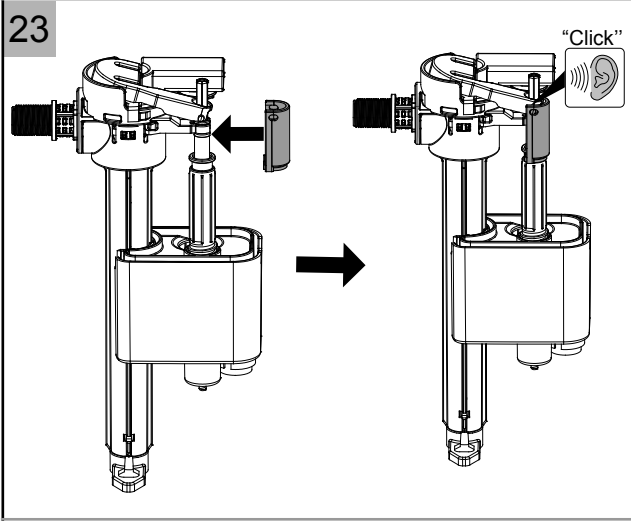
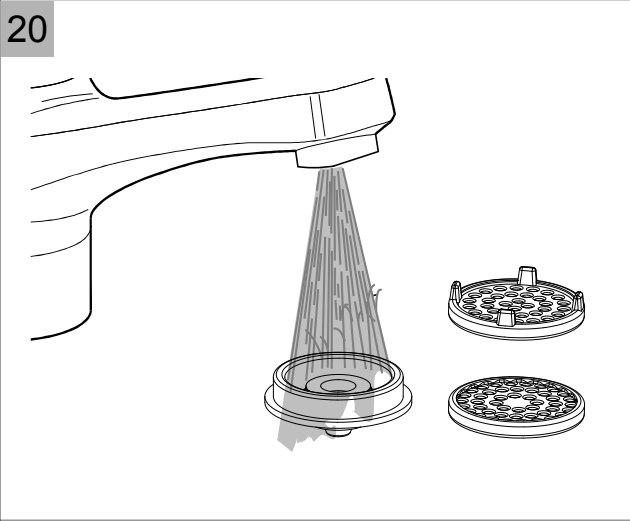
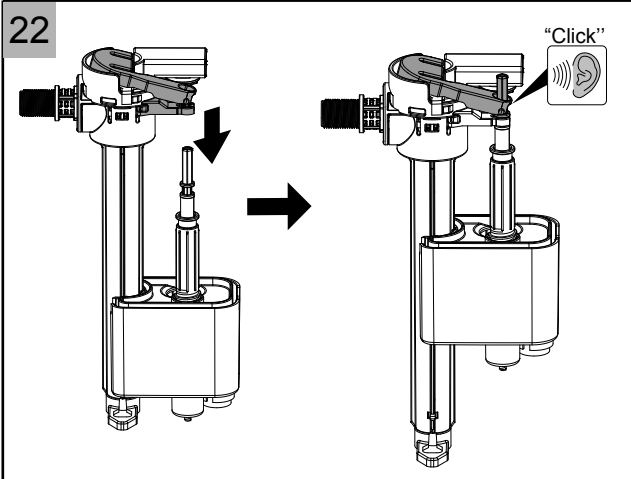
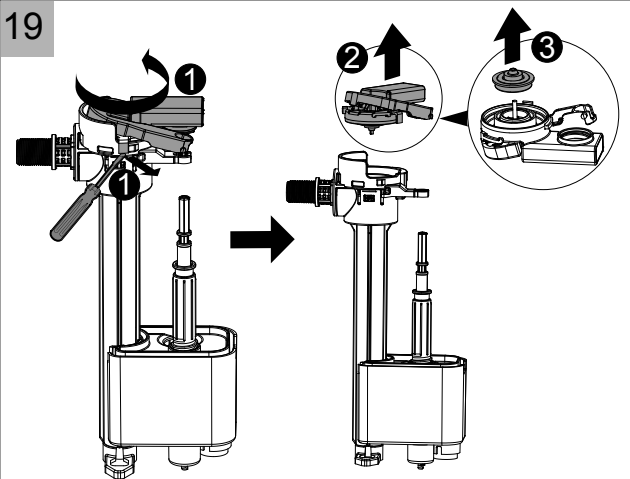
Maintenance for Concealed Cisterns



Maintenance for Concealed Cisterns



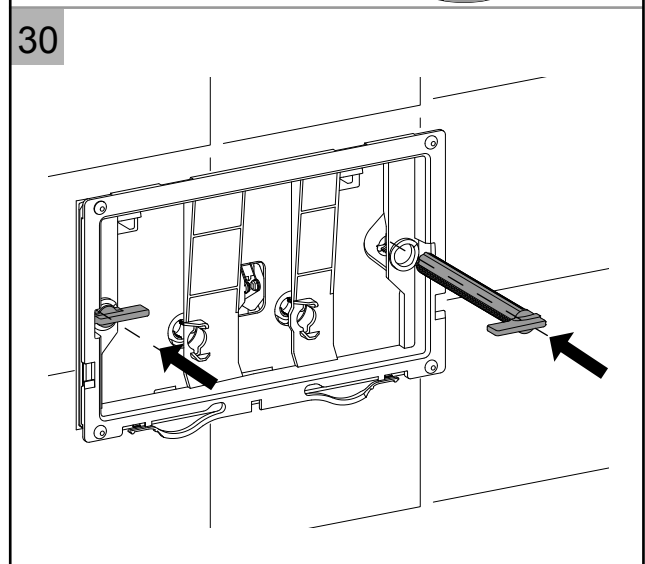
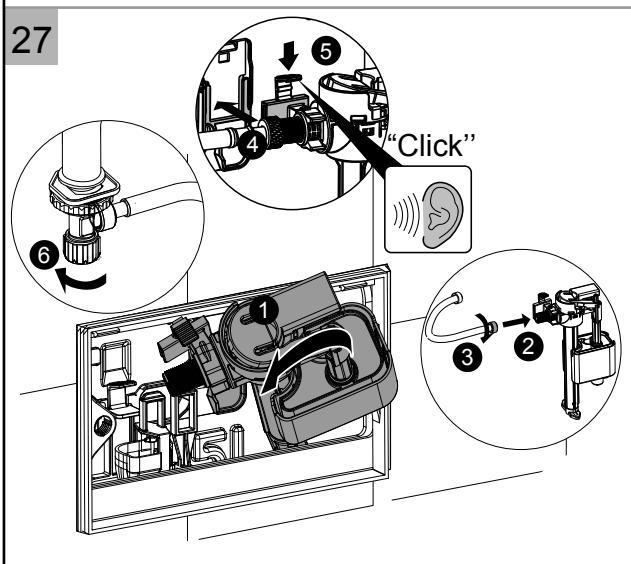
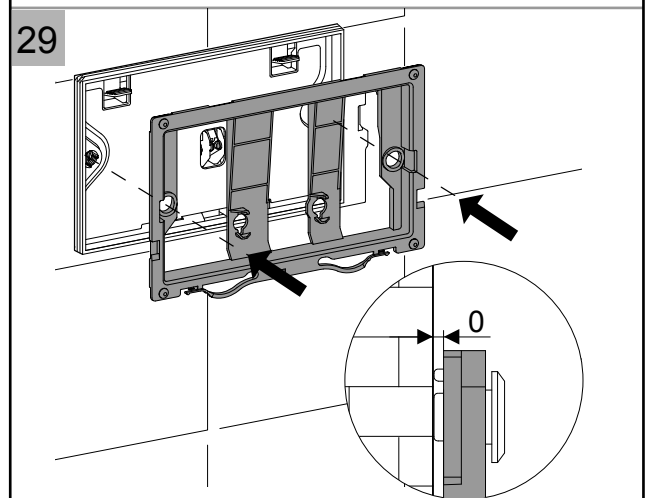
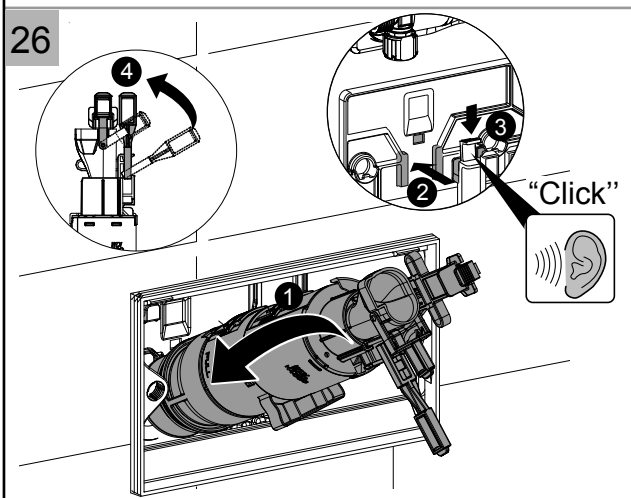
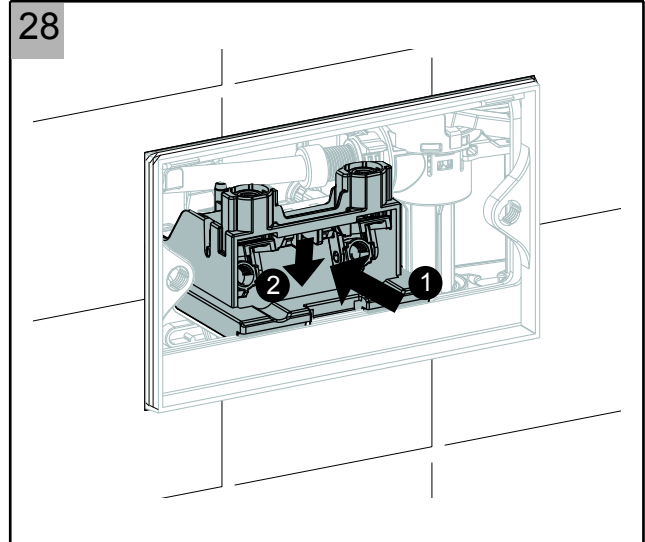
Maintenance for Concealed Cisterns



Maintenance for Concealed Cisterns

25

Vol.	Pos.	A	B	C [mm]
6 / 3 l	2	12	66+/-1	
5 / 3 l	7	12	72+/-1	
6 / 3 l (WRAS)	4	12	66+/-1	



Maintenance for Concealed Cisterns

