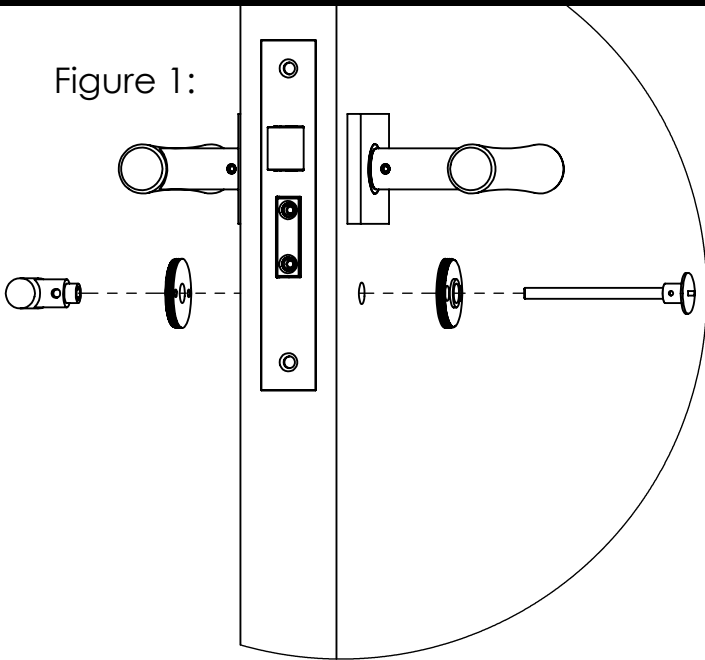
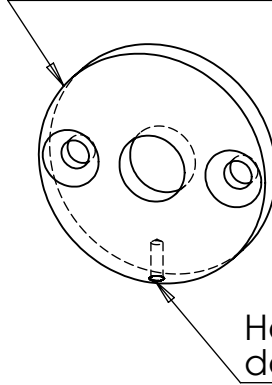


Elements, fitting instructions for Bathroom Turn and Release

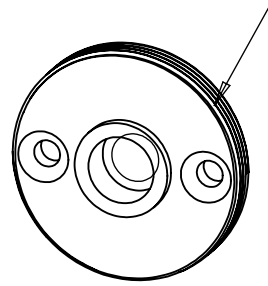
Figure 1:



Hex Screw Sub Rose, Suitable for square Rose.

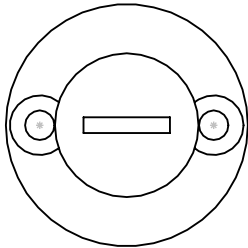


Threaded Sub Rose, Suitable for Round Rose.



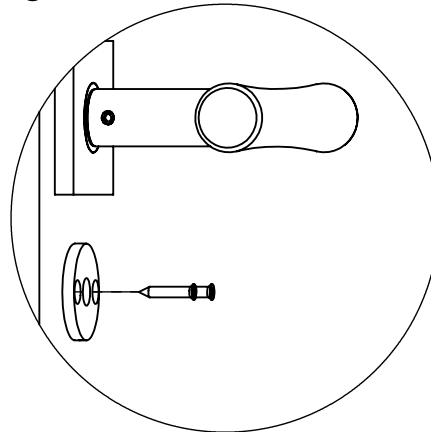
- To ensure correct alignment of the Sub Rose; insert the Spindle through both Sub Roses as shown in Figure 1
- Place the Turn onto the Spindle
- Make sure that both Sub Roses are sitting flush on the door

Figure 2:

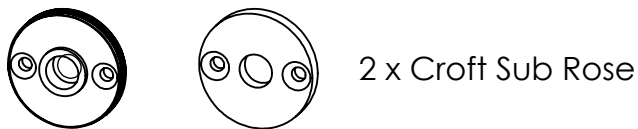


- Whilst on the door, ensure the screw hole positions on the Sub Rose are horizontal. This step is especially important to assure the Square Rose lies parallel
- Mark the position of the screw holes on the door

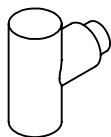
Figure 3:



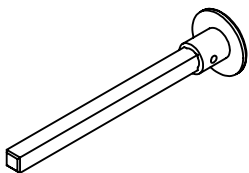
- Remove the Spindle and Turn
- Screw the Sub Rose onto the door using the Wood Screws provided



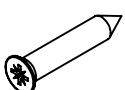
2 x Croft Sub Rose



1 x Turn

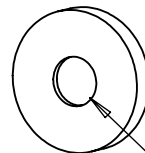


1 x 5mm Spindle & Release

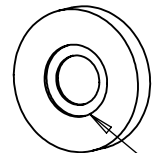
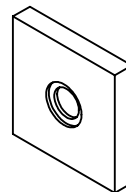


4 x (6 x 3/4) Pozi Wood Screws

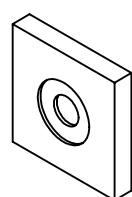
Figure 4:



Turn



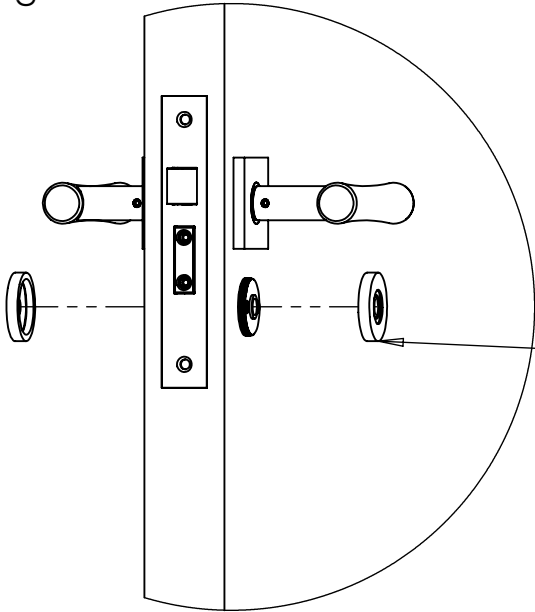
Release



- For the next step The correct Rose should be used for each side of the door depending on setup of door. Please note above.

For Round Rose:

Figure 5:



- For Square Rose, secure the Rose and Sub Rose using the Screws and 1.3mm Allen Key provided
- For Round Rose, simply thread the Rose onto the Sub Rose, until firmly secured onto the door

For Square Rose:

Figure 6:

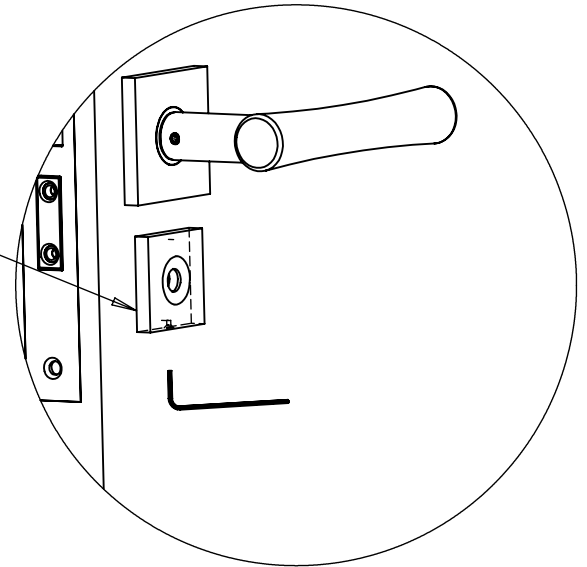


Figure 7:

- Place The Washer onto the Release Rose and insert spindle through.

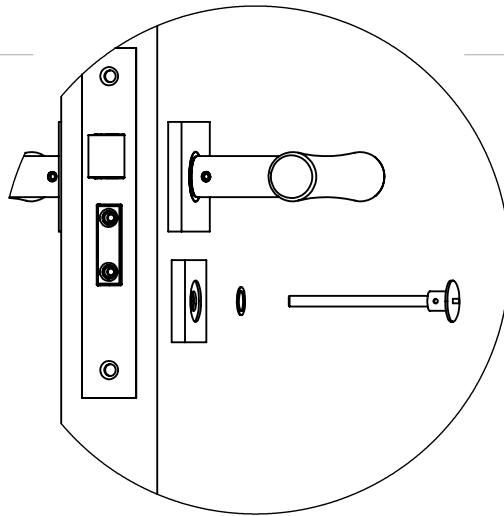
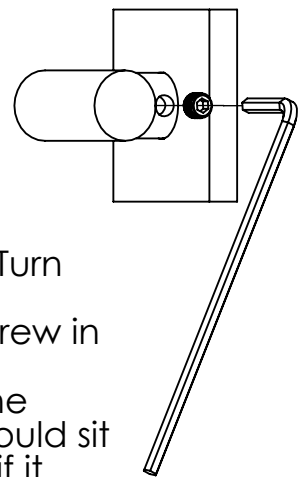


Figure 8:



- Place washer onto Turn Rose
- Loosen the Grub Screw in the Turn
- Place the Turn on the Spindle. The Turn should sit flush with the Rose, if it doesn't, cut the Spindle to suit
- Using the M5 Allen Key provided, screw in the Grub Screw tight and as a final check, ensure free movement of the bolt.

