

EXTRACTOR HOOD

VL414115



You can find additional information and explanations online.
Scan the QR code on the title page.



Table of contents

INFORMATION FOR USE

1 Safety	2	10 Connecting the extractor hood to the hob	13
2 Avoiding material damage	4	11 Basic settings	14
3 Environmental protection and saving energy	4	12 Cleaning and servicing	15
4 Operating modes	5	13 Troubleshooting	17
5 Familiarising yourself with your appliance	5	14 Customer Service	18
6 Accessories	6	15 Disposal	18
7 Before using for the first time	6	16 Declaration of Conformity	19
8 Basic operation	7	17 INSTALLATION INSTRUCTIONS	19
9 Home Connect	8	17.3 Secure installation	20

1 Safety

Observe the following safety instructions.

1.1 General information

- Read this instruction manual carefully.
- Keep the instruction manual and the product information safe for future reference or for the next owner.
- Do not connect the appliance if it has been damaged in transit.

1.2 Intended use

This appliance is designed only to be built into kitchen units. Read the special installation instructions.

The appliance can only be used safely if it is correctly installed according to the safety instructions. The installer is responsible for ensuring that the appliance works perfectly at its installation location.

Only use this appliance:

- For extracting cooking vapour.
- in private households and in enclosed spaces in a domestic environment.
- Up to an altitude of 4000 m above sea level.

Do not use the appliance:

- With an external timer.
- To extract hazardous or explosive substances and vapours.
- To extract small parts and liquids.

1.3 Restriction on user group

This appliance may be used by children aged 8 or over and by people who have reduced physical, sensory or mental abilities or inadequate experience and/or knowledge, provided that they are supervised or have been instructed on how to use the appliance safely and have understood the resulting dangers.

Do not let children play with the appliance. Children must not perform cleaning or user maintenance unless they are at least 15 years old and are being supervised.

Keep children under the age of 8 years away from the appliance and power cable.

1.4 Safe use

WARNING – Risk of fire!

The extractor hood may draw in the flame from gas burners.

The grease deposits in the grease filter may catch fire. Small flames may go out.

- ▶ If you are operating the extractor hood next to a gas-fired appliance, fit the ventilation moulding on the gas-fired appliance. The ventilation moulding prevents the extractor hood from drawing in flames.

Fatty deposits in the grease filters may catch fire.

- ▶ Never operate the appliance without a grease filter.
- ▶ Clean the grease filters regularly.
- ▶ Never work with naked flames close to the appliance (e.g. flambéing).
- ▶ Do not install the appliance near a solid fuel heating appliance (e.g. wood- or coal-burning) unless the heating appliance has a sealed, non-removable cover. There must be no flying sparks.

Hot oil and fat ignites very quickly.

- ▶ Always supervise hot oil and fat.
- ▶ Never extinguish burning oil or fat with water. Switch off the hotplate. Extinguish flames carefully using a lid, fire blanket or something similar and leave to cool down.

Fatty deposits in the grease filters may catch fire.

- ▶ Clean the grease filters regularly.

⚠ **WARNING – Risk of suffocation!**

Children may put packaging material over their heads or wrap themselves up in it and suffocate.

- ▶ Keep packaging material away from children.
- ▶ Do not let children play with packaging material.

Children may breathe in or swallow small parts, causing them to suffocate.

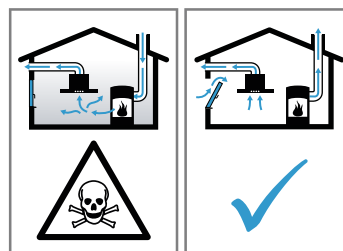
- ▶ Keep small parts away from children.
- ▶ Do not let children play with small parts.

⚠ **WARNING – Risk of poisoning!**

Risk of poisoning from flue gases being drawn back in. Room-air-dependent heat-producing appliances (e.g. gas, oil, wood or coal-operated heaters, continuous flow heaters or water heaters) obtain combustion air from the room in which they are installed and discharge the exhaust gases into the open through an exhaust gas system (e.g. a chimney). With the extractor hood switched on, air is extracted from the kitchen and the adjacent rooms.

Without an adequate supply of air, the air pressure falls below atmospheric pressure. Toxic gases from the chimney or the extraction shaft

are sucked back into the living space.



- ▶ Always ensure adequate fresh air in the room if the appliance is being operated in exhaust air mode at the same time as a room-air-dependent heat-producing appliance is being operated.
- ▶ It is only possible to safely operate the appliance if the pressure in the room in which the heating appliance is installed does not fall below 4 Pa (0.04 mbar). This can be achieved whenever the air needed for combustion is able to enter through openings that cannot be sealed, for example in doors, windows, incoming/exhaust air wall boxes or by other technical means. An incoming/exhaust air wall box alone is not sufficient to ensure compliance with the limit.
- ▶ In any case, consult your responsible chimney sweep. They are able to assess the house's entire ventilation setup and will suggest the suitable ventilation measures to you.

Using a gas cooking appliance leads to a build-up of heat, moisture and combustion products in the room where the appliance is installed.

- ▶ Switch on the extractor hood when using a gas cooking appliance.

⚠ **WARNING – Risk of burns!**

The accessible parts of the appliance become hot during operation.

- ▶ Never touch these hot parts.
 - ▶ Keep children at a safe distance.
- The appliance becomes hot during operation.
- ▶ Allow the appliance to cool down before cleaning.

⚠ **WARNING – Risk of injury!**

Components inside the appliance may have sharp edges.

- ▶ Carefully clean the appliance interior. Changes to the electrical or mechanical assembly are dangerous and may lead to malfunctions.
- ▶ Do not make any changes to the electrical or mechanical assembly.

Improper repairs are dangerous.

- ▶ Repairs to the appliance should only be carried out by trained specialist staff.
- ▶ If the appliance is defective, call Customer Service.
→ "Customer Service", Page 18

⚠ WARNING – Risk of electric shock!

If the appliance or the power cord is damaged, this is dangerous.

- ▶ Never operate a damaged appliance.
- ▶ Never pull on the power cord to unplug the appliance. Always unplug the appliance at the mains.
- ▶ If the appliance or the power cord is damaged, immediately unplug the power cord or switch off the fuse in the fuse box.
- ▶ Call customer service. → Page 18

Improper repairs are dangerous.

- ▶ Repairs to the appliance should only be carried out by trained specialist staff.
- ▶ Only use genuine spare parts when repairing the appliance.
- ▶ If the power cord or the appliance power cable of this appliance is damaged, it must be replaced with a special power cord or

special appliance power cable, which is available from the manufacturer or its Customer Service.

- ▶ If the power cord of this appliance is damaged, it must be replaced by trained specialist staff.

An ingress of moisture can cause an electric shock.

- ▶ Before cleaning, pull out the mains plug or switch off the fuse in the fuse box.
- ▶ Do not use steam- or high-pressure cleaners to clean the appliance.

Penetrating moisture may cause an electric shock.

- ▶ Do not use wet sponge cloths.

⚠ WARNING – Risk of explosion!

Highly caustic alkaline or highly acidic cleaning agents in conjunction with aluminium parts in the interior of the appliance may cause explosions.

- ▶ Never use highly caustic alkaline or highly acidic cleaning agents. In particular, do not use commercial or industrial cleaning agents in conjunction with aluminium parts, e.g. grease filter on extractor hoods.

2 Avoiding material damage

ATTENTION

Condensate may cause corrosion damage.

- ▶ To prevent condensation from building up, switch on the appliance during cooking.

If moisture gets into the controls, this may result in damage.

- ▶ Never clean controls with a wet cloth.

3 Environmental protection and saving energy

3.1 Disposing of packaging

The packaging materials are environmentally compatible and can be recycled.

- ▶ Sort the individual components by type and dispose of them separately.

3.2 Saving energy

If you follow these instructions, your appliance will use less power.

Adjust the fan speed to the amount of steam produced during cooking.

- ✓ The lower the fan speed, the less energy is consumed.

- ✓ Only use the intensive mode as required.

If cooking produces large amounts of steam, select a higher fan speed in good time.

- ✓ The odours are distributed around the room less.

Clean or replace the filters at regular intervals.

- ✓ The effectiveness of the filter is retained.

Put the cooking lid on.

- ✓ The cooking vapours and condensation are reduced.

Only use the additional functions if required.

- ✓ Switching off additional functions reduces power consumption.

You can find product information in accordance with (EU) 65/2014 and (EU) 66/2014 below the energy label and online on the product page for your appliance.

4 Operating modes

You can use your appliance in air extraction mode or circulating-air mode.

4.1 Air extraction mode

The air which is drawn in is cleaned by the grease filters and conveyed to the exterior by a pipe system.



The air must not be discharged into a flue that is used for exhausting fumes from appliances burning gas or other fuels (not applicable to appliances that only discharge the air back into the room).

- If the exhaust air is to be conveyed into a non-functioning smoke or exhaust gas flue, you must obtain the consent of the heating engineer responsible.
- If the exhaust air is conveyed through the external wall, a telescopic duct should be used.

4.2 Air recirculation

The air which is drawn in is cleaned by the grease filters and an odour filter, and conveyed back into the room.



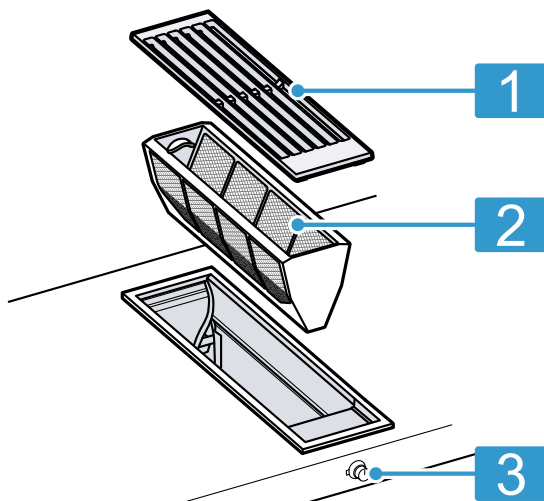
To bind odours in air recirculation mode, you must install an odour filter. The different options for operating the appliance in air circulation mode can be found in our catalogue. Alternatively, ask your dealer. The required accessories are available from specialist retailers, from our after-sales service or from the online shop.

Note: When cooking intensively and for a long time, moisture is released into the air in the room. When using the appliance in air recirculation mode, we recommend ventilating the kitchen adequately, e.g. by briefly opening a window to remove excessive moisture.

5 Familiarising yourself with your appliance

5.1 Appliance

You can find an overview of the parts of your appliance here.



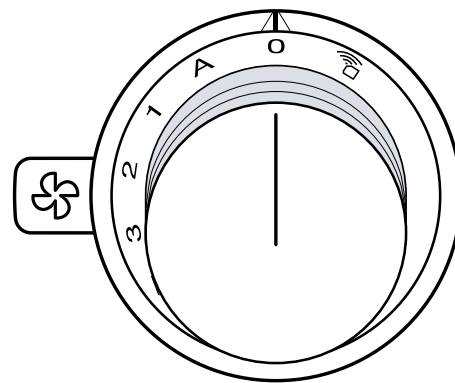
1 Ventilation grille

2 Grease filter

3 Control knob

5.2 Control knob

You use the control knob to configure the settings on your appliance and obtain information about the operating status.



Home Connect Establishing a connection

0 Switching off the appliance

A Switching on automatic mode

1 Switching on fan level 1

2 Switching on fan level 2

3 Switching on fan level 3

>> Switch on intensive mode.

Switching on interval ventilation

Resetting the saturation indicator

5.3 Indicator on the illuminated ring

The control knob has an illuminated ring with various display functions.

The illuminated ring on the control knob lights up orange during operation. You can choose between two

colour shades. If you have several appliances installed next to each other, you can change the shades in the settings for the appliances so that all of the illuminated rings light up in the same shade.

→ "Basic settings", Page 14

Indicator	Name
Off	Appliance OFF
Lights up: Orange	Appliance ON
Appliance switched off, slowly flashes: White (three times)	Grease filter saturation indicator
Appliance switched off, quickly flashes: White (six times)	Odour filter saturation indicator (in air recirculation mode only)
Switch off appliance, slowly flashes: Orange	Fan run-on
Light up: Blue	Home Connect
Flash: Blue	Home Connect, appliance is connected to the home network
Flashing alternately: Orange and white	Safety switch-off function, power failure

Indicator	Name
Flashing alternately: Yellow and magenta	Appliance fault. Call customer service.
Lights up: Green for a few seconds, then turns yellow	The appliance is initialising during initial connection or following a power failure

5.4 Ventilation moulding

If the extractor hood is operating beside a gas appliance, you must fit the ventilation moulding onto the gas appliance during cooking. The ventilation moulding improves the extraction behaviour of gas appliances. The ventilation moulding prevents small flames from being extinguished by the draught of air.

WARNING – Risk of fire!

The extractor hood may draw in the flame from gas burners.

The grease deposits in the grease filter may catch fire. Small flames may go out.

- ▶ If you are operating the extractor hood next to a gas-fired appliance, fit the ventilation moulding on the gas-fired appliance. The ventilation moulding prevents the extractor hood from drawing in flames.

6 Accessories

Use original accessories. These have been made especially for your appliance.

Accessories	Order number
Ventilation moulding for operation beside a VG415/425 gas appliance	AA414010

7 Before using for the first time

Clean the appliance and accessories.

7.1 Colour shades of the illuminated rings

The illuminated ring on the control knob lights up orange during operation. You can choose between two colour shades.

If you have several appliances installed next to each other, you can change the shades in the basic settings for the appliances so that all of the illuminated rings light up in the same shade.

→ "Basic settings", Page 14

7.2 Setting regenerable odour filters

Note: The regenerable odour filter is available as a special accessory for air recirculation.

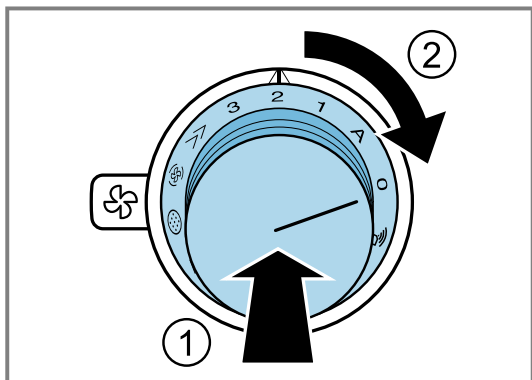
Requirements

- Your appliance is equipped with a regenerative odour filter.
- Your appliance is connected to the Home Connect app.
 - "Home Connect ", Page 8
- ▶ Set the filter type in the Home Connect app.

8 Basic operation

8.1 Switching on the appliance

- ▶ Push in the control knob and turn it clockwise to the fan setting you require.



- ✓ The illuminated ring on the control knob lights up orange.

8.2 Switching off the appliance

- ▶ Turn the control knob anti-clockwise to 0. If the fan run-on is activated, the appliance continues to run for a short time after it is switched off.
→ "Fan run-on", Page 7

8.3 Sensor control

In automatic mode, a sensor in the appliance detects the intensity of the cooking and roasting fumes. Depending on the setting of the sensor sensitivity, the optimum fan setting is automatically switched on. If the sensor control system reacts too weakly or too strongly, the setting for the sensor sensitivity may change.

- Factory setting: 2
- Lowest setting: 1
- Highest setting: 4

You can change the sensitivity of the sensor in the Home Connect app.

Switching on automatic mode

The optimum fan setting is set automatically using a sensor.

- ▶ Push in the control knob and turn it one notch clockwise to A.
- ✓ Automatic mode is activated.
- ✓ Using the sensor, the appliance automatically switches on the optimum fan setting 1, 2, 3 or the intensive mode.
- ✓ The illuminated ring on the control knob lights up orange while the ventilation system is switched on.

Switching off automatic mode

Note: If the sensor no longer detects odours, the appliance selects the lowest fan setting. The appliance switches off the ventilation system after 20 minutes in air recirculation mode and after 6 minutes in air extraction mode.

- ▶ Turn the control knob one notch anti-clockwise to 0.

8.4 Switching on intensive mode

If particularly strong odours or vapours develop, you can use intensive mode.

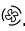
- ▶ Push in the control knob and turn it five notches clockwise to >>.
- ✓ After approx. 6 minutes, the appliance automatically switches to fan setting 3.

8.5 Switching off intensive mode

- ▶ Turn the control knob five notches anti-clockwise to 0.

8.6 Switching on interval ventilation

With interval ventilation, the ventilation switches on at fan setting 1 for approx. 6 minutes every hour.


- ▶ Push in the control knob and turn it clockwise to .
- ✓ The illuminated ring on the control knob will be lit orange while the ventilation system is switched on.

8.7 Switching off interval ventilation

- ▶ Turn the control knob six notches anti-clockwise to 0.

8.8 Using Home Connect to set the appliance

You can set the appliance via the Home Connect app and via a hob using the Home Connect app.

1. Set up the Home Connect app.
→ "Home Connect", Page 8
2. Establish the connection to the hob.
→ "Connecting the extractor hood to the hob", Page 13
3. Push in the control knob and turn it one notch anti-clockwise to .

8.9 Fan run-on

During the fan run-on, the appliance continues running at a lower fan setting for a short time after switch-off and then switches off automatically. The appliance switches off the ventilation system after 20 minutes in air recirculation mode and after 6 minutes in air extraction mode. The fan run-on reduces condensation in the appliance. While the ventilation system is switched on, the illuminated ring on the control knob slowly flashes orange. The fan run-on only starts in air recirculation mode and if the appliance has been switched on for at least 2 minutes.

In automatic mode, the fan run-on starts in air recirculation mode and in air extraction mode.

You can change the settings for the fan run-on in the Home Connect app.

Switching off the fan run-on early

1. Turn the control knob to A.
 2. Turn the control knob to 0.
- ✓ The appliance switches off the fan run-on early.

8.10 Resetting the saturation indicator

After cleaning the grease filter or after changing the odour filter, the saturation indicator can be reset.

Note: When using a regenerative odour filter, set the filter type in the Home Connect app.

Requirement: After the appliance has been switched off, the illuminated ring on the control knob flashes white slowly three times for the grease filter saturation indicator or flashes white rapidly six times for the odour filter saturation indicator.

1. Push in the control knob and turn it seven notches clockwise to 0.
- ✓ The illuminated ring on the control knob flashes white three times. The saturation indicator is reset.
2. Turn the control knob another seven notches anti-clockwise to 0.

9 Home Connect

This appliance can be networked. You can send settings to the appliance via a mobile device. The Home Connect services are not available in every country. The availability of the Home Connect function depends on the availability of Home Connect services in your country. You can find information about this at: www.home-connect.com.

The Home Connect app guides you through the entire login process. Follow the instructions in the Home Connect app to configure the settings.

Tip: Please also follow the instructions in the Home Connect app.

Notes

- Please note the safety precautions in this instruction manual and make sure that they are also observed when operating the appliance via the Home Connect app.
→ "Safety", Page 2
- Operating the appliance on the appliance itself always takes priority. During this time it is not possible to operate the appliance using the Home Connect app.
- In networked standby mode, the appliance requires a maximum of 2 W.
- If you need your device's MAC address to connect to your home network, you can find this next to the rating plate. → Page 18

9.1 Setting up Home Connect

Requirements

- The appliance is connected to the power supply and is switched on.
- You have a mobile device with a current version of the iOS or Android operating system, e.g. a smartphone.
- The appliance is receiving signals from the WLAN home network (Wi-Fi) at its installation location.
- The mobile device and the appliance are within range of your home network's Wi-Fi signal.

1. Scan the following QR code.



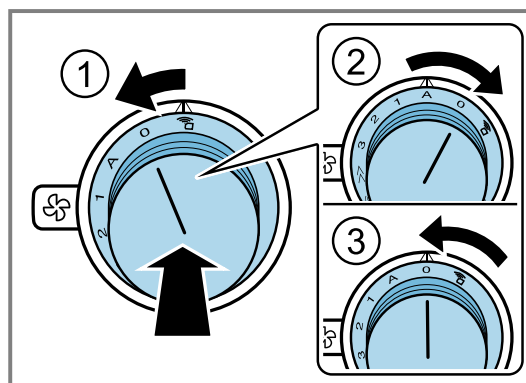
You can install the Home Connect app and connect your appliance via the QR code.

2. Follow the instructions in the Home Connect app.

9.2 Opening or closing the Home Connect settings menu

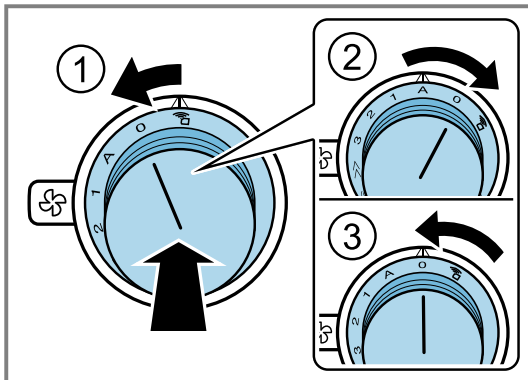
In the Home Connect settings menu, you can connect your appliance to Home Connect and implement the settings for connecting to the Wi-Fi home network.

1. Push the control knob in. While the control knob is pushed in, carry out the following steps without interruption:
 - ▶ Turn one notch anti-clockwise to 0 ①.
 - ▶ Turn the control knob two notches clockwise to A ②.
 - ▶ Turn the control knob one notch anti-clockwise to 0 ③.



- ✓ The illuminated ring on the control knob lights up blue.
2. In order to implement a setting, turn the control knob to the required position.
→ "Overview of the Home Connect settings", Page 9

3. To save the setting, exit the Home Connect settings menu in the same way.
- ▶ Turn one notch anti-clockwise to ①.
 - ▶ Turn the control knob two notches clockwise to A ②.
 - ▶ Turn the control knob one notch anti-clockwise to 0 ③.



Displays on the illuminated ring on the control knob

The following displays on the illuminated ring are possible in conjunction with Home Connect.

Display	Meaning
Light up: Blue	You are in the Home Connect menu.
Flash: Blue	The appliance is establishing a connection to the home network.
Light up: Green	The appliance has established a connection to the home network.
Light up: Red	The appliance was unable to establish a connection to the home network.

9.3 Changing the Home Connect settings

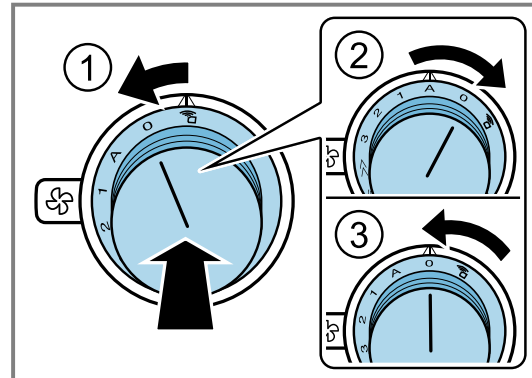
In the Home Connect settings menu, you can connect your appliance to Home Connect and implement the setting for connecting to the Wi-Fi home network.

9.4 Overview of the Home Connect settings

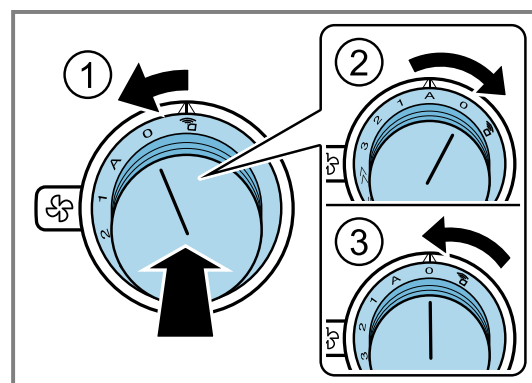
In the Home Connect settings, you can adjust settings and network settings for Home Connect.

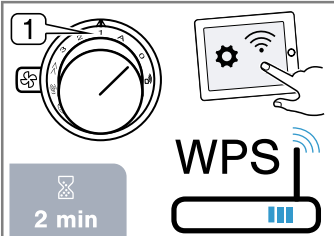
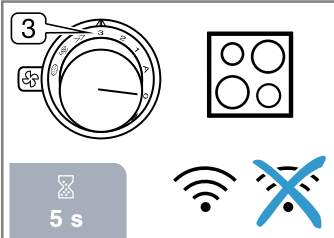
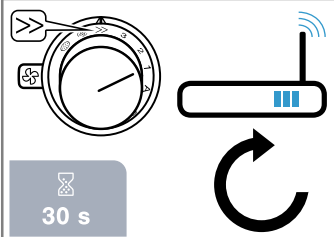
Knob position	Setting	Use
	Manual login in the Wi-Fi home network	To log in manually, you require the network name (SSID) and password (key) for your Wi-Fi home network. On your mobile device, the Home Connect Wi-Fi connection is available for approximately 20 minutes.

1. Push the control knob in. While the control knob is pushed in, carry out the following steps without interruption:
- ▶ Turn one notch anti-clockwise to ①.
 - ▶ Turn the control knob two notches clockwise to A ②.
 - ▶ Turn the control knob one notch anti-clockwise to 0 ③.




- ✓ The illuminated ring on the control knob lights up blue.
2. In order to implement a setting, turn the control knob to the required position.
→ "Overview of the Home Connect settings", Page 9
3. To save the setting, exit the Home Connect settings menu in the same way.
- ▶ Turn one notch anti-clockwise to ①.
 - ▶ Turn the control knob two notches clockwise to A ②.
 - ▶ Turn the control knob one notch anti-clockwise to 0 ③.



Knob position	Setting	Use
	Automatic login in the Wi-Fi home network	Login to the Wi-Fi home network with a WPS-enabled router
	Switching LAN or Wi-Fi on or off	You can switch off the LAN or Wi-Fi on your appliance at any time (e.g. to save energy during a holiday). The connections to the home network and to the hob remain saved. When you switch the LAN or Wi-Fi back on, the saved connections are applied.
	Resetting the Home Connect connection	You can delete all of the settings for Home Connect, e.g. if you have new access data for your router.

9.5 Manual registration in the home network

Note: To log in to the home network (Wi-Fi) manually, you require the network name (SSID) and password (key) for your home network.

- Turn the control knob clockwise to A.
 - After approx. 5 seconds, the illuminated ring on the control knob flashes blue and yellow alternately.
 - The appliance is in manual mode.
- Switch to the general settings menu of your mobile device and call up the Wi-Fi settings. On your mobile device, the Home Connect Wi-Fi connection is available for approximately 20 minutes.
- Connect to the Home Connect Wi-Fi connection. The password is: Home Connect.
- Launch the Home Connect app on your mobile device and follow the instructions for network login.
- Enter the password (key) of the home network.
 - Following successful connection to the router, the illuminated ring on the control knob lights up green for approx. 3 seconds.
 - The illuminated ring on the control knob flashes blue and white alternately. The appliance establishes the connection to the mobile device.
 - Once the illuminated ring around the control knob lights up green, the appliance is available in the app on the mobile device. If the illuminated ring around the control knob lights up red, it was not possible to establish a connection.
- To save the connection, exit the Home Connect settings menu.
 - "Opening or closing the Home Connect settings menu", Page 8
- After successfully connecting, push in the control knob and turn it anti-clockwise to . Otherwise, you will not be able to operate the appliance via the Home Connect app.

Connection to the router unsuccessful

- If a connection could not be established, check the router and turn the control knob to another position and then back to A.
 - The illuminated ring on the control knob lights up blue.
 - After approx. 5 seconds, the illuminated ring on the control knob flashes blue and yellow alternately.
- Switch to the general settings menu of your mobile device and start the Wi-Fi connection again.
- Check that the password has been entered correctly.

Connection to the mobile device unsuccessful

- If a connection could not be established, turn the control knob to another position and then back to A.
 - The illuminated ring on the control knob lights up blue.
 - After approx. 5 seconds, the illuminated ring on the control knob flashes blue and white.
- Launch the Home Connect app on your mobile device and follow the instructions for automatic network login.

Connecting more mobile devices to the same Home Connect account

- In the Home Connect app, you can connect more mobile devices to your appliance if required.

Connecting more mobile devices to another Home Connect account



Requirement: A mobile device is connected to the appliance. The appliance is in the Home Connect settings menu.

1. Turn the control knob to another position and then back to A.
 - ✓ The illuminated ring on the control knob flashes blue and white.
 - ✓ The appliance is ready to connect to another mobile device.
2. Launch the Home Connect app on your mobile device and follow the instructions for automatic network login.
 - ✓ Once the illuminated ring around the control knob lights up green, the appliance is available in the app on the mobile device.

9.6 Logging in to your home network automatically (WPS)

Requirement: You require a router that has WPS functionality. You will find information about this in the manual for your router. You require access to your router. If this is not the case, follow the steps in .

→ *"Manual registration in the home network", Page 10*

1. Push in the control knob and turn it two notches clockwise to 1.
 - ✓ During the connection process, the illuminated ring around the control knob flashes blue and yellow alternately.
2. Press the WPS button on the router within the next 2 minutes.
 - ✓ Following successful connection to the router, the illuminated ring on the control knob lights up green for approx. 3 seconds. The illuminated ring on the control knob then flashes blue and white alternately.
 - ✓ The appliance is ready to connect to your mobile device.
3. Launch the Home Connect app on your mobile device and follow the instructions for automatic network login.
 - ✓ Once the illuminated ring around the control knob lights up green, the appliance is available in the app on the mobile device.
 - ✓  lights up.
 - ✓ If the illuminated ring around the control knob lights up red, it was not possible to establish a connection.
4. To save the connection, exit the Home Connect settings menu.
 - *"Opening or closing the Home Connect settings menu", Page 8*
5. After successfully connecting, push in the control knob and turn it anti-clockwise to . Otherwise, you will not be able to operate the appliance via the Home Connect app.

Connection to the router unsuccessful

1. If a connection could not be established, check the router and turn the control knob to another position and then back to 1.
 - ✓ The illuminated ring on the control knob lights up blue.
 - ✓ After approx. 5 seconds, the illuminated ring on the control knob flashes blue and yellow alternately.
2. Switch to the general settings menu of your mobile device and start the Wi-Fi connection again.

Connection to the mobile device unsuccessful

1. If a connection could not be established, turn the control knob to another position and then back to 1.
 - ✓ The illuminated ring on the control knob lights up blue.
 - ✓ After approx. 5 seconds, the illuminated ring on the control knob flashes blue and white.
2. Launch the Home Connect app on your mobile device and follow the instructions for automatic network login.

Connecting more mobile devices to the same Home Connect account

- ▶ In the Home Connect app, you can connect more mobile devices to your appliance if required.

Connecting more mobile devices to another Home Connect account

Requirement: A mobile device is connected to the appliance. The appliance is in the Home Connect settings menu.


1. Turn the control knob to another position and then back to 1.
 - ✓ The illuminated ring on the control knob flashes blue and white.
 - ✓ The appliance is ready to connect to another mobile device.
2. Launch the Home Connect app on your mobile device and follow the instructions for automatic network login.
 - ✓ Once the illuminated ring around the control knob lights up green, the appliance is available in the app on the mobile device.

9.7 Exiting the Home Connect settings menu

1. Carry out the following operating steps without interruption.
2. Close the Home Connect settings menu.
 - *"Opening or closing the Home Connect settings menu", Page 8*
 - ✓ The illuminated ring on the control knob goes out.

9.8 Connecting the appliance to your home network (LAN)

Requirement: The appliance is connected to the home network using a LAN cable.

1. Connect the LAN cable (RJ45) to the router and the appliance.
2. Reset the Home Connect connections. → *Page 12*
3. Remain in the Home Connect settings menu.
4. Turn the control knob one notch clockwise to A.
 - ✓ The illuminated ring on the control knob flashes blue and white alternately.
5. Launch the Home Connect app on your mobile device and follow the instructions.
6. As soon as the network connection has been established, exit the Home Connect settings menu.
 - *"Switching Wi-Fi on or off", Page 12*
7. After successfully connecting, push in the control knob and turn it anti-clockwise to . Otherwise, you will not be able to operate the appliance via the Home Connect app.

9.9 Switching Wi-Fi on or off

Note: You can switch off the Wi-Fi on your extractor hood at any time (e.g. to save energy during a holiday). The connections to the home network and to the hob remain saved. When you switch the Wi-Fi back on, the saved connections are applied.

1. Carry out the following operating steps without interruption.
2. Open the Home Connect settings menu.
→ *"Opening or closing the Home Connect settings menu", Page 8*
- ✓ The illuminated ring on the control knob lights up blue.
3. Turn the control knob four notches clockwise to 3.
- ✓ The illuminated ring on the control knob lights up green.
- ✓ After approx. 5 seconds, the illuminated ring on the control knob flashes blue.
- ✓ After a few seconds, the illuminated ring on the control knob lights up blue.
- ✓ WiFi is deactivated.
4. Close the Home Connect settings menu.
→ *"Opening or closing the Home Connect settings menu", Page 8*
- ✓ The illuminated ring on the control knob goes out.
5. If you want to switch the Wi-Fi back on, work through the same operating sequence.
- ✓ The illuminated ring on the control knob lights up blue.
- ✓ After approx. 5 seconds, the illuminated ring on the control knob flashes blue and then lights up green.

9.10 Changing from LAN connection to Wi-Fi connection

1. Connect the extractor hood to the router (RJ45 cable).
2. Carry out the following operating steps without interruption.
3. Open the Home Connect settings menu.
→ *"Opening or closing the Home Connect settings menu", Page 8*
- ✓ The illuminated ring on the control knob lights up green.
4. Turn the control knob six notches clockwise to 6.
- ✓ After approx. 5 seconds, the illuminated ring on the control knob lights up blue.
- ✓ The connection is established via LAN.
5. Close the Home Connect settings menu.
→ *"Opening or closing the Home Connect settings menu", Page 8*
- ✓ The illuminated ring on the control knob goes out.

9.11 Changing from Wi-Fi connection to LAN connection

1. Carry out the following operating steps without interruption.
2. Open the Home Connect settings menu.
→ *"Opening or closing the Home Connect settings menu", Page 8*
- ✓ The illuminated ring on the control knob lights up green.

3. Turn the control knob six notches clockwise to 6.
- ✓ After approx. 5 seconds, the illuminated ring on the control knob lights up green.
- ✓ The connection is established via Wi-Fi.
4. Disconnect the connection between the extractor hood and the router (RJ45 cable).

9.12 Resetting the Home Connect connection

You can reset the connections you have saved on your home network and on the hob at any time.

1. Open the Home Connect settings menu.
→ *"Opening or closing the Home Connect settings menu", Page 8*
- ✓ The illuminated ring on the control knob lights up blue.
2. Turn the control knob clockwise to >>.
- ✓ After approx. 30 seconds, the illuminated ring on the control knob lights up green.
- ✓ The Home Connect settings have been reset. The appliance is no longer displayed in the Home Connect app.
3. Close the Home Connect settings menu.
→ *"Opening or closing the Home Connect settings menu", Page 8*
- ✓ The illuminated ring on the control knob goes out.

9.13 Software update

Your appliance's software can be updated using the software update function, e.g. for the purposes of optimisation, troubleshooting or security updates.

To do this, you must be a registered Home Connect user, have installed the app on your mobile device and be connected to the Home Connect server.

As soon as a software update is available, you will be informed via the Home Connect app and will be able to start the software update via the app. Once the update has been successfully downloaded, you can start installing it via the Home Connect app if you are in your home network (Wi-Fi). The Home Connect app informs you once installation is successful.

Notes

- The software update consists of two steps.
 - The first step is the download.
 - The second step is the installation on your appliance.
- You can continue to use your appliance as normal while updates are downloading. Depending on your personal settings in the app, software updates can also be set to download automatically.
- Installation takes a few minutes. You cannot use your appliance during installation.
- We recommend that you install security updates as soon as possible.

9.14 Remote diagnostics

Customer Service can use Remote Diagnostics to access your appliance if you contact them, have your appliance connected to the Home Connect server and if Remote Diagnostics is available in the country in which you are using the appliance.

Tip: For further information and details about the availability of Remote Diagnostics in your country, please visit the service/support section of your local website: www.home-connect.com.

9.15 Data protection

Please see the information on data protection.

The first time your appliance is registered on a home network connected to the Internet, your appliance will transmit the following types of data to the Home Connect server (initial registration):

- Unique appliance identification (consisting of appliance codes as well as the MAC address of the installed Wi-Fi communication module).

- Security certificate of the Wi-Fi communication module (to ensure a secure data connection).
- The current software and hardware version of your appliance.
- Status of any previous resetting to factory settings.

This initial registration prepares the Home Connect functions for use and is only required when you want to use the Home Connect functions for the first time.


Note: Please note that the Home Connect functions can only be utilised with the Home Connect app. Information on data protection can be retrieved in the Home Connect app.

10 Connecting the extractor hood to the hob

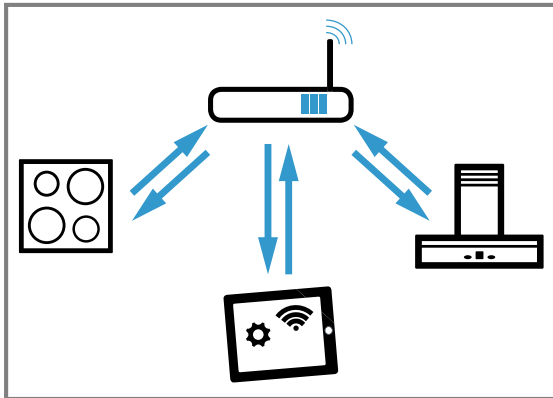
You can connect this appliance to a compatible hob and then control the functions of the extractor hood via your hob.

You can connect this appliance to one or two hobs. You cannot connect several extractor hoods to one hob. If both appliances are Home Connect-compatible, it is possible to connect them using the Home Connect app. Please observe the supplied Home Connect documents for doing this.

Notes

- Make sure you follow the safety instructions in the user manual for your hob and that these are complied with even when operating the appliance via the hood controls on the hob.
- Using the controls on the extractor hood always takes priority. It is not possible to use the hood controls on the hob during this time.
- Operation via the Home Connect app or via the hob is only possible if the control knob for the extractor hood is at position .
- You can only connect to the extractor hood via the Home Connect app.


If the appliances are connected to each other via your home network, both the hood controls on the hob and the Home Connect functions can be used to operate the appliance.



10.1 Setting up the connection via Home Connect

1. Open the Home Connect settings menu.
→ "Opening or closing the Home Connect settings menu", Page 8
2. Log in to the home network manually or automatically.
→ "Manual registration in the home network", Page 10
→ "Logging in to your home network automatically (WPS)", Page 11
3. Once the extractor hood is connected to the home network, you can connect to the hob via the Home Connect app. To do this, follow the instructions on your mobile device.

10.2 Connecting another hob to the extractor hood

1. Connect both hobs to Home Connect.
2. Connect the extractor hood to Home Connect.
3. In the Home Connect app, connect the first hob to the extractor hood.
4. In the Home Connect app, connect the second hob to the extractor hood.
5. Turn the control knob on the extractor hood to . Only then is operation via the hob possible.

11 Basic settings

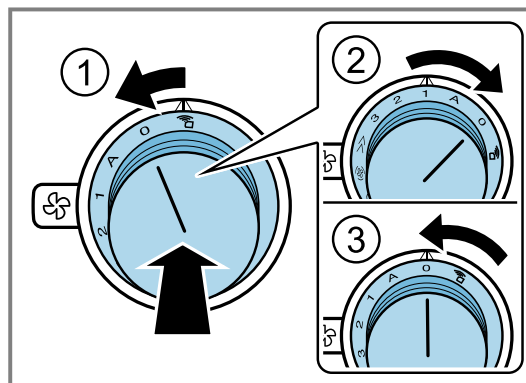
You can configure the basic settings for your appliance to meet your needs.

11.1 Opening the basic settings menu

1. Push the control knob in. While the control knob is pushed in, carry out the following steps without interruption:

- ▶ Turn one notch anti-clockwise to 0 ①.
- ▶ Turn the control knob three notches clockwise to 1 ②.

- ▶ Turn the control knob two notches anti-clockwise to 0 ③.



- ✓ The illuminated ring on the control knob lights up yellow.
- 2. Select the required setting using the control knob.
- ✓ After approx. 5 seconds, the illuminated ring on the control knob lights up green.
- 3. To change the setting, turn the control knob anti-clockwise to 0 and use the control knob to select the required setting.
- ✓ The illuminated ring on the control knob lights up yellow.
- 4. To save the settings, exit the basic settings menu → Page 14.

11.2 Overview of the basic settings

You can configure the basic settings for your appliance to meet your needs.

Control knob position	Function	Illuminated ring colour: Green	Illuminated ring colour: Yellow
A	Colour selection for the illuminated ring around the control knob	Orange ¹	Orange (dark)
1	Fan setting 1 during interval ventilation	Selected ¹	Not selected
2	Fan setting 2 during interval ventilation	Selected	Not selected ¹
3	Fan setting 3 during interval ventilation	Selected	Not selected ¹
>>	Fan run-on	Activated ¹	Deactivated
🔊	Noise reduction	Activated	Deactivated ¹

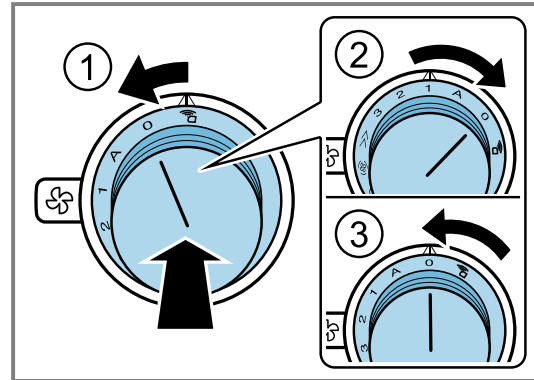
11.3 Exiting the basic settings menu

▶ Push the control knob in. While the control knob is pushed in, carry out the following steps without interruption:

- ▶ Turn one notch anti-clockwise to 0 ①.
- ▶ Turn the control knob three notches clockwise to 1 ②.

¹ Factory setting

- ▶ Turn the control knob two notches anti-clockwise to 0 ③.



- ✓ The illuminated ring on the control knob goes out.

12 Cleaning and servicing

To keep your appliance working efficiently for a long time, it is important to clean and maintain it carefully.

12.1 Cleaning the appliance

Clean the appliance as specified. This will ensure that the different parts and surfaces of the appliance are not damaged by incorrect cleaning or unsuitable cleaning products.

⚠ **WARNING – Risk of explosion!**

Highly caustic alkaline or highly acidic cleaning agents in conjunction with aluminium parts in the interior of the appliance may cause explosions.

- ▶ Never use highly caustic alkaline or highly acidic cleaning agents. In particular, do not use commercial or industrial cleaning agents in conjunction with aluminium parts, e.g. grease filter on extractor hoods.

⚠ **WARNING – Risk of electric shock!**

An ingress of moisture can cause an electric shock.

- ▶ Before cleaning, pull out the mains plug or switch off the fuse in the fuse box.
- ▶ Do not use steam- or high-pressure cleaners to clean the appliance.

⚠ **WARNING – Risk of burns!**

The appliance becomes hot during operation.

- ▶ Allow the appliance to cool down before cleaning.

⚠ **WARNING – Risk of injury!**

Components inside the appliance may have sharp edges.

- ▶ Carefully clean the appliance interior.

1. Observe the information regarding the cleaning agents.

→ "Cleaning products", Page 15

2. Clean as follows, depending on the surface:

- ▶ Clean stainless steel surfaces in the direction of the finish using a sponge cloth and hot soapy water.
- ▶ Clean aluminium using a soft cloth and glass cleaner.
- ▶ Clean plastic using a soft cloth and glass cleaner.

3. Dry with a soft cloth.

4. Apply a thin layer of the stainless steel cleaning product to stainless steel surfaces using a soft cloth. You can obtain stainless steel cleaning products from the after-sales service or the online shop.

12.2 Cleaning products

You can obtain suitable cleaning products from after-sales service or the online shop.

⚠ **WARNING – Risk of electric shock!**

An ingress of moisture can cause an electric shock.

- ▶ Before cleaning, pull out the mains plug or switch off the fuse in the fuse box.
- ▶ Do not use steam- or high-pressure cleaners to clean the appliance.

⚠ **WARNING – Risk of burns!**

The appliance becomes hot during operation.

- ▶ Allow the appliance to cool down before cleaning.

ATTENTION

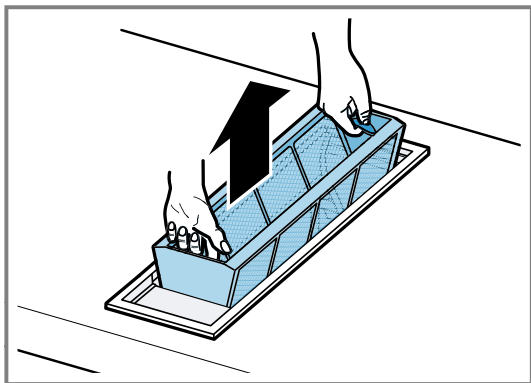
Unsuitable cleaning products may damage the surfaces of the appliance.

- ▶ Do not use harsh or abrasive detergents.
- ▶ Do not use cleaning products with a high alcohol content.
- ▶ Do not use hard scouring pads or cleaning sponges.
- ▶ Only use glass cleaners, glass scrapers or stainless steel care products if recommended in the cleaning instructions for the relevant part.
- ▶ Wash sponge cloths thoroughly before use.

12.3 Removing the grease filter

1. Remove the ventilation grille.

- Pull the grease filter up and out of the appliance using the handles in the grease filter.



- Clean the grease filter.
 - "Cleaning grease filters manually", Page 16
 - "Cleaning grease filters in the dishwasher", Page 16
- Clean the ventilation grille. → Page 16
- Wipe out the inside of the appliance with a damp dish cloth.
 - ▶ Use only a small amount of water for cleaning. Do not allow water to get into the appliance.

12.4 Cleaning grease filters manually

The grease filters filter the grease from the cooking vapour. Regularly cleaned grease filters guarantee a high level of grease removal. We recommend cleaning the grease filters every two months.

⚠ WARNING – Risk of fire!

Fatty deposits in the grease filters may catch fire.

- ▶ Clean the grease filters regularly.

Requirement: The grease filters have been removed.

→ "Removing the grease filter", Page 15

- Observe the information regarding the cleaning agents.
 - "Cleaning products", Page 15
- Soak the grease filter in hot soapy water. Use special grease solvent for stubborn dirt. You can obtain grease solvents from customer service or the online shop.
- Use a brush to clean the grease filters.
- Rinse the grease filters thoroughly.
- Allow the grease filters to drain.

12.5 Cleaning grease filters in the dishwasher

The grease filters filter the grease from the cooking vapour. Regularly cleaned grease filters guarantee a high level of grease removal. We recommend cleaning the grease filters every two months.

⚠ WARNING – Risk of fire!

Fatty deposits in the grease filters may catch fire.

- ▶ Clean the grease filters regularly.

ATTENTION

The grease filters may become damaged if they are squeezed in the dishwasher.

- ▶ Do not squeeze the grease filters.

Note: When cleaning the grease filter in the dishwasher, light discolouration may occur. This discolouration has no effect on the performance of the metal grease filters.

Requirement: The grease filters have been removed.

→ "Removing the grease filter", Page 15

- Observe the information regarding the cleaning agents.
 - "Cleaning products", Page 15
- Place the grease filters loosely into the dishwasher. Do not clean heavily soiled grease filters with utensils. Use special grease solvent for stubborn dirt. You can obtain grease solvents from customer service or the online shop.
- Start the dishwasher. Select a temperature of no more than 70 °C.
- Allow the grease filters to drain.

12.6 Cleaning the ventilation grille

- Carefully remove the ventilation grille.
- Clean the ventilation grille with hot soapy water or in the dishwasher.
 - When cleaning the ventilation grille in the dishwasher, light discolouration may occur. The light discolouration has no effect on the performance of the ventilation grille.
- Dry the ventilation grille with a soft cloth.

12.7 Installing the grease filter

Requirement: The grease filter is cleaned and dried.

- Insert the grease filter.
- Put the cleaned ventilation grille in position.

12.8 Odour filter for air recirculation mode

Odour filters bind odorous substances in air recirculation mode. Regularly replaced odour filters guarantee a high level of odour removal.

The odour filter of the remote fan unit must be replaced at regular intervals. The saturation indicator on your appliance will tell you how frequently this needs to be done. The odour filter provided cannot be cleaned or regenerated.

→ "Replacing the odour filter", Page 17

The regenerable odour filter is available as a special accessory.

Select the regenerable odour filter in the Home Connect app.

You can obtain odour filters from customer service or the online shop. Only use original odour filters.

12.9 Cleaning the appliance frame

- Clean the appliance frame using soapy water and a dish cloth.
 - ▶ Use only a small amount of water for cleaning. Do not allow water to get into the appliance.
- Leave dried-on remains to soak in a small amount of soapy water. Do not scour dried-on remains.
- Dry with a soft cloth.

12.10 Cleaning the control knob

WARNING – Risk of electric shock!

An ingress of moisture can cause an electric shock.

- ▶ Do not detach the control knobs to clean them.
 - ▶ Do not use wet sponge cloths.
1. Observe the information regarding the cleaning agents.
→ "Cleaning products", Page 15
 2. Clean using a damp sponge cloth and hot soapy water.

3. Dry with a soft cloth.

12.11 Replacing the odour filter

Odour filters bind odorous substances in air recirculation mode. Regularly replaced odour filters guarantee a high level of odour removal.

- ▶ Replace the odour filter in the remote fan unit at regular intervals.
- ▶ The saturation indicator on your appliance will tell you how frequently this needs to be done.

13 Troubleshooting

You can rectify minor faults on your appliance yourself. Read the troubleshooting information before contacting after-sales service. This will avoid unnecessary costs.

WARNING – Risk of injury!

Improper repairs are dangerous.

- ▶ Repairs to the appliance should only be carried out by trained specialist staff.
- ▶ If the appliance is defective, call Customer Service.
→ "Customer Service", Page 18

WARNING – Risk of electric shock!

Improper repairs are dangerous.

- ▶ Repairs to the appliance should only be carried out by trained specialist staff.
- ▶ Only use genuine spare parts when repairing the appliance.
- ▶ If the power cord or the appliance power cable of this appliance is damaged, it must be replaced with a special power cord or special appliance power cable, which is available from the manufacturer or its Customer Service.
- ▶ If the power cord of this appliance is damaged, it must be replaced by trained specialist staff.

13.1 Malfunctions

Fault	Cause and troubleshooting
The appliance is not working.	<p>The circuit breaker in the fuse box has tripped.</p> <ul style="list-style-type: none"> ▶ Check the circuit breaker in the fuse box. <hr/> <p>There has been a power cut.</p> <ul style="list-style-type: none"> ▶ Check whether the lighting in your room or other appliances are working. <hr/> <p>No connection to the remote fan unit.</p> <ul style="list-style-type: none"> ▶ Check whether the plugs on the connection cable for the remote fan unit are properly inserted.
Home Connect is not working properly.	<p>Different causes are possible.</p> <ul style="list-style-type: none"> ▶ Reset the saved connections to the home network and to Home Connect. ▶ Go to www.home-connect.com.
After the appliance has been switched off, the illuminated ring flashes white slowly three times.	<p>The grease filters are saturated.</p> <ul style="list-style-type: none"> ▶ Clean the grease filter in the dishwasher. → Page 16 ▶ Clean the grease filter by hand. → Page 16
After the appliance has been switched off, the illuminated ring flashes white rapidly six times.	<p>The odour filter in the remote fan unit is saturated.</p> <ul style="list-style-type: none"> ▶ Change the odour filter in the remote fan unit. → Page 17
The fan continues to run after the appliance has been switched off. The illuminated ring flashes slowly orange.	<p>The fan run-on is switched on.</p> <ul style="list-style-type: none"> ▶ Observe the information about the fan run-on → Page 7.
The appliance switches off while operating. The illuminated ring is flashing orange and white alternately.	<p>Safety shut-off: No actions have been performed for an extended period.</p> <ol style="list-style-type: none"> 1. Ensure that there is a connection to the remote fan unit. 2. Turn the control knob to 0. 3. Switch the appliance back on. 4. If the illuminated ring flashes again after you have switched the appliance back on, contact customer service.

Fault	Cause and troubleshooting
The appliance switches off while operating. The illuminated ring is flashing orange and white alternately.	<p>The appliance remains off after a power cut.</p> <ol style="list-style-type: none"> 1. Ensure that there is a connection to the remote fan unit. 2. Turn the control knob to 0. 3. Switch the appliance back on. 4. If the illuminated ring flashes again after you have switched the appliance back on, contact customer service.
The appliance runs in automatic mode; the illuminated ring flashes yellow and magenta.	<p>The window is closed using the window contact switch.</p> <ol style="list-style-type: none"> 1. Open the window. 2. Turn the control knob to 0. 3. Switch the appliance back on. 4. If the illuminated ring flashes again after you have switched the appliance back on, contact customer service.
The appliance runs in automatic mode; the illuminated ring flashes yellow and magenta.	<p>The automatic sensor is faulty.</p> <ol style="list-style-type: none"> 1. Ensure that there is a connection to the remote fan unit. 2. Turn the control knob to 0. 3. Switch the appliance back on. 4. If the illuminated ring flashes again after you have switched the appliance back on, contact customer service.
The illuminated ring flashes magenta and yellow.	<p>Malfunction</p> <ol style="list-style-type: none"> 1. Ensure that there is a connection to the remote fan unit. 2. Turn the control knob to 0. 3. Switch the appliance back on. 4. If the illuminated ring flashes again after you have switched the appliance back on, contact customer service.
The illuminated ring colour does not match the illuminated ring colour of other appliances.	<p>The illuminated ring colour is brighter or darker than the illuminated ring colour of other appliances.</p> <p>► Change the illuminated ring colour in the basic settings → <i>Page 14</i>.</p>

14 Customer Service

Function-relevant genuine spare parts according to the corresponding Ecodesign Order can be obtained from Customer Service for a period of at least 10 years from the date on which your appliance was placed on the market within the European Economic Area.

Note: Under the terms of the manufacturer's warranty the use of Customer Service is free of charge.

Detailed information about the warranty period and the warranty conditions in your country is available via the QR code on the enclosed document on service contacts and warranty conditions, from our customer service or on our website.

If you contact Customer Service, you will require the product number (E-Nr.) and the production number (FD) of your appliance.

You can find the contact details for our customer service via the QR code on the enclosed document on service contacts and warranty conditions or on our website.

14.1 Product number (E-Nr.) and production number (FD)

You can find the product number (E-Nr.) and the production number (FD) on the appliance's rating plate. The rating plate is located on the underside of the appliance.

Make a note of your appliance's details and the Customer Service telephone number to find them again quickly.

15 Disposal

15.1 Disposing of old appliance

Valuable raw materials can be reused by recycling.

1. Unplug the appliance from the mains.
2. Cut through the power cord.
3. Dispose of the appliance in an environmentally friendly manner.

Information about current disposal methods are available from your specialist dealer or local authority.



This appliance is labelled in accordance with European Directive 2012/19/EU concerning used electrical and electronic appliances (waste electrical and electronic equipment - WEEE). The guideline determines the framework for the return and recycling of used appliances as applicable throughout the EU.

16 Declaration of Conformity

BSH Hausgeräte GmbH hereby declares that the appliance with Home Connect functionality conforms to the basic requirements and other relevant provisions of Directive 2014/53/EU.

A detailed RED Declaration of Conformity can be found online at www.gaggenau.com among the additional documents on the product page for your appliance.




Hereby, BSH Hausgeräte GmbH declares that the appliance with Home Connect functionality is in compliance with relevant statutory requirements.¹

A detailed Declaration of Conformity can be found online at www.gaggenau.com/gb among the additional documents on the product page for your appliance.¹



2.4 GHz band (2400–2483.5 MHz): Max. 100 mW

5-GHz band (5150–5350 MHz + 5470–5725 MHz): max. 50 mW

	BE	BG	CZ	DK	DE	EE	IE	EL	ES
	FR	HR	IT	CY	LI	LV	LT	LU	HU
	MT	NL	AT	PL	PT	RO	SI	SK	FI
	SE	NO	CH	TR	IS	UK (NI)			

5 GHz WLAN (Wi-Fi): For indoor use only.

AL	BA	MD	ME	MK	RS	UK	UA
----	----	----	----	----	----	----	----

5 GHz WLAN (Wi-Fi): For indoor use only.

16.1 Statement of Compliance for Great Britain

Product type

This statement of compliance covers the products described in this information for use whose model identifier group is seen on the title page. The full model identifier is made up of the characters before the slash in the product number (E no.) which can be found on the rating plate. Alternatively, you can also find the model identifier in the first line of the UK Energy Label.

Name and address of manufacturer

BSH Hausgeräte GmbH, Carl-Wery-Strasse 34, 81739 München, Germany

This statement of compliance is prepared by the manufacturer.

The manufacturer, BSH Hausgeräte GmbH deems that it has complied with

- provision 5.1-1 of ETSI EN 303 645 v2.1.1 and, where relevant, provision 5.1-2 of ETSI EN 303 645 v2.1.1;
- provision 5.2-1 of ETSI EN 303 645 v2.1.1;
- provision 5.3-13 of ETSI EN 303 645 v2.1.1.

Support period

BSH Hausgeräte GmbH will provide security updates that are necessary to maintain the main functions free of charge until at least 28/02/2034.

17 Installation instructions

Observe this information when installing the appliance.

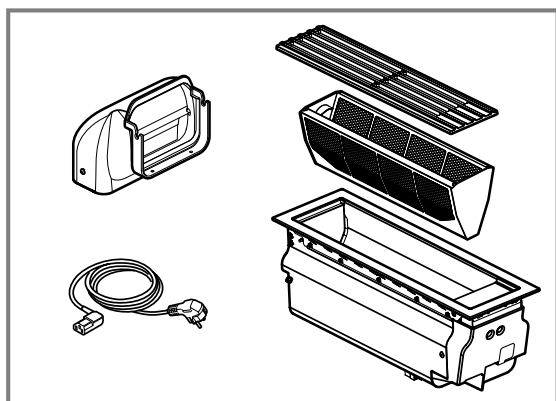


← mm →

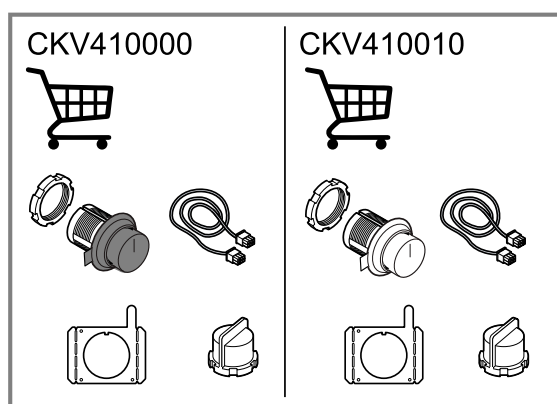
¹ Only applies to Great Britain

17.1 Scope of delivery

After unpacking all parts, check for any damage in transit and completeness of the delivery.

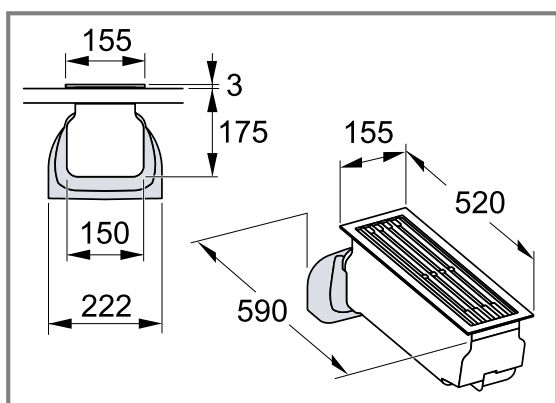


Order the appropriate control knob in black or stainless steel.



17.2 Appliance dimensions

You will find the dimensions of the appliance here



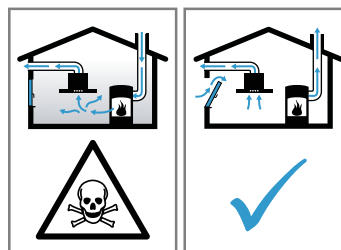
⚠ 17.3 Secure installation

Follow these safety instructions when installing the appliance.

⚠ **WARNING – Risk of poisoning!**

Risk of poisoning from flue gases being drawn back in. Room-air-dependent heat-producing appliances (e.g. gas, oil, wood or coal-operated heaters, continuous flow heaters or water heaters) obtain combustion air from the room in which they are installed and discharge the

exhaust gases into the open through an exhaust gas system (e.g. a chimney). With the extractor hood switched on, air is extracted from the kitchen and the adjacent rooms. Without an adequate supply of air, the air pressure falls below atmospheric pressure. Toxic gases from the chimney or the extraction shaft are sucked back into the living space.



- ▶ Always ensure adequate fresh air in the room if the appliance is being operated in exhaust air mode at the same time as a room-air-dependent heat-producing appliance is being operated.
- ▶ It is only possible to safely operate the appliance if the pressure in the room in which the heating appliance is installed does not fall below 4 Pa (0.04 mbar). This can be achieved whenever the air needed for combustion is able to enter through openings that cannot be sealed, for example in doors, windows, incoming/exhaust air wall boxes or by other technical means. An incoming/exhaust air wall box alone is not sufficient to ensure compliance with the limit.
- ▶ In any case, consult your responsible chimney sweep. They are able to assess the house's entire ventilation setup and will suggest the suitable ventilation measures to you.

Risk of poisoning from flue gases being drawn back in.

- ▶ If an extractor hood with an open-flued heat production source is installed, the power supply for the extractor hood must be provided with a suitable safety switch.

Risk of poisoning from flue gases being drawn back in.

- ▶ Do not emit the exhaust air into a smoke or exhaust gas flue that is in operation.
- ▶ Do not emit the exhaust air into a shaft that is used to ventilate installation rooms for heat-producing appliances.
- ▶ If the exhaust air is to be conveyed into a smoke or exhaust gas flue, you must obtain the consent of the heating engineer responsible.

⚠ WARNING – Risk of suffocation!

Children may put packaging material over their heads or wrap themselves up in it and suffocate.

- ▶ Keep packaging material away from children.
- ▶ Do not let children play with packaging material.

⚠ WARNING – Risk of fire!

The grease deposits in the grease filter may catch fire.

- ▶ Never work with naked flames close to the appliance (e.g. flambéing).
- ▶ Do not install the appliance near a heat-producing appliance for solid fuel (e.g. wood or coal) unless a closed, non-removable cover is present. There must be no flying sparks.
- ▶ The specified safety clearances must be complied with in order to prevent a build-up of heat.
- ▶ Observe the specifications for your cooking appliances. If the installation instructions for the cooking appliances specify a different clearance, the larger of the two must always be provided for. If gas hobs and electric hobs are operated together, the largest specified clearance applies.

⚠ WARNING – Risk of injury!

Components inside the appliance may have sharp edges.

- ▶ Wear protective gloves.
- Changes to the electrical or mechanical assembly are dangerous and may lead to malfunctions.
- ▶ Do not make any changes to the electrical or mechanical assembly.

⚠ WARNING – Risk of electric shock!

Sharp-edged components inside the appliance may damage the connecting cable.

- ▶ Do not kink or trap the connecting cable.
- If the appliance or the power cord is damaged, this is dangerous.
- ▶ Never operate a damaged appliance.
 - ▶ Never pull on the power cord to unplug the appliance. Always unplug the appliance at the mains.
 - ▶ If the appliance or the power cord is damaged, immediately unplug the power cord or switch off the fuse in the fuse box.
 - ▶ Call customer service. → *Page 18*

Improper repairs are dangerous.

- ▶ Repairs to the appliance should only be carried out by trained specialist staff.
- ▶ Only use genuine spare parts when repairing the appliance.
- ▶ If the power cord or the appliance power cable of this appliance is damaged, it must be replaced with a special power cord or special appliance power cable, which is available from the manufacturer or its Customer Service.
- ▶ If the power cord of this appliance is damaged, it must be replaced by trained specialist staff.

Incorrect installation is dangerous.

- ▶ Connect and operate the appliance only in accordance with the specifications on the rating plate.
- ▶ Connect the appliance to a power supply with alternating current only via a properly installed socket with earthing.
- ▶ The protective conductor system of the domestic electrical installation must be properly installed.
- ▶ Never equip the appliance with an external switching device, e.g. a timer or remote control.
- ▶ When the appliance is installed, the mains plug of the power cord must be freely accessible. If free access is not possible, an all-pole isolating switch must be installed in the permanent electrical installation according to the conditions of Overvoltage Category III and according to the installation regulations.
- ▶ When installing the appliance, check that the power cable is not trapped or damaged.

17.4 Instructions for the electrical connection

In order to safely connect the appliance to the electrical system, follow these instructions.

⚠ WARNING – Risk of electric shock!

It must always be possible to disconnect the appliance from the electricity supply. The appliance must only be connected to a protective contact socket that has been correctly installed.

- ▶ The mains plug for the mains power cable must be easily accessible after the appliance is installed.
- ▶ If this is not possible, an all-pole isolating switch must be integrated into the permanent electrical installation according to the conditions of overvoltage category III and according to the installation regulations.
- ▶ The permanent electrical installation must only be wired by a professional electrician. We recommend

installing a residual-current circuit breaker (RCCB) in the appliance's power supply circuit.

- The connection data can be found on the rating plate. → *Page 18*
- This appliance complies with the EC interference suppression regulations.
- The appliance corresponds to protection class 1. You should therefore only use the appliance with a protective earth connection.
- Do not connect the appliance to the power supply during installation.
- Ensure that the protection against contact is guaranteed during installation.

17.5 Information on the installation situation

- Install this appliance in a worktop.
- To install additional special accessory parts, observe the enclosed installation instructions.
- The width of the extractor hood must correspond at least with the width of the hob.

17.6 Instructions for the exhaust air pipe

The appliance manufacturer does not provide any warranty for faults attributable to the pipeline.

- Use a short, straight exhaust air pipe with as large a pipe diameter as possible.
- Long, rough exhaust air pipes, many pipe bends or small pipe diameters reduce the suction power and increase the fan noise.
- Use an exhaust air pipe that is made of non-combustible material.
- To prevent condensate from returning, fit the exhaust pipe with a 1° gradient from the appliance.

Flat ducts

Use flat ducts with an inner cross-section that corresponds to the diameter of the round pipes:

- Diameter of 150 mm corresponds to approx. 177 cm².
- Use sealing strips for different pipe diameters.
- Do not use any flat ducts with sharp bends.

Round pipes

Round pipes with an inner diameter of 150 mm.

17.7 General information

Follow these general instructions during the installation.

- For the installation, observe the currently valid building regulations and the regulations of the local electricity and gas suppliers.
- When discharging the exhaust air, the official and legal regulations, such as the regional building code., must be observed.
- The surfaces of the appliance are sensitive. Avoid damaging them during installation.

17.8 Installation

Installation accessories

Here, you can find an overview of the installation accessories.

Use the accessories only as specified. The manufacturer shall accept no liability if you use the accessories incorrectly.

Accessories	Order number
Connection strip for flush installation	VA420004
Connection strip for surface-mounted installation	VA420010
Connecting pieces for extending	AD851041
Flexible connection hose	AD410040

Ventilation moulding

If the extractor hood is operating beside a gas appliance, you must fit the ventilation moulding onto the gas appliance during cooking. The ventilation moulding improves the extraction behaviour of gas appliances. The ventilation moulding prevents small flames from being extinguished by the draught of air.

⚠ WARNING – Risk of fire!

The extractor hood may draw in the flame from gas burners.

The grease deposits in the grease filter may catch fire. Small flames may go out.

- ▶ If you are operating the extractor hood next to a gas-fired appliance, fit the ventilation moulding on the gas-fired appliance. The ventilation moulding prevents the extractor hood from drawing in flames.

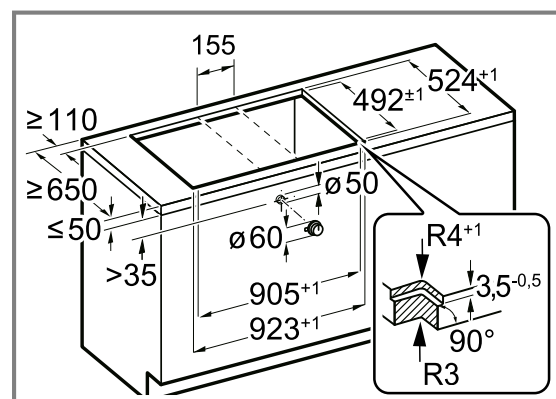
Flush installation

With the flush installation, the appliance and worktop are on one level. There is no unattractive stepping between the appliance and the worktop.

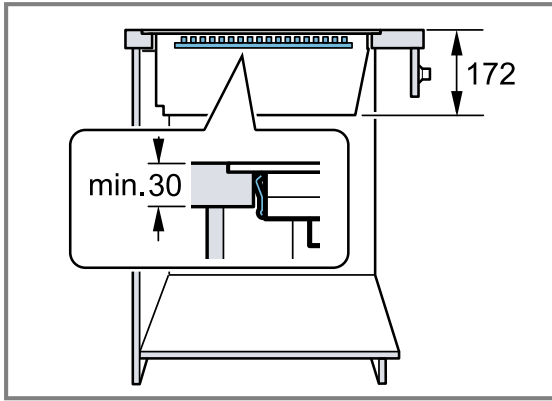
You can install the appliance in the following temperature-resistant and waterproof worktops:

- Stone worktops
- Plastic worktops, e.g. Corian®
- Solid wood worktops

Installation in compressed-wood worktops is not possible.



The distances to the worktop:



Observe the information about flush installation

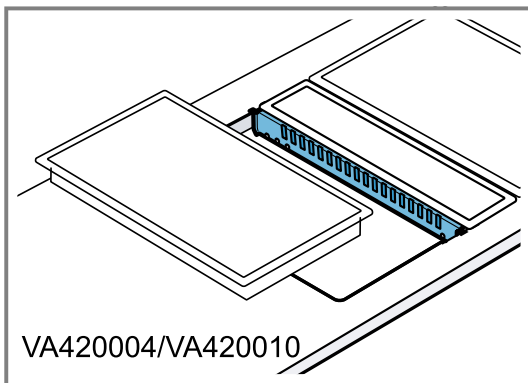
Requirement: All cut-outs in the worktop must be made in a specialist workshop as shown in the installation diagram. The specialist workshop must make the cut-out neat and precise as the cut edge is visible on the surface.

1. Clean and degrease the cut-out edges with a suitable cleaning agent.
2. Follow the instructions provided by the silicone manufacturer.
3. For worktops made from solid wood and other materials, discuss this with the worktop manufacturer.
4. Seal the cut-out edges.

Combining multiple Vario appliances

Requirement: To combine multiple appliances, you require a connection strip. The connection strip is available as a special accessory.

1. When making the cut-out, allow extra space for the connection strip between the appliances.
 - Observe the installation instructions for the connection strip.

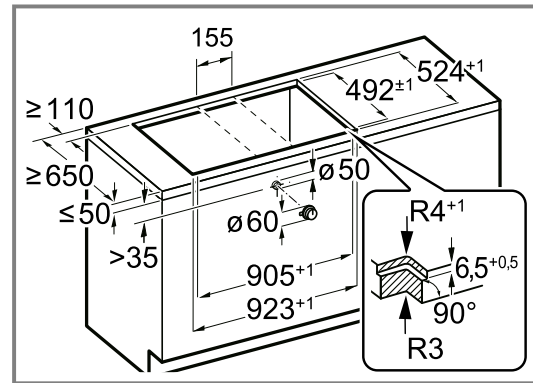


2. When installing in individual cut-outs, ensure that at least 50 mm of material is left between the cut-outs.

Installing the appliance flush with frameless induction hobs

1. For flush installation in combination with frameless induction hobs, cut out the support edge with 6.5 mm.

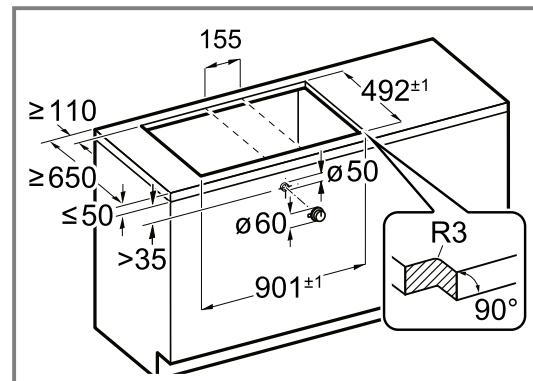
2. Make the unit cut-out in the worktop for one or more Vario appliances in accordance with the installation drawing.
 - Observe the installation instructions for the connection strip VA420004.



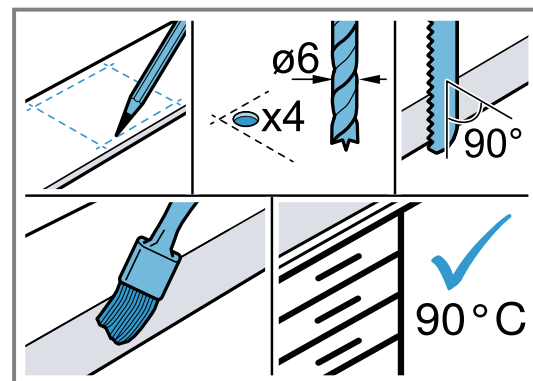
Preparing the unit

Requirement: The fitted units are heat-resistant up to 90 °C.

1. Make the unit cut-out for one or more appliances in accordance with the installation drawing.
2. Make the unit cut-out in the worktop for one or more appliances in accordance with the installation drawing.

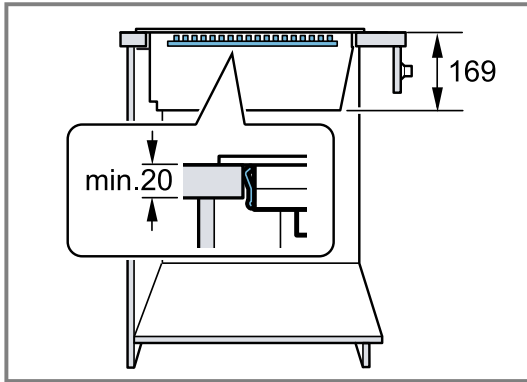


3. Drill four holes with a diameter of 6 mm.



4. Ensure that the angle of the cut surface to the worktop is 90°.
5. Ensure that the stability of the fitted unit is guaranteed after the cut-outs have been made.

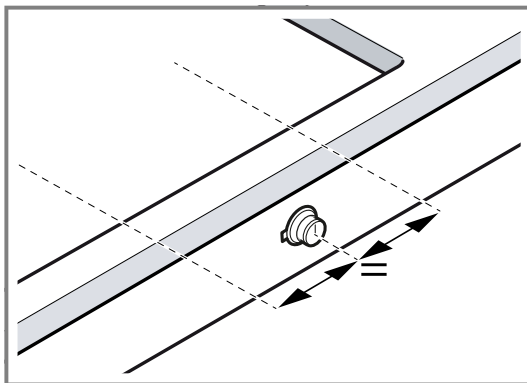
6. Take the necessary clearances to the worktop into consideration.



7. After making the cut-outs, remove any shavings.
8. Seal the cut surfaces so that they are heat-resistant and waterproof.
9. Maintain the minimum clearance of 10 mm between the bottom of the appliance and unit parts.

Making the cut-out for the control knob

1. Drill the hole for the control knob according to the enclosed instructions.
2. If the panel is more than 23 mm thick, cut out the rear of the front panel for the retaining plate.
3. Note the position of the control knob.

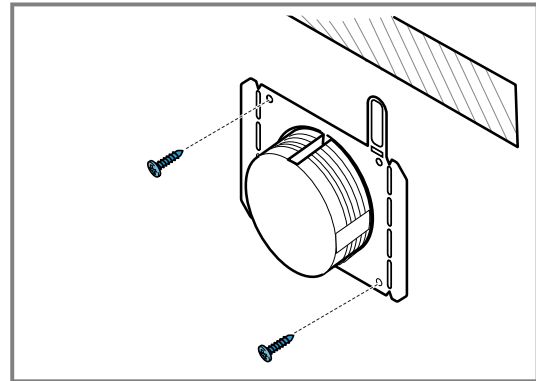


4. After making the cut-outs, remove any shavings.
5. Seal the cut surfaces so that they are heat-resistant and waterproof.

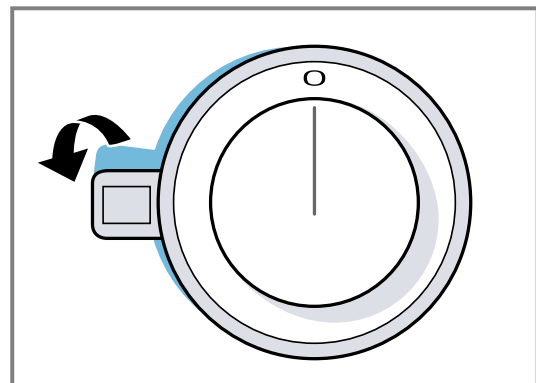
Installing the control knob

1. Hold the retaining plate in place against the rear of the control panel.

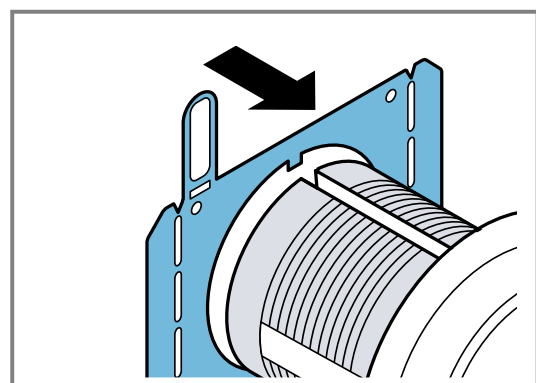
2. Use 2 screws to secure the retaining plate against rotation.
 - In the case of stone worktops, adhere the retaining plate using heat-resistant, two-component adhesive.



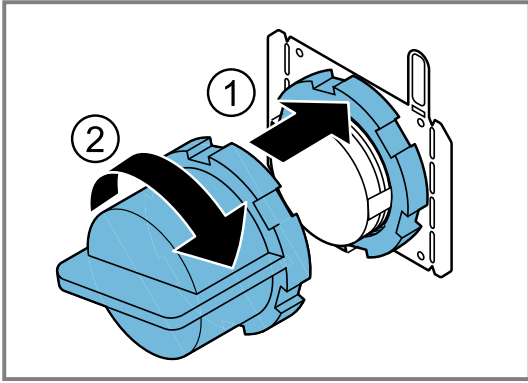
3. Remove the protective film from the rear of the illuminated ring.



4. Push the control knob into the hole.
 - Always position the side marking on the control knob on the left.
5. Ensure that the retaining lug on the retaining plate is located on the upper side and the control knob is in the zero setting.



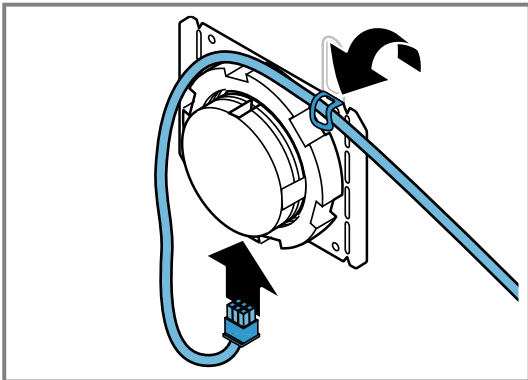
6. On the rear of the control knob, tighten the retaining nut using the installation tool provided.



7. Align the control knob precisely in the zero setting.

Connecting the control knob to the connection cables

1. Connect the control knob to the enclosed connection cable.

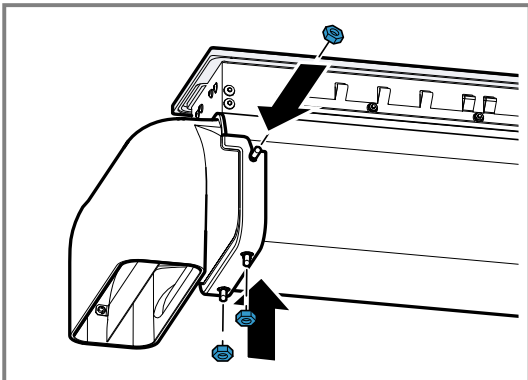


The two connectors on the control knob are identical.

2. Ensure that the plug engages in the socket.
3. After installation, check that all of the plug connections are seated correctly.
4. To secure all connection cables after installation, bend the lugs on the retaining plate.

Preparing the appliance

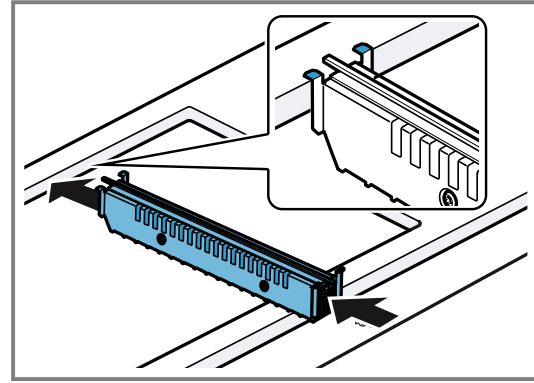
- ▶ Use 4 nuts to screw the exhaust-air elbow tightly to the appliance.



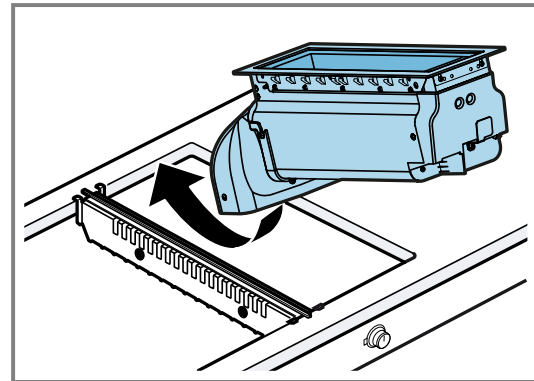
Installing the appliance

Requirement: Observe the installation sequence. First install the extractor hood in the cut-out in the worktop. Then install the other appliances.

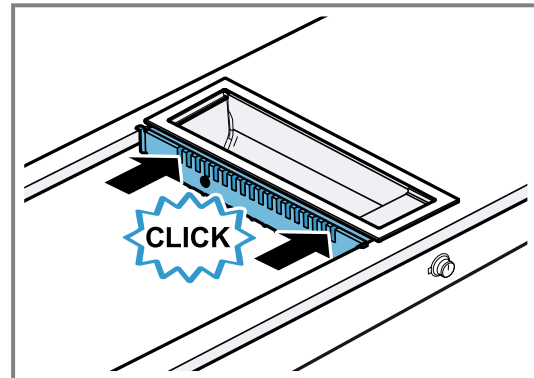
1. Insert the connection strip into the cut-out in the worktop.



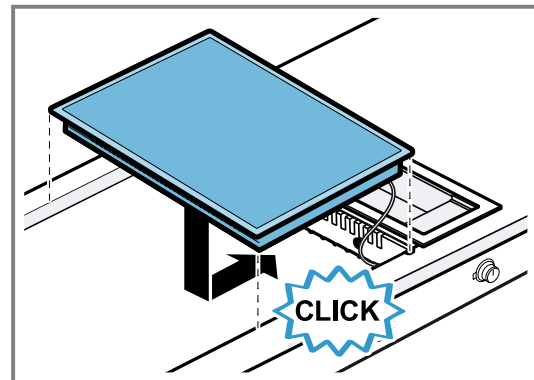
2. Insert the extractor hood into the cut-out in the worktop.



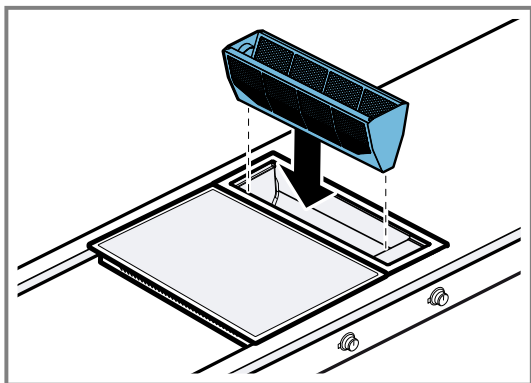
3. Push the connection strip firmly onto the appliance.
▶ Ensure that the appliance's clamp springs audibly snap into the recesses in the connection strip.



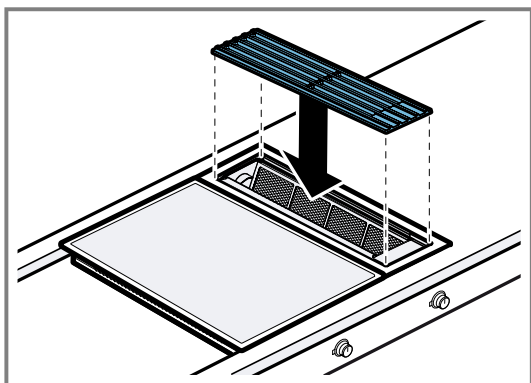
4. Install the other appliances and connection strips.



5. Insert the metal grease filter.



6. Position the ventilation grille.

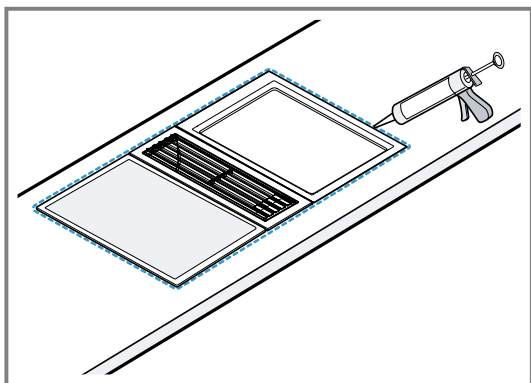


Sealing the joints

For flush installation, seal the joints with silicone.

Requirement: You must carry out a function test before sealing any joints.

1. Seal all around the gap using suitable, heat-resistant silicone, e.g. Novasil® S70 or Ottoseal® S70.



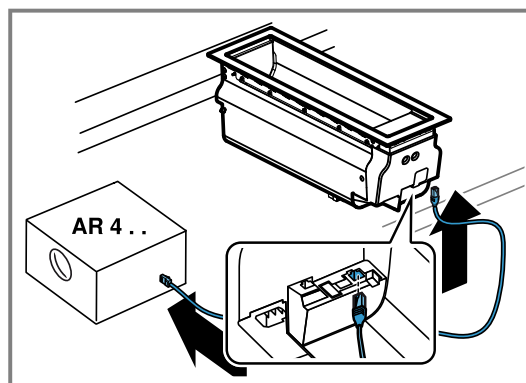
Unsuitable silicone adhesive causes permanent discoloration to natural stone worktops.

2. Use the smoothing agent recommended by the manufacturer to smooth the joint.
3. Observe the usage instructions for the silicone adhesive.
4. Leave the silicone adhesive to dry for at least 24 hours.
The drying time depends on the ambient temperature.
5. Do not operate the appliance until the silicone has dried completely.

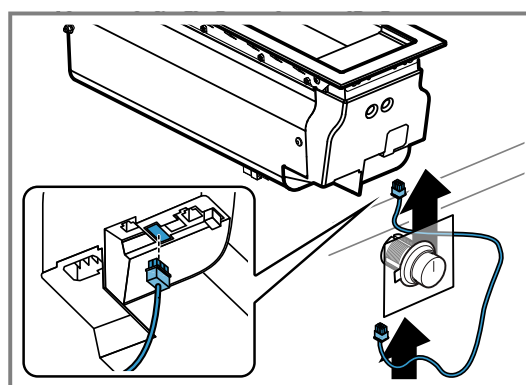
Connecting the appliance

Requirement: The control knob is turned to the zero setting.

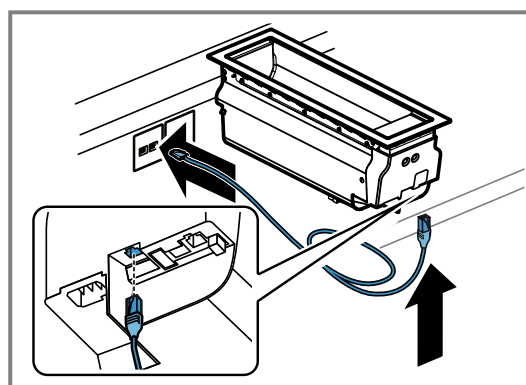
1. Use the control cable to connect the external remote fan unit and the extractor hood.
▶ Ensure that the plug engages with a click.



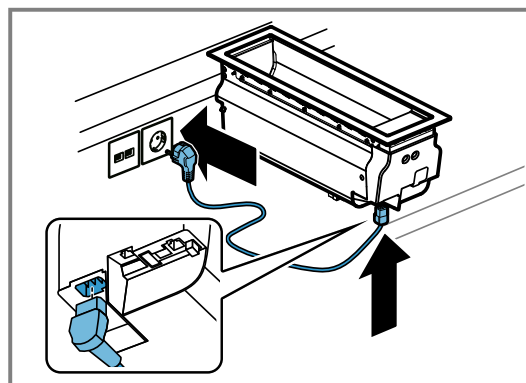
2. Make sure that the cable is inserted into the control knob correctly.



3. If necessary, plug the LAN cable for Home Connect into a LAN socket.



4. Plug the mains cable into a socket.



Removing the appliance

ATTENTION

Tools may damage the appliance frame.

- ▶ Do not prise out the appliance from above.
- 1. Disconnect the appliance from the power supply.
- 2. Release the connection to the air recirculation module.
- 3. If the appliance is flush-mounted with the surrounding surfaces, remove the silicone seal.
- 4. Push out the appliance from below.

The difference is Gaggenau

gaggenau.com

BSH Hausgeräte GmbH
Carl-Wery-Straße 34
81739 München, GERMANY
www.gaggenau.com

Valid within Great Britain:
Imported to Great Britain by
BSH Home Appliances Ltd.
Grand Union House
Old Wolverton Road
Wolverton, Milton Keynes
MK12 5PT
United Kingdom



9001798616 (050410) REG25
en