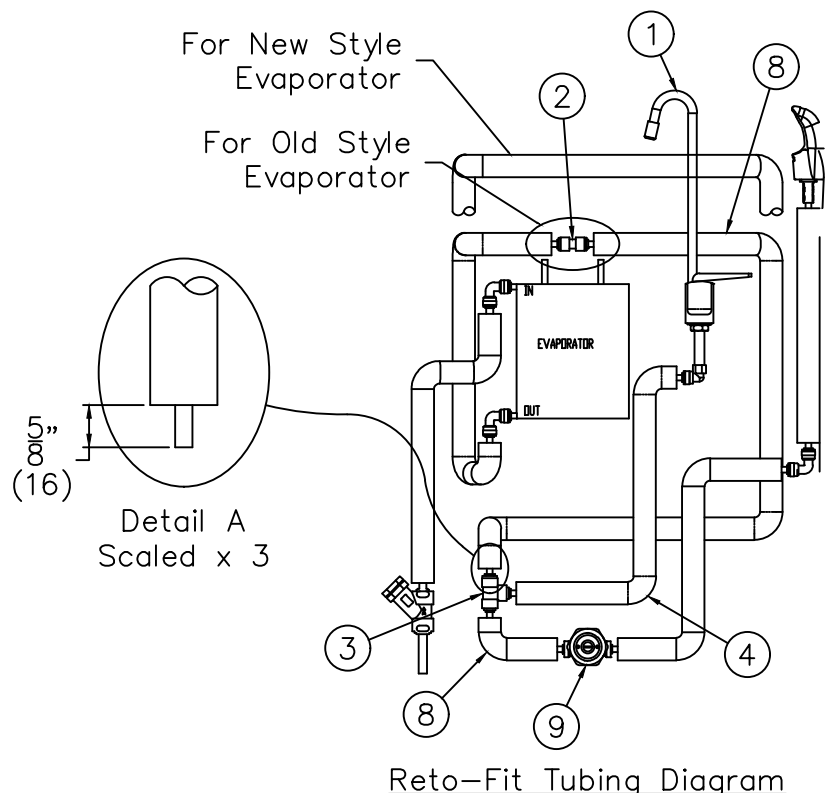
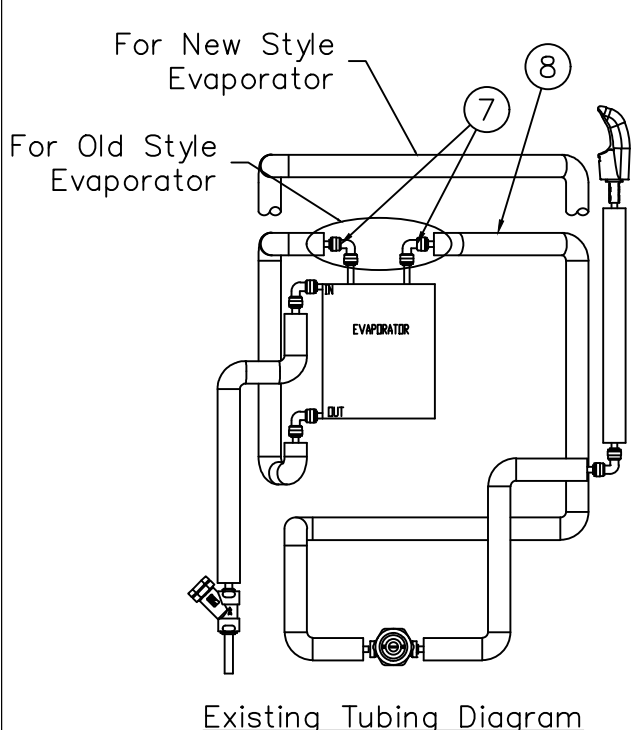


Included In Retro-Fit Kit

- ① Glass Filler With Required Hardware
- ② 1/4" O.D. Tube Push-In Union

- ③ 1/4" O.D. Tube Push-In Union Tee
- ④ 24" Insulated 1/4" O.D. Tubing



INSTALLATION INSTRUCTIONS:

- A- TURN OFF WATER AND DISCONNECT FROM POWER SOURCE.
- B- REMOVE DECK ⑤ AND DRILL OR PUNCH $\phi 1/2$ " HOLE ⑥ IN LOCATION INDICATED, REFER TO DRAWING AQUA-ENG-XXX.
- C- FOR OLD STYLE EVAPORATORS ONLY: REMOVE ELBOWS ⑦ FROM EVAPORATOR AND BY PASS WITH PUSH-IN UNION ②.
- D- CUT INSULATED LINE ⑧ 4" BEFORE PUSHBUTTON VALVE ASSEMBLY ⑨. STRIP INSULATION AT BOTH ENDS, EXPOSE 5/8" OF TUBING, SEE DETAIL "A".

- E- INSTALL 1/4" O.D. TUBE PUSH-IN TEE ③ AND CONNECT PROVIDED GLASS FILLER INSULATED 1/4" O.D. TUBE ④.
- F- ASSEMBLE GLASS FILLER ① TO DECK ⑤.
- G- CONNECT INSULATED LINE ④ TO GLASS FILLER ①.
- H- TURN ON WATER AND ACTIVATE GLASS FILLER ①, CHECK FOR LEAKS. RECONNECT ELECTRICITY AND REINSTALL DECK ⑤.

ITEM	QTY.	MODEL NO.	ACORN ENGINEERING COMPANY	
GLASS FILLER RETRO-FIT			7/64	
JOB			P.O. BOX 3527	INDUSTRY, CA 91744
LOCATION			(626) 336-4561	FAX (626) 961-2200
ARCH.	PAGE 1 OF 2		DATE	REVISION
M.E.	I:\SALES ENG\Acorn Aqua\AQUA-ENG		03/09/11	DRN. BY RMC
			DWG. NO.	7020-901-001

DIMENSIONS ARE SUBJECT TO MANUFACTURERS TOLERANCE AND CHANGE WITHOUT NOTICE. WE CAN ASSUME NO RESPONSIBILITY FOR USE OF SUPERSEDED OR VOID DATA, THIS PRINT IS CONFIDENTIAL AND IS LOANED FOR MUTUAL ASSISTANCE. IT IS NOT TO BE FORWARDED TO OTHER PARTIES NOR REPRINTED IN ANY FORM WITHOUT OUR WRITTEN PERMISSION.