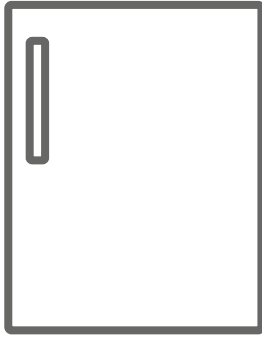


**EN** Fridge - Freezer / User Manual

**AR** ثلاجة / فریزر / دليل المستخدم








**BYS-F115UC**

## Thank you for choosing this product.

This user manual contains important information on safety and instructions intended to assist you in the operation and maintenance of your appliance.

Please take the time to read this user manual before using your appliance and keep this book for future reference.

Icon	Type	Meaning
	<b>WARNING</b>	Serious injury or death risk
	<b>RISK OF ELECTRIC SHOCK</b>	Dangerous voltage risk
	<b>FIRE</b>	Warning; Risk of fire / flammable materials
	<b>CAUTION</b>	Injury or property damage risk
	<b>IMPORTANT</b>	Operating the system correctly

# CONTENTS

<b>1 SAFETY INSTRUCTIONS .....</b>	<b>3</b>
1.1 General Safety Warnings .....	3
1.2 Installation warnings .....	7
1.3 During Usage.....	7
1.4 Electrical information (For UK type plug).....	8
<b>2 DESCRIPTION OF THE APPLIANCE .....</b>	<b>9</b>
<b>3 USING THE APPLIANCE .....</b>	<b>9</b>
3.1 Thermostat Setting .....	9
3.2 Temperature Settings Warnings .....	10
3.3 Accessories .....	10
3.3.1 Ice Tray ( <i>In some models</i> ).....	<b>10</b>
<b>4 FOOD STORAGE .....</b>	<b>11</b>
4.1 Refrigerator Compartment.....	11
4.2 Freezer Compartment .....	12
<b>5 CLEANING AND MAINTENANCE.....</b>	<b>14</b>
5.1 Defrosting .....	15
5.2 Replacing the Light Bulb.....	16
<b>6 SHIPMENT AND REPOSITIONING.....</b>	<b>16</b>
6.1 Transportation and Changing Positioning .....	16
<b>7 BEFORE CALLING AFTER-SALES SERVICE .....</b>	<b>16</b>
<b>8 TIPS FOR SAVING ENERGY .....</b>	<b>17</b>

# 1 SAFETY INSTRUCTIONS

## 1.1 General Safety Warnings

**Read this user manual carefully.**

**⚠ WARNING:** Keep ventilation openings, in the appliance enclosure or in the built-in structure, clear of obstruction.

**⚠ WARNING:** Do not use mechanical devices or other means to accelerate the defrosting process, other than those recommended by the manufacturer.

**⚠ WARNING:** Do not use electrical appliances inside the food storage compartments of the appliance, unless they are of the type recommended by the manufacturer.

**⚠ WARNING:** Do not damage the refrigerant circuit.

**⚠ WARNING:** When positioning the appliance, ensure the supply cord is not trapped or damaged.

**⚠ WARNING:** Do not locate multiple portable socket-outlets or portable power supplies at the rear of the appliance.

**⚠ WARNING:** In order to avoid any hazards resulting from the instability of the appliance, it must be fixed in accordance with the instructions.

**⚠** If your appliance uses R600a as a refrigerant (this information will be provided on the label of the cooler) you should take care during transportation and installation to prevent the cooler elements from being damaged. R600a is an environmentally friendly and

natural gas, but it is explosive. In the event of a leak due to damage of the cooler elements, move your fridge away from open flames or heat sources and ventilate the room where the appliance is located for a few minutes.

- While carrying and positioning the fridge, do not damage the cooler gas circuit.
- Do not store explosive substances such as aerosol cans with a flammable propellant in this appliance.
- This appliance is intended to be used in household and domestic applications such as:
  - staff kitchen areas in shops, offices and other working environments.
  - farm houses and by clients in hotels, motels and other residential type environments.
  - bed and breakfast type environments;
  - catering and similar non-retail applications.
- If the socket does not match the refrigerator plug, it must be replaced by the manufacturer, a service agent or similarly qualified persons in order to avoid a hazard.
- A specially grounded plug has been connected to the power cable of your refrigerator. This plug should be used with a specially grounded socket of 13 amperes. If there is no such socket in your house, please have one installed by an authorised electrician.

- This appliance can be used by children aged from 8 years and above and persons with reduced physical, sensory or mental capabilities or lack of experience and knowledge if they have been given supervision or instruction concerning use of the appliance in a safe way and understand the hazards involved. Children shall not play with the appliance. Cleaning and user maintenance shall not be made by children without supervision.
- Children aged from 3 to 8 years are allowed to load and unload refrigerating appliances. Children are not expected to perform cleaning or user maintenance of the appliance, very young children (0-3 years old) are not expected to use appliances, young children (3-8 years old) are not expected to use appliances safely unless continuous supervision is given, older children (8-14 years old) and vulnerable people can use appliances safely after they have been given appropriate supervision or instruction concerning use of the appliance. Very vulnerable people are not expected to use appliances safely unless continuous supervision is given.
- If the supply cord is damaged, it must be replaced by the manufacturer, an authorised service agent or similar qualified persons, in order to avoid a hazard.
- This appliance is not intended for use at altitudes exceeding 2000 m.

## **To avoid contamination of food, please respect the following instructions:**

- Opening the door for long periods can cause a significant increase of the temperature in the compartments of the appliance.
- Clean regularly surfaces that can come in contact with food and accessible drainage systems
- Store raw meat and fish in suitable containers in the refrigerator, so that it is not in contact with or drip onto other food.
- Two-star frozen-food compartments are suitable for storing pre-frozen food, storing or making ice cream and making ice cubes.
- One-, two- and three-star compartments are not suitable for the freezing of fresh food.
- If the refrigerating appliance is left empty for long periods, switch off, defrost, clean, dry, and leave the door open to prevent mould developing within the appliance.

## 1.2 Installation warnings

Before using your fridge freezer for the first time, please pay attention to the following points:

- The operating voltage for your fridge freezer is 220-240 V at 50Hz.
- The plug must be accessible after installation.
- Your fridge freezer may have an odour when it is operated for the first time. This is normal and the odour will fade when your fridge freezer starts to cool.
- Before connecting your fridge freezer, ensure that the information on the data plate (voltage and connected load) matches that of the mains electricity supply. If in doubt, consult a qualified electrician.
- Insert the plug into a socket with an efficient ground connection. If the socket has no ground contact or the plug does not match, we recommend you consult a qualified electrician for assistance.
- The appliance must be connected with a properly installed fused socket. The power supply (AC) and voltage at the operating point must match with the details on the name plate of the appliance (the name plate is located on the inside left of the appliance).
- We do not accept responsibility for any damages that occur due to ungrounded usage.
- Place your fridge freezer where it will not be exposed to direct sunlight.
- Your fridge freezer must never be used outdoors or exposed to rain.
- Your appliance must be at least 50 cm away from stoves, gas ovens and heater cores, and at least 5 cm away from electrical ovens.
- If your fridge freezer is placed next to a deep freezer, there must be at least 2 cm between them to prevent humidity forming on the outer surface.
- Do not cover the body or top of fridge freezer with lace. This will affect the

performance of your fridge freezer.

- Clearance of at least 150 mm is required at the top of your appliance. Do not place anything on top of your appliance.
- Do not place heavy items on the appliance.
- Clean the appliance thoroughly before use (see Cleaning and Maintenance).
- Before using your fridge freezer, wipe all parts with a solution of warm water and a teaspoon of sodium bicarbonate. Then, rinse with clean water and dry. Return all parts to the fridge freezer after cleaning.
- The installation procedure into a kitchen unit is given in the installation manual. This product is intended to be used in proper kitchen units only.
- Use the adjustable front legs to make sure your appliance is level and stable. You can adjust the legs by turning them in either direction. This must be done before placing food in the appliance.

## 1.3 During Usage

- Do not connect your fridge freezer to the mains electricity supply using an extension lead.
- Do not use damaged, torn or old plugs.
- Do not pull, bend or damage the cord.
- Do not use plug adapter.
- This appliance is designed for use by adults. Do not allow children to play with the appliance or hang off the door.
- Never touch the power cord/plug with wet hands. This may cause a short circuit or electric shock.
- Do not place glass bottles or cans in the ice-making compartment as they will burst when the contents freeze.
- Do not place explosive or flammable material in your fridge. Place drinks with high alcohol content vertically in the fridge compartment and make sure their tops are tightly closed.
- When removing ice from the ice-making compartment, do not touch it. Ice may cause frost burns and/or cuts.

- Do not touch frozen goods with wet hands. Do not eat ice-cream or ice cubes immediately after they are removed from the ice-making compartment.
- Do not re-freeze thawed frozen food. This may cause health issues such as food poisoning.

### Old and Out-of-order Fridges

- If your old fridge or freezer has a lock, break or remove the lock before discarding it, because children may get trapped inside it and may cause an accident.
- Old fridges and freezers contain isolation material and refrigerant with CFC. Therefore, take care not to harm environment when you are discarding your old fridges.

### CE Declaration of conformity

We declare that our products meet the applicable European Directives, Decisions and Regulations and the requirements listed in the standards referenced.

### Disposal of your old appliance

The symbol on the product or on its packaging indicates that this product may not be treated as household waste. Instead it shall be handed over to the applicable collection point for the recycling of electrical and electronic equipment. By ensuring this product is disposed of correctly, you will help prevent potential negative consequences for the environment and human health, which could otherwise be caused by inappropriate waste handling of this product. For more detailed information about recycling of this product, please contact your local city office, your household waste disposal service or the shop where you purchased the product.



### Packaging and the Environment

Packaging materials protect your machine from damage that may occur during transportation. The packaging materials are environmentally friendly as they are recyclable. The use of recycled material




reduces raw material consumption and therefore decreases waste production.


### Notes:

- Please read the instruction manual carefully before installing and using your appliance. We are not responsible for the damage occurred due to misuse.
- Follow all instructions on your appliance and instruction manual, and keep this manual in a safe place to resolve the problems that may occur in the future.
- This appliance is produced to be used in homes and it can only be used in domestic environments and for the specified purposes. It is not suitable for commercial or common use. Such use will cause the guarantee of the appliance to be cancelled and our company will not be responsible for any losses incurred.
- This appliance is produced to be used in houses and it is only suitable for cooling / storing foods. It is not suitable for commercial or common use and/or for storing substances except for food. Our company is not responsible for any losses incurred by inappropriate usage of the appliance.

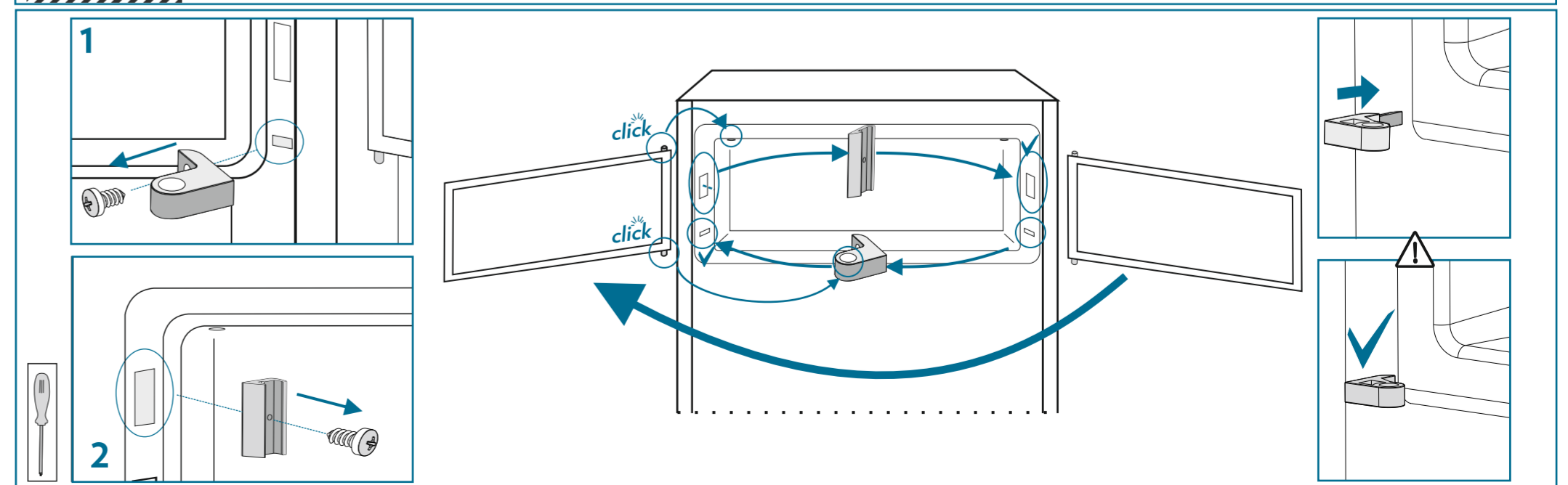
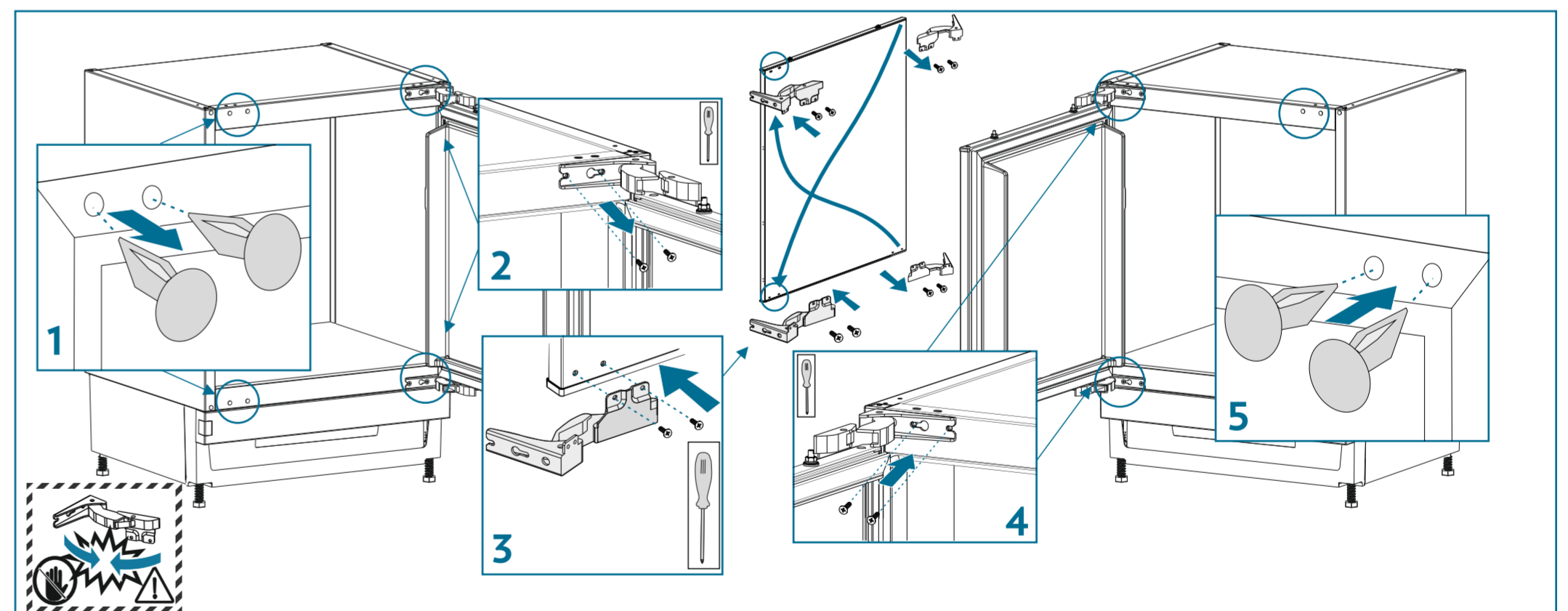
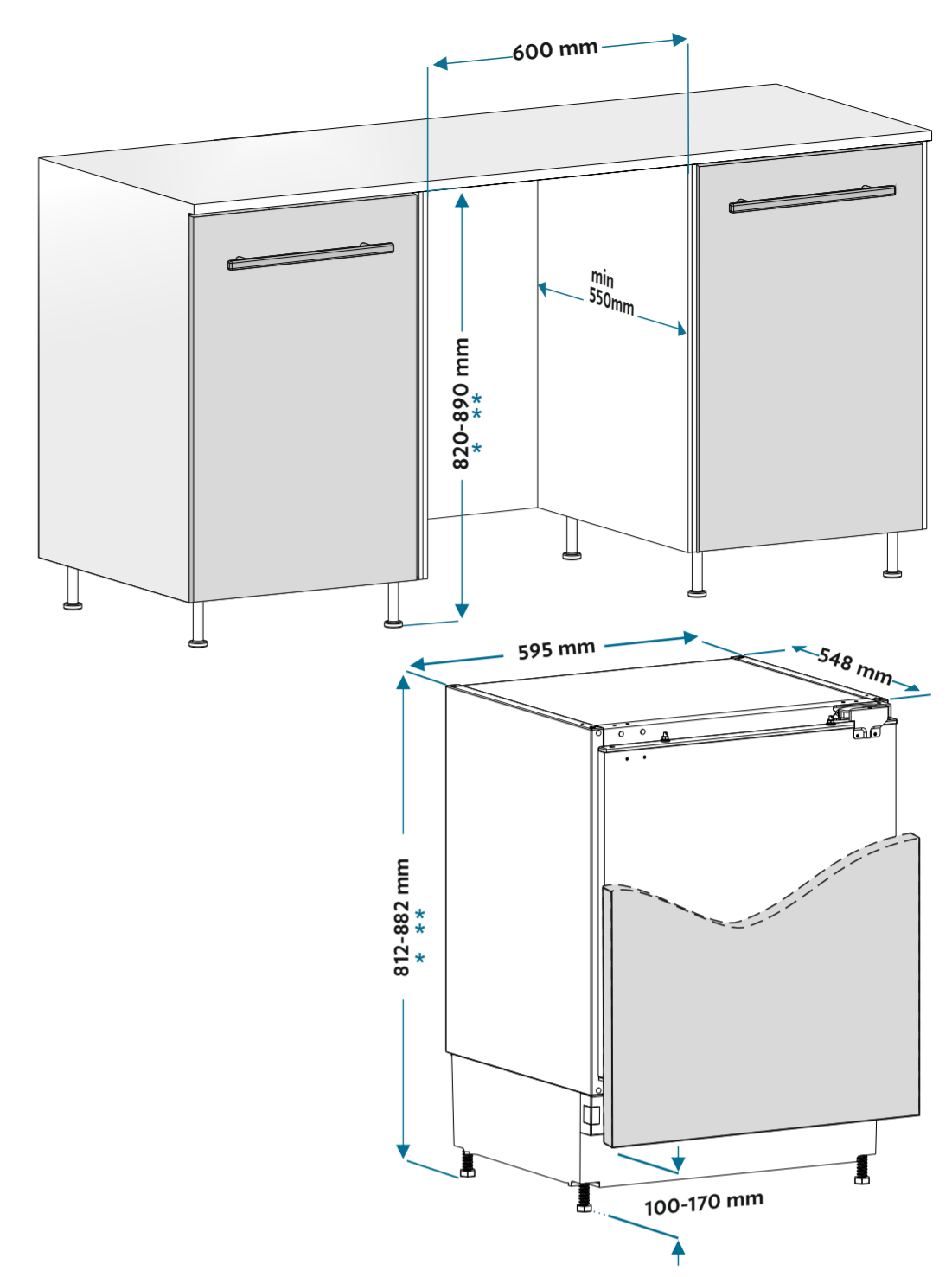
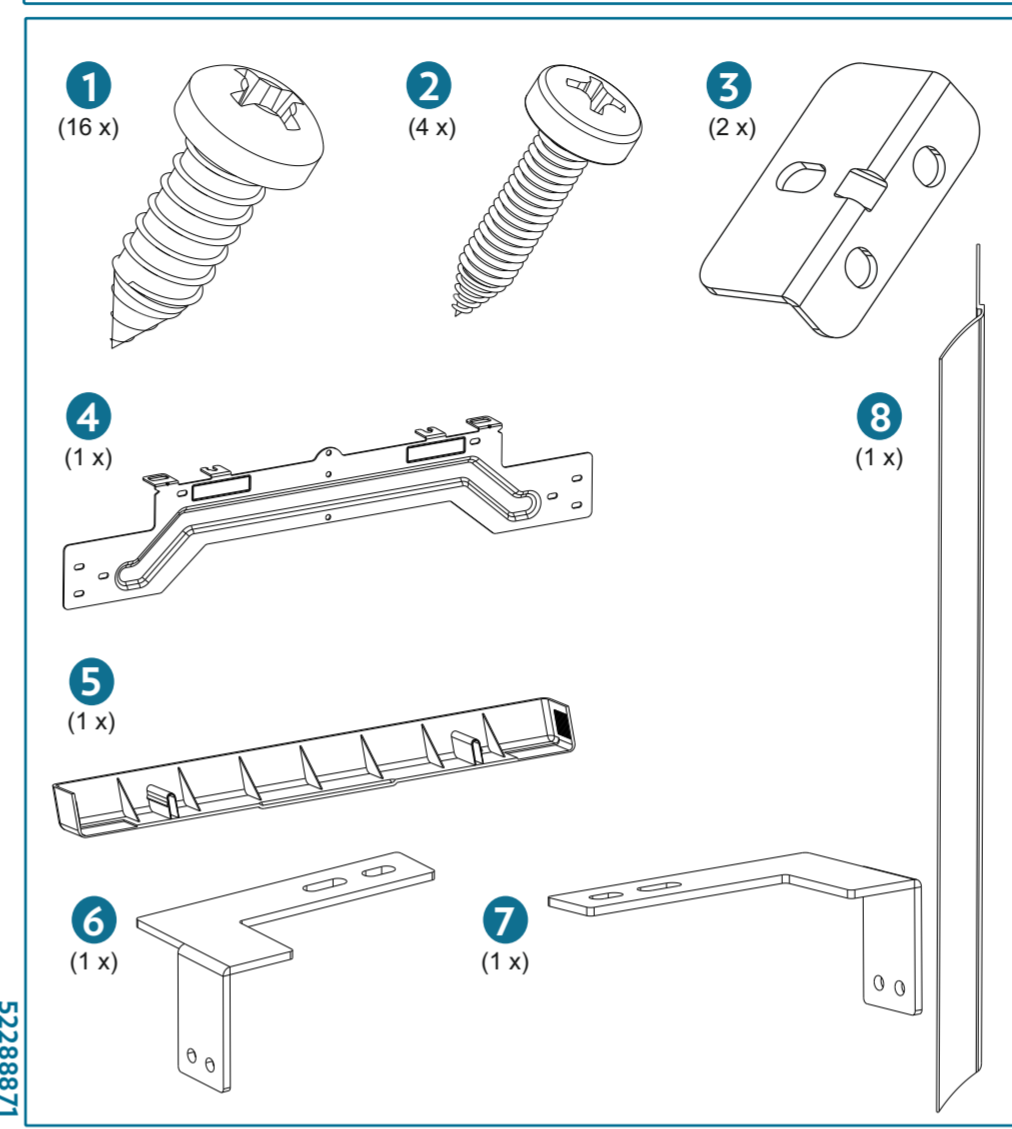
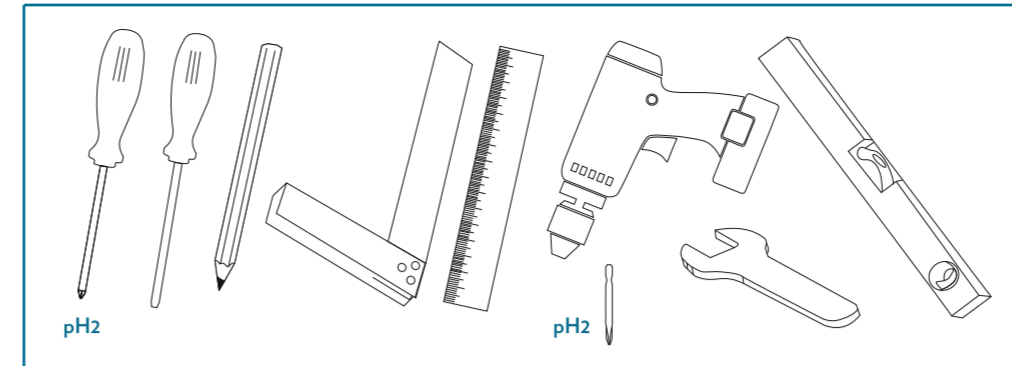
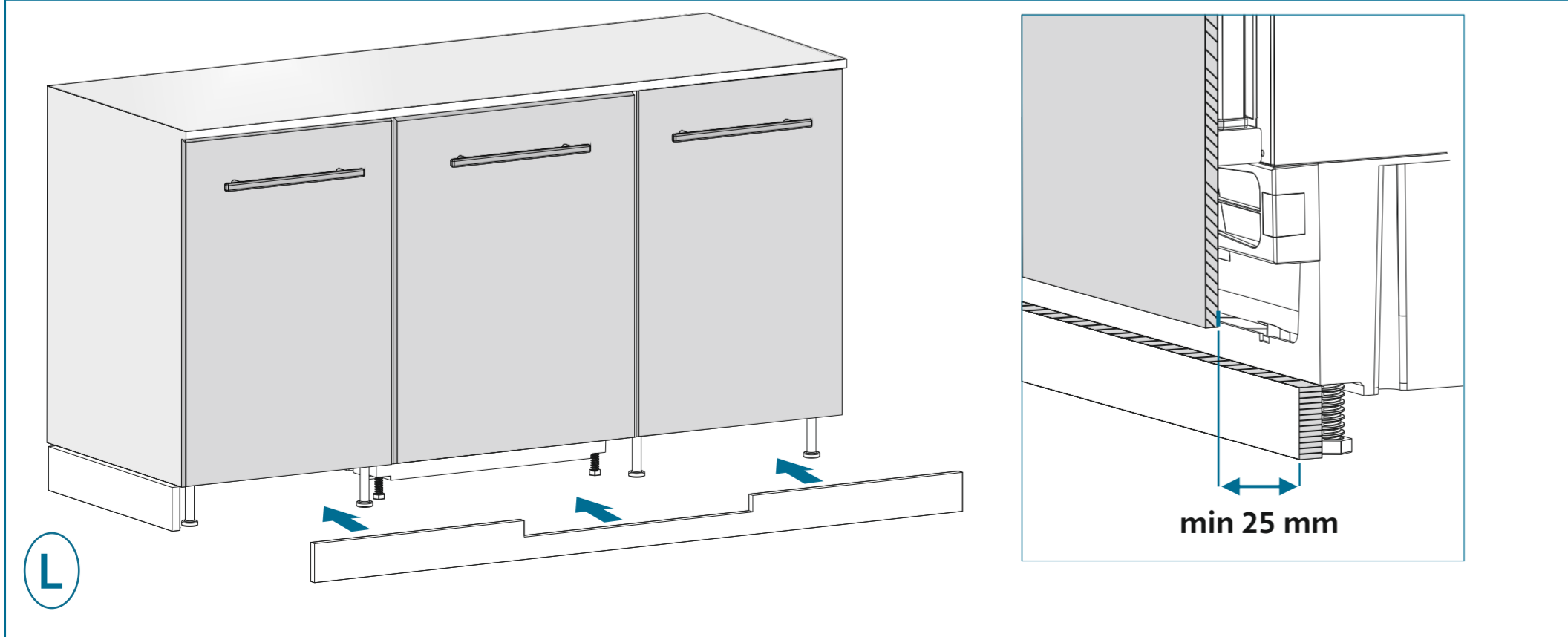
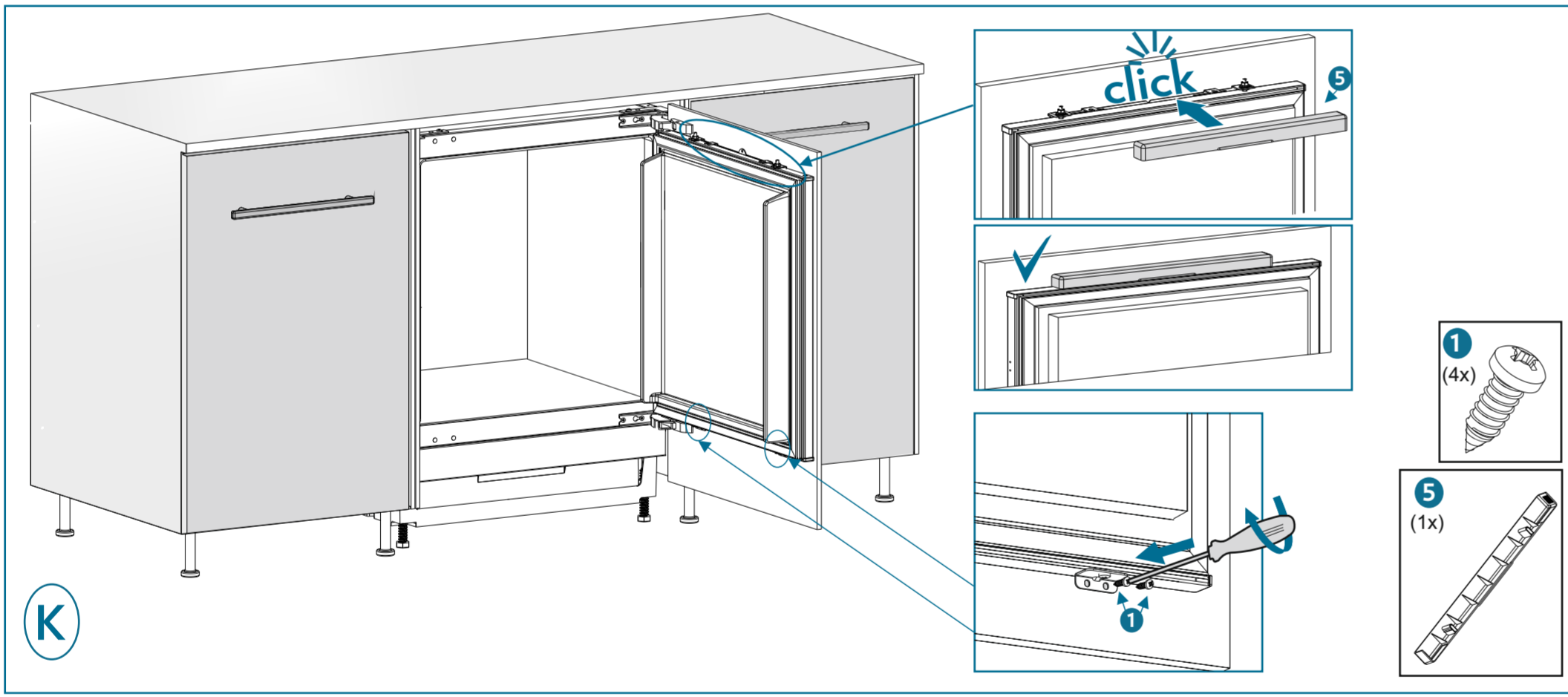
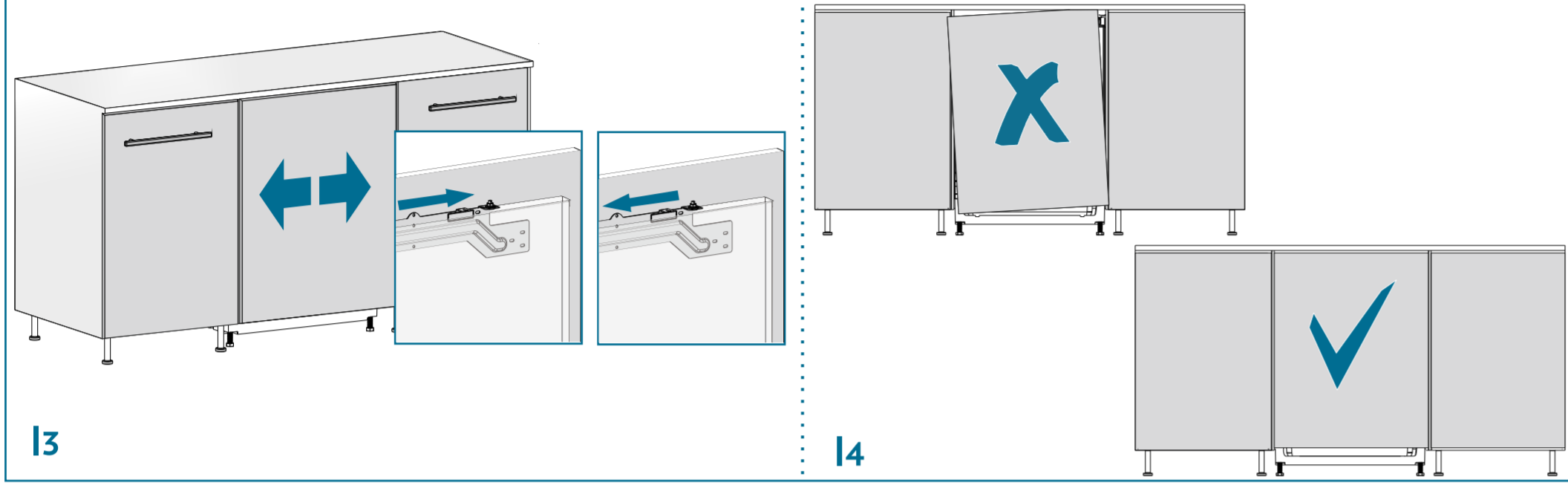
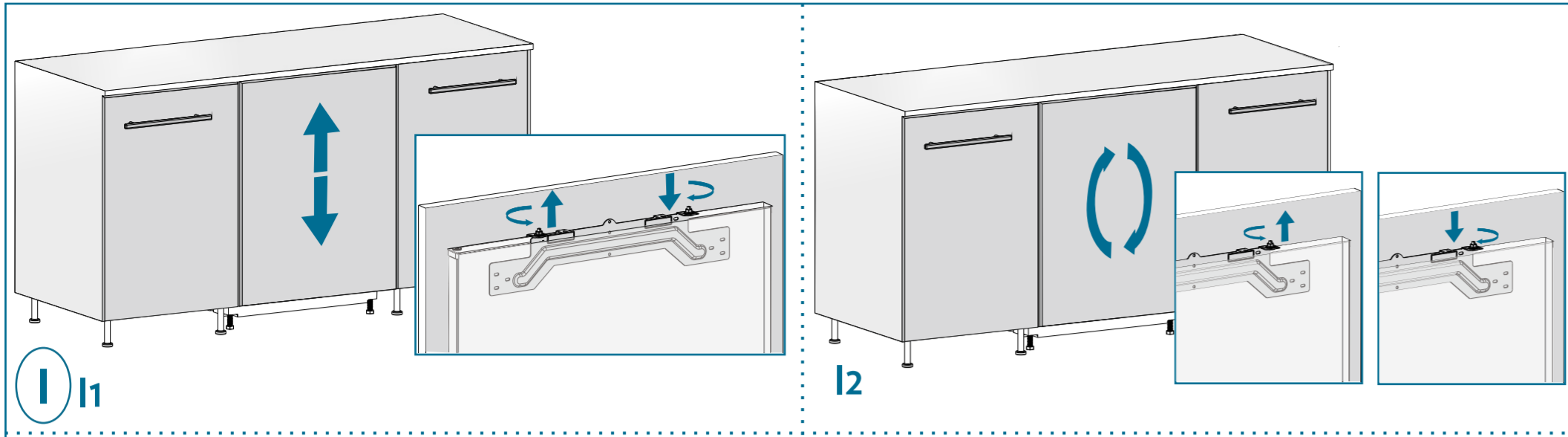
### 1.4 Electrical information (For UK type plug)

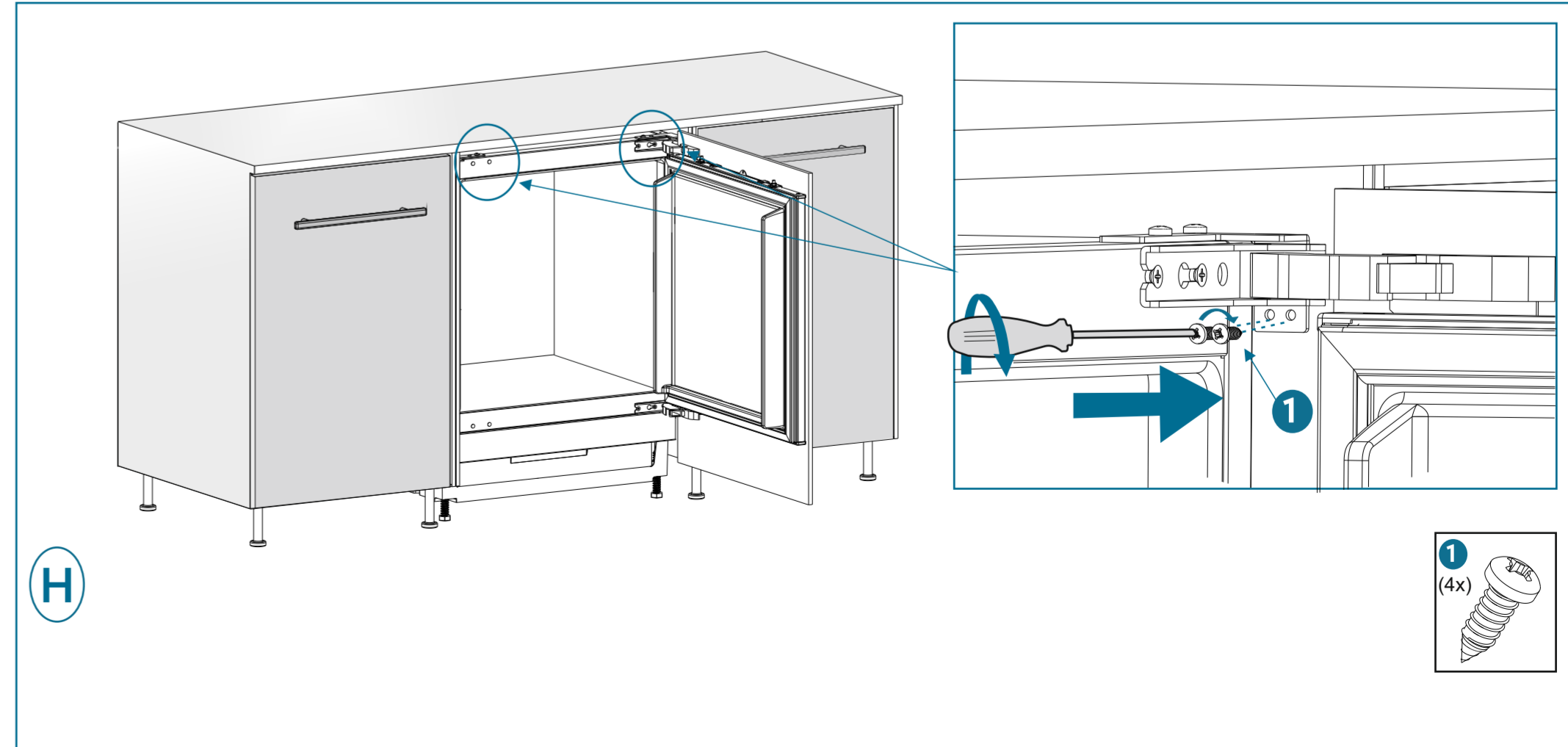
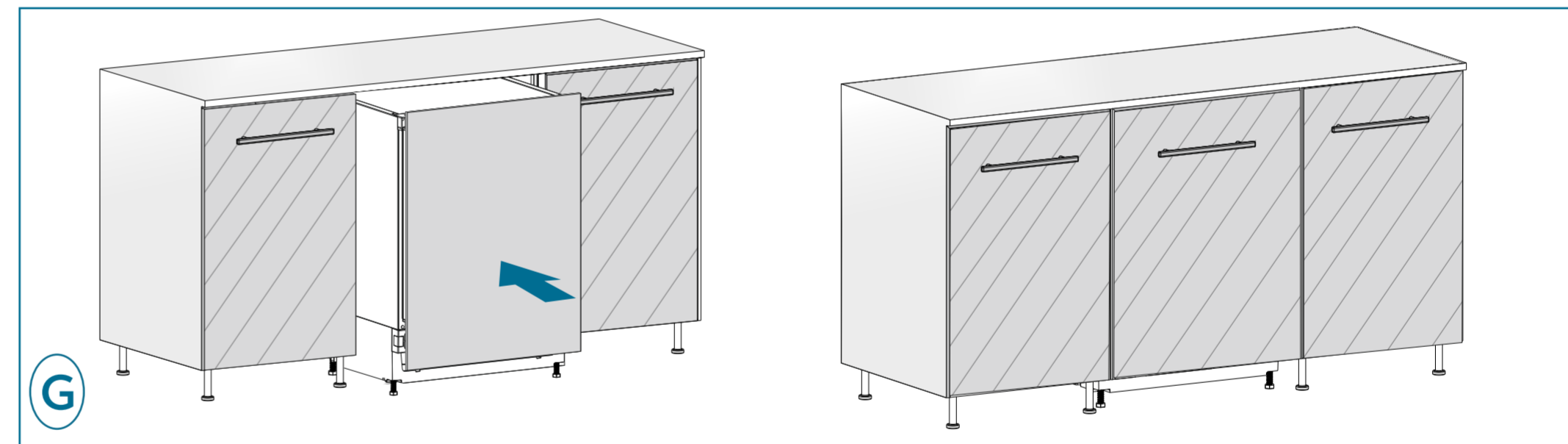
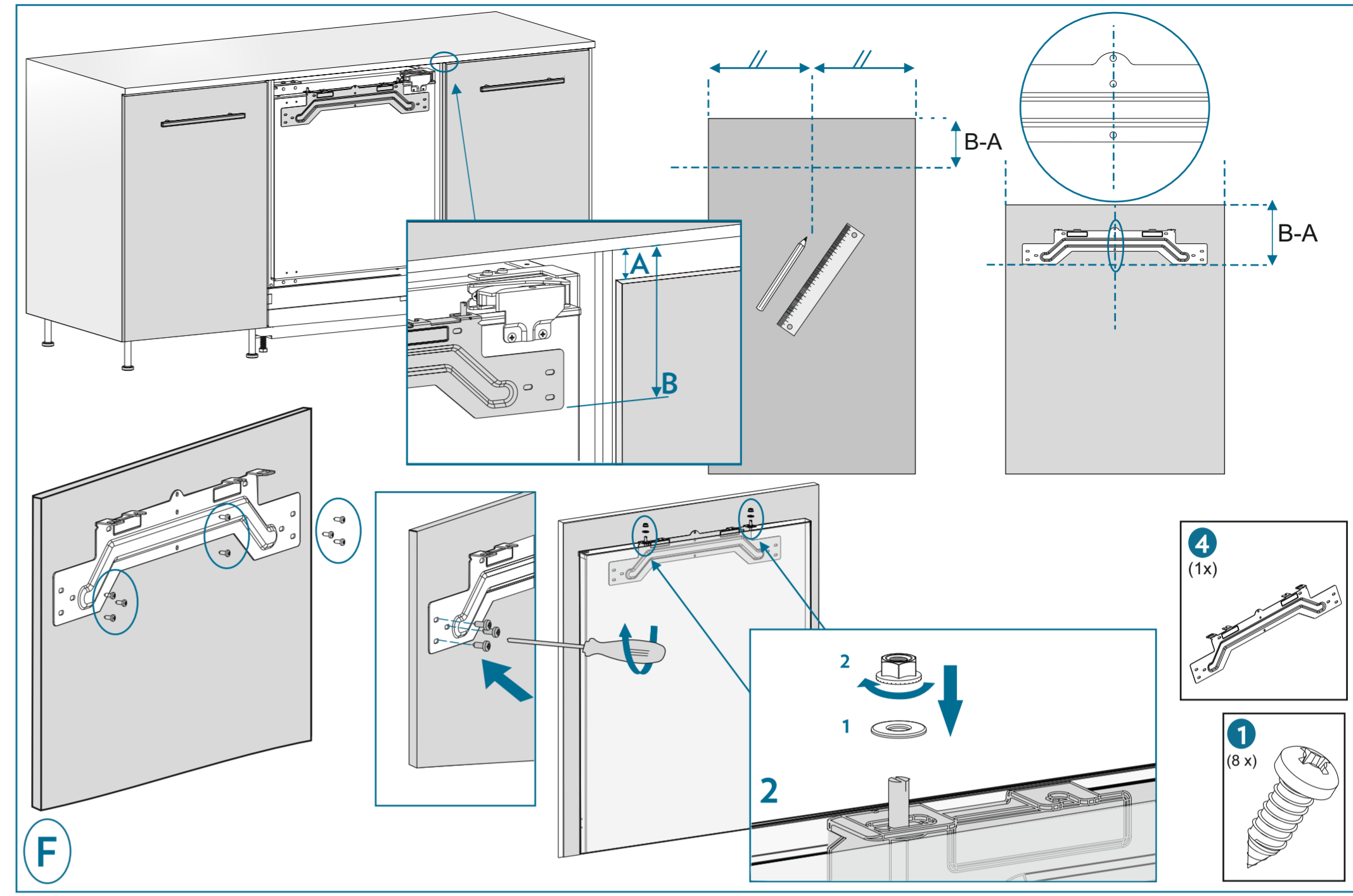
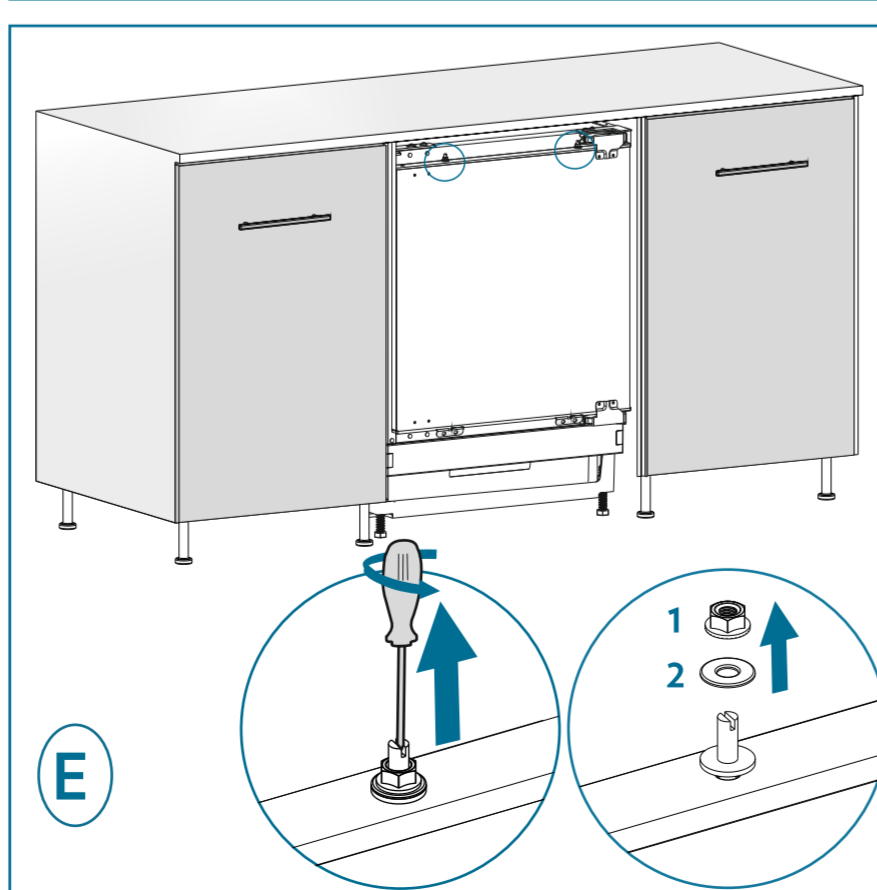
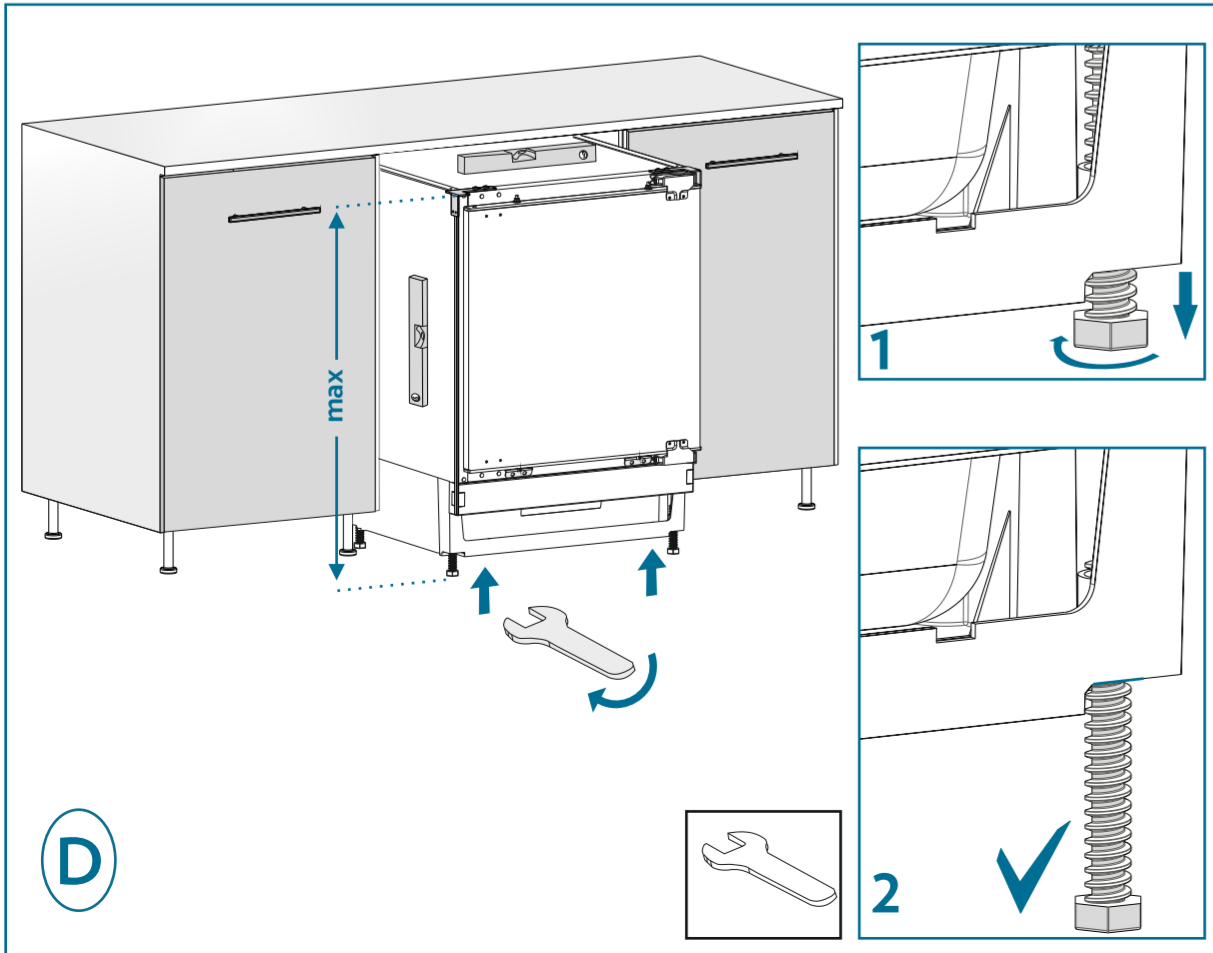
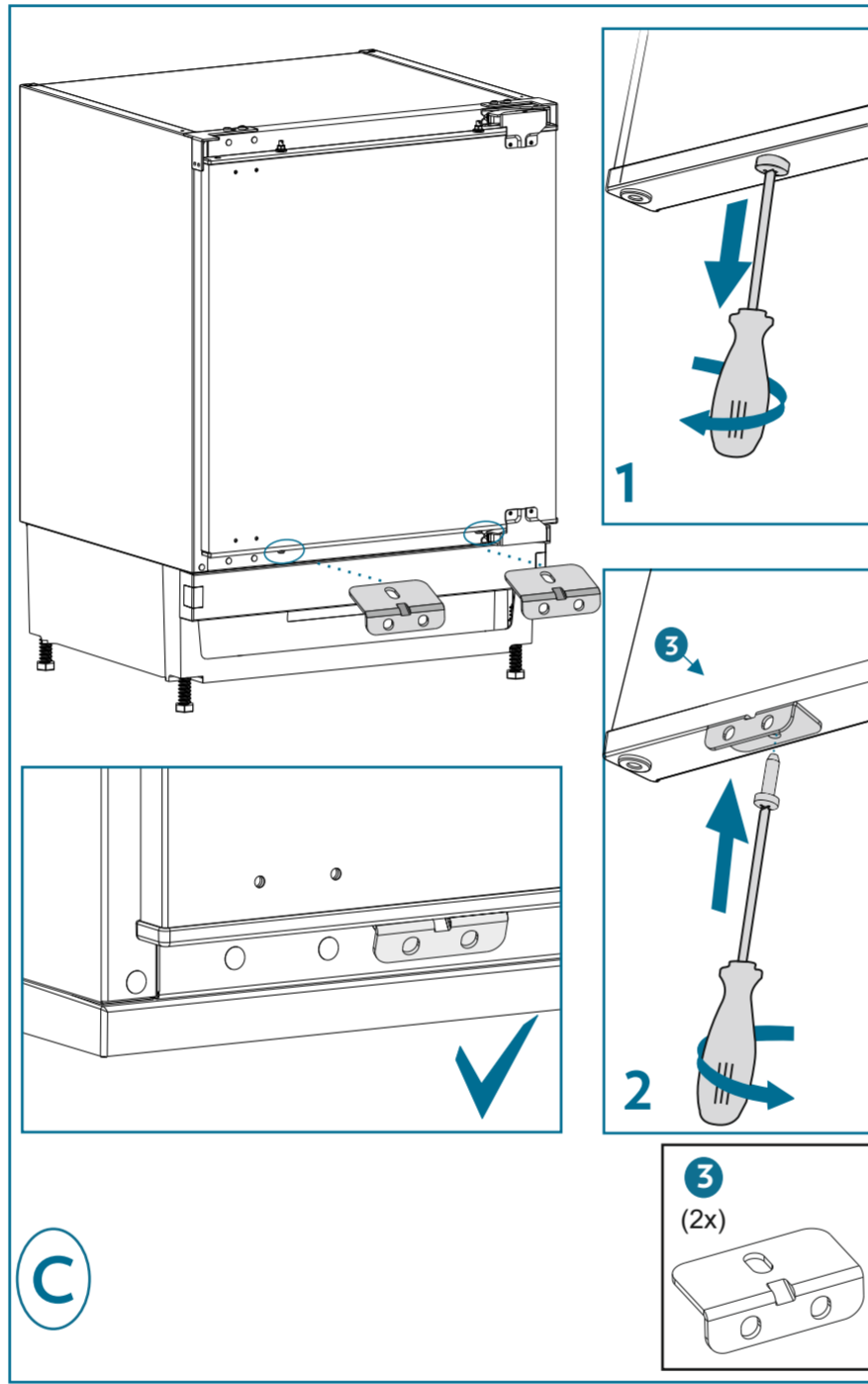
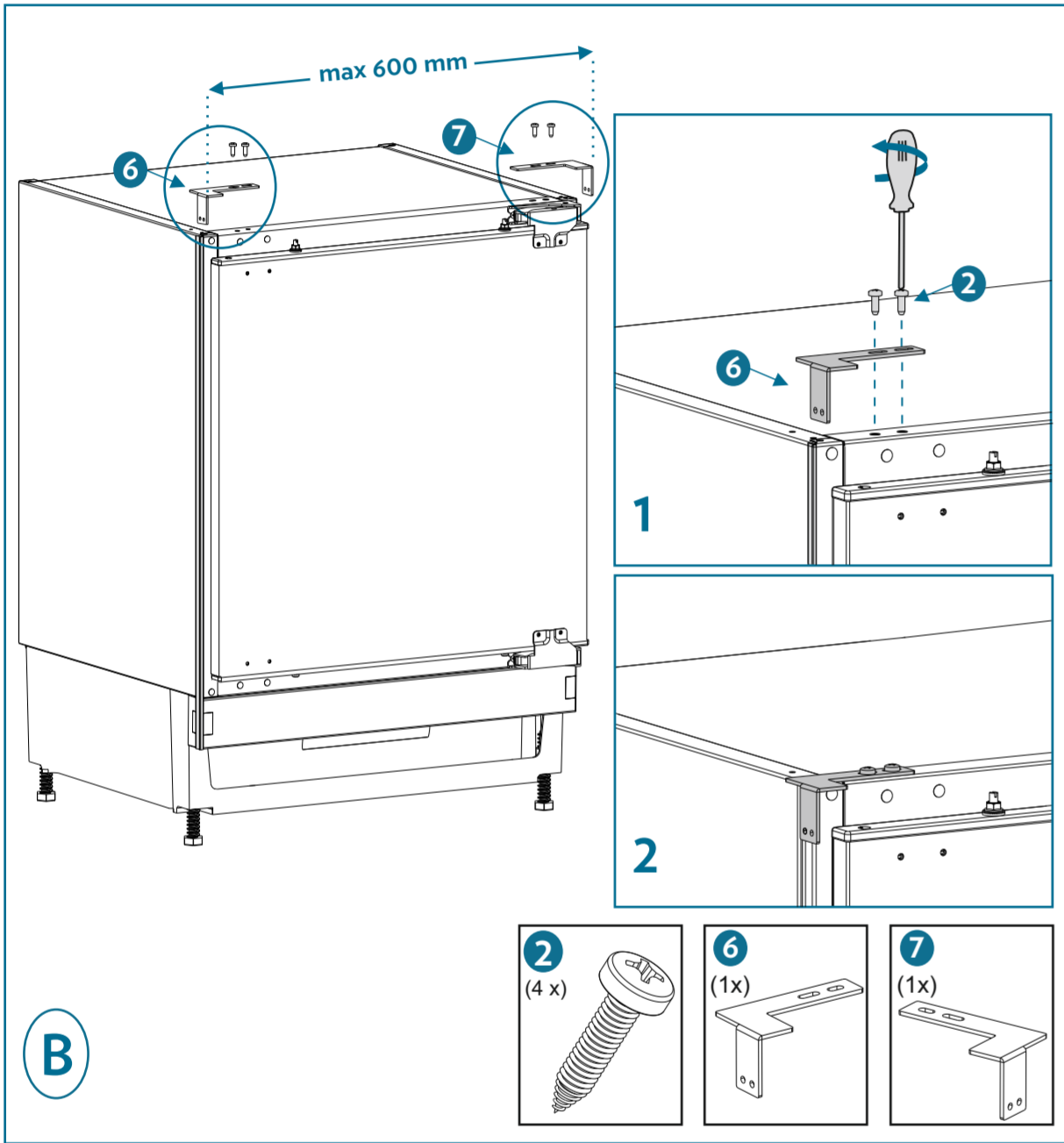
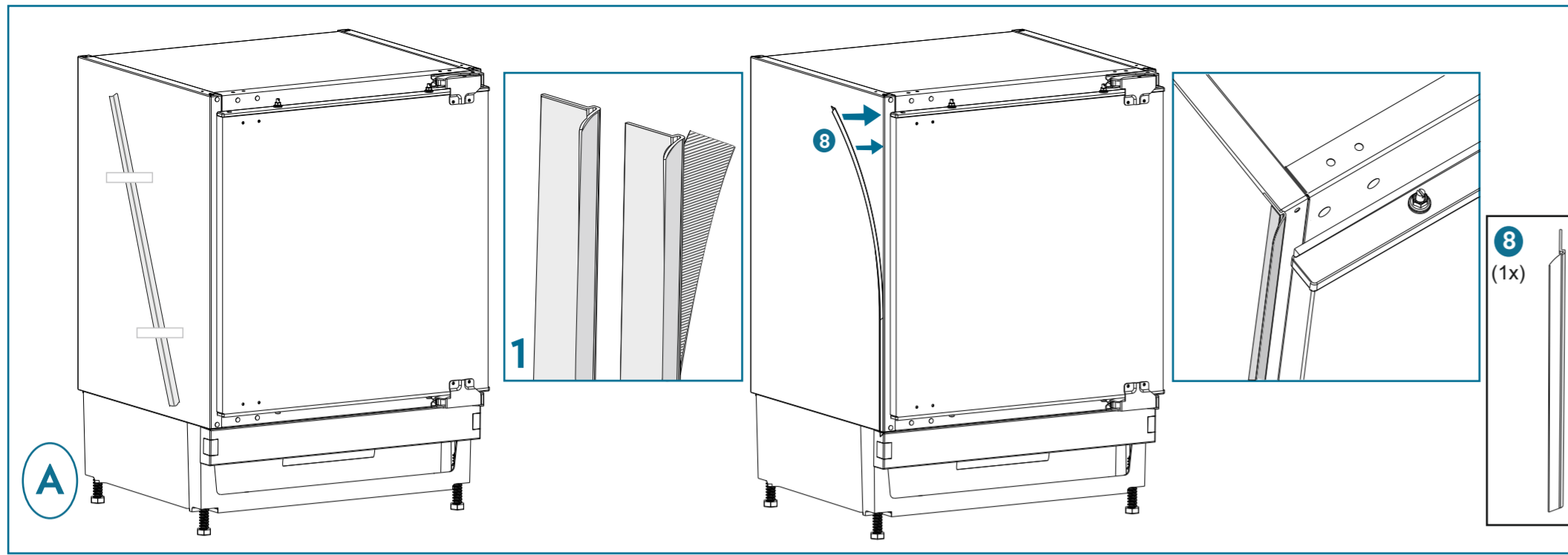
 **Warning!** This appliance must be earthed.

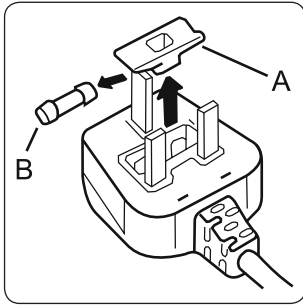
The mains lead of this appliance has been fitted with a specially earthed plug.

 **Important:** Do not use the appliance without the fuse cover in position. Should the fuse need to be replaced, it must be replaced with a 13A fuse, ASTA approved to BS1362.

The plug must be used with a specially earthed socket of 13 amperes. If there is no such socket in your house, please have one installed by an authorised electrician.



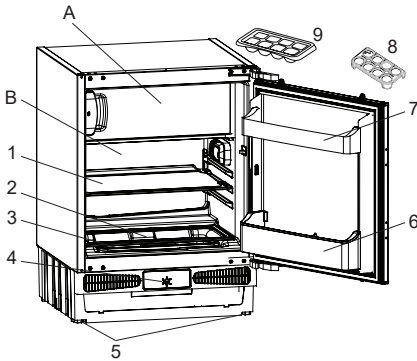





The mains lead of this appliance has been fitted with a BS 1363A 13A fused plug. To change a fuse in this type of plug, follow the steps below:

1. Remove the fuse cover and fuse.
2. Fit replacement 13A fuse, ASTA approved to BS 1362 type, into the fuse cover.
3. Replace fuse cover.

## 2 DESCRIPTION OF THE APPLIANCE



 This presentation is only for information about the parts of the appliance. Parts may vary according to the appliance model.

- A) Freezer compartment  
B) Refrigerator compartment

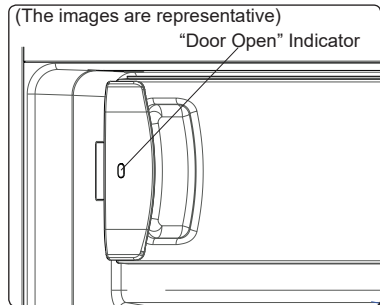
- 1) Refrigerator shelf
- 2) Crisper cover
- 3) Crisper
- 4) Thermostat knob


- 5) Levelling feet
- 6) Bottle shelf
- 7) Door shelf (The images are representative)
- 8) Egg holder
- 9) Ice box tray

## 3 USING THE APPLIANCE

### “Door Open” Indicator;


The "Door Open" indicator on the handle shows whether the door has closed properly or whether it remains open. If the indicator is red, the door is still open. If the indicator is white, the door is properly closed.

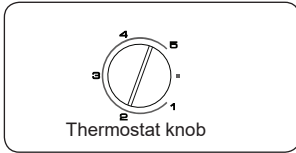


 The freezer door should always be kept closed. This will prevent food products from defrosting. Any heavy ice and frost build-up inside the freezer, and an unnecessary increase in energy consumption, will be avoided.

### 3.1 Thermostat Setting

The thermostat automatically regulates the temperature inside the cooler and freezer compartments. Refrigerator temperatures can be obtained by rotating the knob to higher numbers; 1 to 3, 1 to 5 or SF (Maximum numbers on the thermostat depends on your product.)

 **Important note:** Do not try to rotate the knob beyond position 1, it will stop your appliance from working.



### Thermostat settings:

- 1 – 2** : For short-term storage of food
- 3 – 4** : For long-term storage of food
- 5** : Maximum cooling position. The appliance will work longer. If required, change the temperature setting.

If device has SF position:

- Turn the knob to SF to freeze fresh food quickly. In this position, the freezer compartment will operate at lower temperatures. After your food freezes, turn the thermostat knob to its normal use position. If you do not change the SF position, your appliance work will automatically return to its last used thermostat position according to the time indicated in the note. Return the thermostat switch to the SF position and return it to normal use according to the time indicated in the note. If the thermostat switch is in the SF position when your appliance is first started, your appliance work will automatically return to the operation in the thermostat-3 position according to the time indicated in the note.

### 3.2 Temperature Settings Warnings

- Your appliance is designed to operate in the ambient temperature ranges stated in the standards, according to the climate class stated in the information label. It is not recommended that your fridge is operated in the environments which are outside of the stated temperature ranges. This will reduce the cooling efficiency of the appliance.
- Temperature adjustments should be made according to the frequency of door openings, the quantity of food kept inside the appliance and the ambient temperature in the location of your appliance.

- When the appliance is first switched on, allow it to run for 24 hours in order to reach operating temperature. During this time, do not open the door and do not keep a large quantity of food inside.
- A 5 minute delay function is applied to prevent damage to the compressor of your appliance when connecting or disconnecting to mains, or when an energy breakdown occurs. Your appliance will begin to operate normally after 5 minutes.

### Climate class and meaning:

**T (tropical):** This refrigerating appliance is intended to be used at ambient temperatures ranging from 16 °C to 43 °C.

**ST (subtropical):** This refrigerating appliance is intended to be used at ambient temperatures ranging from 16 °C to 38 °C.

**N (temperate):** This refrigerating appliance is intended to be used at ambient temperatures ranging from 16 °C to 32 °C.

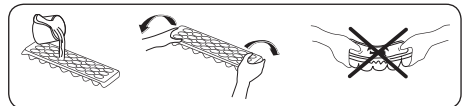
**SN (extended temperate):** This refrigerating appliance is intended to be used at ambient temperatures ranging from 10 °C to 32 °C.

### 3.3 Accessories

**Visual and text descriptions in the accessories section may vary according to the model of your appliance.**

#### 3.3.1 Ice Tray (*In some models*)

- Fill the ice tray with water and place in the freezer compartment.
- After the water has completely frozen, you can twist the tray as shown below to remove the ice cubes.



**Visual and text descriptions in the accessories section may vary according to the model of your appliance.**

## 4 FOOD STORAGE

### 4.1 Refrigerator Compartment

- To reduce humidity and avoid the consequent formation of frost, always store liquids in sealed containers in the refrigerator. Frost tends to concentrate in the coldest parts of the evaporating liquid and, in time, your appliance will require more frequent defrosting.
- Cooked dishes must remain covered when they are kept in the fridge. Do not place warm foods in fridge. Place them when they are cool, otherwise the temperature/humidity inside the fridge will increase, reducing the fridge's efficiency.
- Make sure no items are in direct contact with the rear wall of the appliance as frost will develop and packaging will stick to it. Do not open the refrigerator door frequently.
- We recommend that meat and clean fish are loosely wrapped and stored on the glass shelf just above the vegetable bin where the air is cooler, as this provides the best storage conditions.
- Store loose fruit and vegetable items in the crisper containers.
- Storing fruit and vegetables separately helps prevent ethylene-sensitive vegetables (green leaves, broccoli, carrot, etc.) being affected by ethylene-releaser fruits (banana, peach, apricot, fig etc.).
- Do not put wet vegetables into the refrigerator.
- Storage time for all food products depends on the initial quality of the food and an uninterrupted refrigeration cycle before refrigerator storage.
- Water leaking from meat may contaminate other products in the refrigerator. You should package meat products and clean any leakages on the shelves.
- Do not put food in front of the air flow

passage.

- Consume packaged foods before the recommended expiry date.

Do not allow food to come into contact with the temperature sensor, which is located in the refrigerator compartment, in order to keep the refrigerator compartment at optimum temperature.

- For normal working conditions, it will be sufficient to adjust the temperature setting of your refrigerator to +4 °C.
- The temperature of the fridge compartment should be in the range of 0-8 °C, fresh foods below 0 °C are iced and rotted, bacterial load increases above 8 °C, and spoils.
- Do not put hot food in the refrigerator immediately, wait for the temperature to pass outside. Hot foods increase the degree of your refrigerator and cause food poisoning and unnecessary spoiling of the food.
- Meat, fish, etc. should be store in the chiller compartment of the food, and the vegetable compartment is preferred for vegetables. (if available)
- To prevent cross contamination, meat products and fruit vegetables are not stored together.
- Foods should be placed in the refrigerator in closed containers or covered to prevent moisture and odors.

The table below is a quick guide to show you the most efficient way to store the major food groups in your refrigerator compartment.

Food	Maximum storage time	How and where to store
<b>Vegetables and fruits</b>	1 week	Vegetable bin
<b>Meat and fish</b>	2 - 3 days	Wrap in plastic foil, bags, or in a meat container and store on the glass shelf
<b>Fresh cheese</b>	3 - 4 days	On the designated door shelf

Food	Maximum storage time	How and where to store
Butter and margarine	1 week	On the designated door shelf
Bottled products e.g. milk and yoghurt	Until the expiry date recommended by the producer	On the designated door shelf
Eggs	1 month	On the designated egg shelf
Cooked food	2 days	All shelves

**NOTE:**



Potatoes, onions and garlic should not be stored in the refrigerator.

### 4.2 Freezer Compartment

- The freezer is used for storing frozen food, freezing fresh food, and making ice cubes.
- Food in liquid form should be frozen in plastic cups and other food should be frozen in plastic folios or bags. For freezing fresh food; wrap and seal fresh food properly, that is the packaging should be air tight and shouldn't leak. Special freezer bags, aluminum foil polythene bags and plastic containers are ideal.
- Do not store fresh food next to frozen food as it can thaw the frozen food.
- Before freezing fresh food, divide it into portions that can be consumed in one sitting.
- Consume thawed frozen food within a short period of time after defrosting
- Always follow the manufacturer's instructions on food packaging when storing frozen food. If no information is provided food, should not be stored for more than 3 months from the date of purchase.
- When purchasing frozen food, make sure that it has been stored under appropriate conditions and that the packaging is not damaged.
- Frozen food should be transported in appropriate containers and placed in the


freezer as soon as possible.

- Do not purchase frozen food if the packaging shows signs of humidity and abnormal swelling. It is probable that it has been stored at an unsuitable temperature and that the contents have deteriorated.
- The storage life of frozen food depends on the room temperature, the thermostat setting, how often the door is opened, the type of food, and the length of time required to transport the product from the shop to your home. Always follow the instructions printed on the packaging and never exceed the maximum storage life indicated.
- If the freezer door has been left open for a long time or not closed properly, frost will form and can prevent efficient air circulation. To resolve this, unplug the freezer and wait for it to defrost. Clean the freezer once it has fully defrosted.
- The freezer volume stated on the label is the volume without baskets, covers, and so on.
- Do not refreeze thawed food. It may pose a danger to your health and cause problems such as food poisoning.

**NOTE:** If you attempt to open the freezer door immediately after closing it, you will find that it will not open easily. This is normal. Once equilibrium has been reached, the door will open easily.



The table below is a quick guide to show you the most efficient way to store the major food groups in your freezer compartment.

Meat and fish	Preparation	Maximum storage time (months)
<b>Steak</b>	Wrap in foil	6 - 8
<b>Lamb meat</b>	Wrap in foil	6 - 8
<b>Veal roast</b>	Wrap in foil	6 - 8
<b>Veal cubes</b>	In small pieces	6 - 8
<b>Lamb cubes</b>	In pieces	4 - 8
<b>Minced meat</b>	In packaging without using spices	1 - 3
<b>Giblets (pieces)</b>	In pieces	1 - 3
<b>Bologna sausage/salami</b>	Should be kept packaged even if it has a membrane	1 - 3
<b>Chicken and turkey</b>	Wrap in foil	4 - 6
<b>Goose and duck</b>	Wrap in foil	4 - 6
<b>Deer, rabbit, wild boar</b>	In 2.5 kg portions or as fillets	6 - 8
<b>Freshwater fish (Salmon, Carp, Crane, Catfish)</b>	After cleaning the bowels and scales of the fish, wash and dry it. If necessary, remove the tail and head.	2
<b>Lean fish (Bass, Turbot, Flounder)</b>		4
<b>Fatty fishes (Tuna, Mackerel, Bluefish, Anchovy)</b>		2 - 4
<b>Shellfish</b>	Clean and in a bag	4 - 6
<b>Caviar</b>	In its packaging, or in an aluminium or plastic container	2 - 3
<b>Snails</b>	In salty water, or in an aluminium or plastic container	3
 <b>NOTE:</b> Thawed frozen meat should be cooked as fresh meat. If the meat is not cooked after defrosting, it must not be re-frozen.		




Vegetables and Fruits	Preparation	Maximum storage time (months)
<b>String beans and beans</b>	Wash, cut into small pieces and boil in water	10 - 13
<b>Beans</b>	Hull, wash and boil in water	12
<b>Cabbage</b>	Clean and boil in water	6 - 8
<b>Carrot</b>	Clean, cut into slices and boil in water	12
<b>Pepper</b>	Cut the stem, cut into two pieces, remove the core and boil in water	8 - 10
<b>Spinach</b>	Wash and boil in water	6 - 9
<b>Cauliflower</b>	Remove the leaves, cut the heart into pieces and leave it in water with a little lemon juice for a while	10 - 12
<b>Eggplant</b>	Cut into pieces of 2cm after washing	10 - 12
<b>Corn</b>	Clean and pack with its stem or as sweet corn	12
<b>Apple and pear</b>	Peel and slice	8 - 10

Vegetables and Fruits	Preparation	Maximum storage time (months)
Apricot and Peach	Cut into two pieces and remove the stone	4 - 6
Strawberry and Blackberry	Wash and hull	8 - 12
Cooked fruits	Add 10 % of sugar to the container	12
Plum, cherry, sourberry	Wash and hull the stems	8 - 12

	Maximum storage time (months)	Thawing time at room temperature (hours)	Thawing time in oven (minutes)
Bread	4 - 6	2 - 3	4-5 (220-225 °C)
Biscuits	3 - 6	1 - 1,5	5-8 (190-200 °C)
Pastry	1 - 3	2 - 3	5-10 (200-225 °C)
Pie	1 - 1,5	3 - 4	5-8 (190-200 °C)
Phyllo dough	2 - 3	1 - 1,5	5-8 (190-200 °C)
Pizza	2 - 3	2 - 4	15-20 (200 °C)

Dairy products	Preparation	Maximum storage time (months)	Storage conditions
Packet (Homogenized) Milk	In its own packet	2 - 3	Pure Milk – in its own packet
Cheese - excluding white cheese	In slices	6 - 8	Original packaging may be used for short-term storage. Keep wrapped in foil for longer periods.
Butter, margarine	In its packaging	6	

## 5 CLEANING AND MAINTENANCE

-  Disconnect the unit from the power supply before cleaning.
-  Do not wash your appliance by pouring water on it.
-  Do not use abrasive products, detergents or soaps for cleaning the appliance. After washing, rinse with clean water and dry carefully. When you have finished cleaning, reconnect the plug to the mains supply with dry hands.
- Make sure that no water enters the lamp housing and other electrical components.
- The appliance should be cleaned regularly using a solution of bicarbonate of soda and lukewarm water.
- Clean the accessories separately by hand with soap and water. Do not wash accessories in a dish washer.

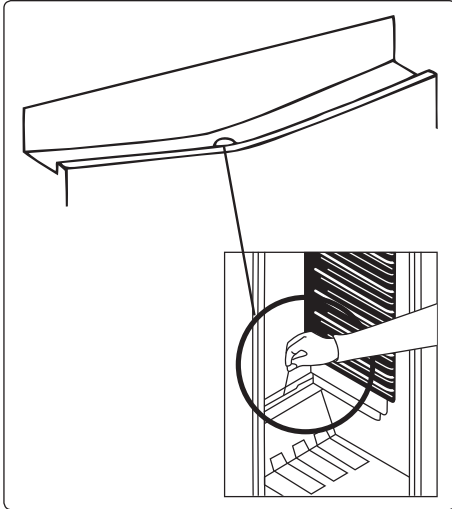
- Clean the condenser with a brush at least twice a year. This will help you to save on energy costs and increase productivity.



**The power supply must be disconnected during cleaning.**

## 5.1 Defrosting

### Defrosting the Refrigerator Compartment



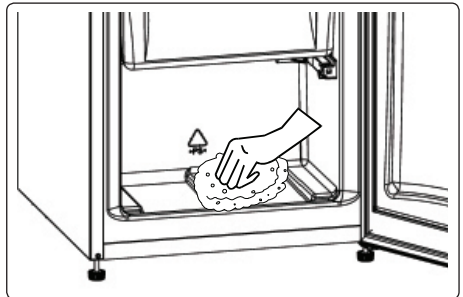
- Defrosting occurs automatically in the refrigerator compartment during operation. The water is collected by the evaporation tray and evaporates automatically.
- The evaporation tray and the water drain hole should be cleaned periodically with the defrost drain plug to prevent the water from collecting at the bottom of the refrigerator instead of flowing out.
- You can also clean the drain hole by pouring half a glass of water down it.

### Freezer defrosting process

- Small amounts of frost will accumulate inside the freezer, depending on the length of time the door may be left open or the amount of moisture introduced. It is essential to ensure that no frost or ice is allowed to form in places where it will affect the close fitting of the door seal. This might allow air to penetrate the cabinet, encouraging continuous running of the compressor. Thin frost formation is quite soft and can be removed with a brush or plastic scraper. Do not use metal or sharp scrapers, mechanical devices or other means to accelerate the defrosting process. Remove all dislodged frost from

the cabinet floor. It is not necessary to switch off the appliance for the removal of thin frost.


- For the removal of heavy ice deposits, disconnect the appliance from the mains supply, empty the contents into cardboard boxes and wrap in thick blankets or layers of paper to keep cool. Defrosting will be most effective if carried out when the freezer is nearly empty and should be carried out as quickly as possible to prevent an unnecessary increase in the temperature of the contents.
- Do not use metal or sharp scrapers, mechanical devices or other means to accelerate the defrosting process. An increase in temperature of frozen food during defrosting will shorten the storage life. Keep contents well wrapped and cool while defrosting is taking place.

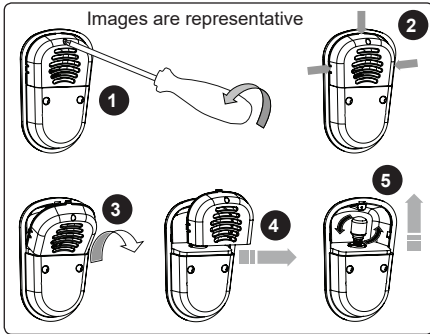


- Dry the inside of the compartment with a sponge or a clean cloth.
- To accelerate the defrosting process, place one or more bowls of warm water in the freezer compartment.
- Examine the contents when replacing them in the freezer and if some of the packages have thawed out, they should be eaten within 24 hours, or be cooked and re-frozen.
- After defrosting is complete, clean the inside of the appliance with a solution of warm water and a little bicarbonate of soda, then dry thoroughly. Wash all removable parts in the same way and reassemble. Reconnect the appliance to the mains supply and leave for 2 to

3 hours on setting number MAX before introducing the food back into the freezer.

## 5.2 Replacing the Light Bulb


 **Important note:** Unplug the unit from the power supply before start the process.



1. If available, remove the screw on the light cover by screw driver. (Fig.1)
  2. Press the hooks on light cover. (Fig. 2)
  3. Open the light cover towards arrow when top hooks pull out from housing. (Fig. 3)
  4. Pull out the cover towards arrow remove it. (Fig. 4)
  5. Turn the light bulb counter clockwise and remove it. (Fig. 5)
6. Change the present light bulb with a new one of not more than 15 W. (Fig. 5)
  7. Implement the steps in reverse order.
  8. After waiting 5 minutes, plug the unit.

### Replacing LED Lighting

To replace any of the LEDs, please contact the nearest Authorised Service Centre.


 **Note:** The numbers and location of the LED strips may change according to the model.

## 6 SHIPMENT AND REPOSITIONING

### 6.1 Transportation and Changing Positioning

- The original packaging and foam may be kept for re-transportation (optional).

- Fasten your appliance with thick packaging, bands or strong cords and follow the instructions for transportation on the packaging.
- Remove all movable parts or fix them into the appliance against shocks using bands when re-positioning or transporting.

 Always carry your appliance in the upright position.

## 7 BEFORE CALLING AFTER-SALES SERVICE

If you are experiencing a problem with your **appliance**, please check the following before contacting the after-sales service.

### Your appliance is not operating

#### Check if:

- There is power
- The plug is correctly placed in the socket
- The plug fuse or the mains fuse has blown
- The socket is defective. To check this, plug another working appliance into the same socket.

### The appliance performs poorly

#### Check if:

- The appliance is overloaded
- The appliance door is closed properly
- There is any dust on the condenser
- There is enough space near the rear and side walls.

### Your appliance is operating noisily

#### Normal noises

#### Cracking noise occurs:

- During automatic defrosting
- When the appliance is cooled or warmed (due to expansion of appliance material).

**Short cracking noise occurs:** When the thermostat switches the compressor on/off.

**Motor noise:** Indicates the compressor is operating normally. The compressor may cause more noise for a short time when it is first activated.

**Bubbling noise and splash occurs:**

Due to the flow of the refrigerant in the tubes of the system.

**Water flowing noise occurs:** Due to water flowing to the evaporation container. This noise is normal during defrosting.

**Air blowing noise occurs:** In some models during normal operation of the system due to the circulation of air.

**The edges of the appliance in contact with the door joint are warm**

Especially during summer (warm seasons), the surfaces in contact with the door joint may become warmer during the operation of the compressor, this is normal.

**There is a build-up of humidity inside the appliance****Check if:**

- All food is packed properly. Containers must be dry before being placed in the **appliance**.
- The **appliance** door is opened frequently. Humidity of the room enters the **appliance** when the doors are opened. Humidity increases faster when the doors are opened more frequently, especially if the humidity of the room is high.

**The door does not open or close properly****Check if:**

- There is food or packaging preventing the door from closing
- The door joints are broken or torn
- Your **appliance** is on a level surface.

**Recommendations**

- If the appliance is switched off or unplugged, wait at least 5 minutes before plugging the appliance in or restarting it in order to prevent damage to the compressor.
- If you will not use your appliance for a long time (e.g. in summer holidays) unplug it. Clean your appliance according to chapter cleaning and leave the door open to prevent humidity and smell.
- If a problem persists after you have followed all the above instructions, please

consult the nearest authorised service centre.

- The appliance you have purchased is designed for domestic use only. It is not suitable for commercial or common use. If the consumer uses the appliance in a way that does not comply with this, we emphasise that the manufacturer and the dealer will not be responsible for any repair and failure within the guarantee period.

**8 TIPS FOR SAVING ENERGY**

1. Install the appliance in a cool, well-ventilated room, but not in direct sunlight and not near a heat source (such as a radiator or oven) otherwise an insulating plate should be used.
2. Allow warm food and drinks to cool before placing them inside the appliance.
3. Place thawing food in the refrigerator compartment if available. The low temperature of the frozen food will help cool the refrigerator compartment while the food is thawing. This will save energy. Frozen food left to thaw outside of the appliance will result in a waste of energy.
4. Drinks or other liquids should be covered when inside the appliance. If left uncovered, the humidity inside the appliance will increase, therefore the appliance uses more energy. Keeping drinks and other liquids covered helps preserve their smell and taste.
5. Avoid keeping the doors open for long periods and opening the doors too frequently as warm air will enter the appliance and cause the compressor to switch on unnecessarily often.
6. Keep the covers of the different temperature compartments (such as the crisper and chiller if available) closed.
7. The door gasket must be clean and pliable. In case of wear, replace the gasket.

## 7 قبل الاتصال بخدمة ما بعد البيع

إذا كنت تواجه مشكلة في جهازك، يرجى التحقق مما يلي قبل الاتصال بخدمة ما بعد البيع.

### جهازك لا يعمل

#### تحقق مما يلي:

- وجود طاقة
- تم وضع القابس بشكل صحيح في المقبس
- انفجر فيوز القابس أو التيار الكهربائي
- مقبس التيار الكهربائي معيب. للتحقق من هذا، ضع جهاز آخر يعمل في المقبس نفسه.

### أداء الجهاز ضعيف

#### تحقق مما يلي:

- الجهاز متقل
- باب الجهاز مغلق بشكل صحيح
- وجود غبار على المكثف
- وجود مساحة كافية في الجدران الخلفية والجانبية.

### جهازك يصدر ضوضاء

#### ضوضاء طبيعية

#### تحدث طقطقة:

- أثناء الإذابة التلقائية للثلج
- عندما يتم تبريد الجهاز أو تسخينه (بسبب تمدد المواد المصنوع منها الجهاز).

**تحدث طقطقة قصيرة:** عندما يقوم الثرموستات بتشغيل/إيقاف تشغيل ضاغط الثلجة.

**ضوضاء الموتور:** تشير إلى أن الضاغط يعمل بشكل طبيعي. قد يصدر الضاغط مزيداً من الضوضاء لفترة قصيرة عند تشغيله لأول مرة.

**صوت رذاذ وحدث فقاعي:** نتيجة تدفق غاز التبريد في أنابيب النظام.

**يحدث ضوضاء تدفق المياه:** بسبب تدفق المياه إلى حاوية التخزين. يكون ذلك الضوضاء طبيعي أثناء إزالة الثلج.

**يصدر صوت يشبه هبوب الرياح:** في بعض الطرازات أثناء التشغيل العادي للنظام بسبب دوران الهواء.

#### حواف الجهاز التي تلامس مفصل الباب دايفة

خلال فصل الصيف (المواسم الدافئة)، قد تصبح الأسطح الملامسة لمفصل الباب أكثر دفئاً أثناء تشغيل الضاغط، وهذا أمر طبيعي.

### هناك تراكم للرطوبة داخل الجهاز

#### تحقق مما يلي:

- جميع الأطعمة معبأة بشكل صحيح. يجب أن تكون الحاويات جافة قبل وضعها داخل الجهاز.
- يتم فتح باب الجهاز بشكل متكرر. تدخل رطوبة الغرفة إلى الجهاز عند فتح الأبواب. تزداد الرطوبة بشكل أسرع عند فتح الأبواب بشكل متكرر، وخاصة إذا كانت نسبة الرطوبة

في الغرفة مرتفعة.

### الباب لا يفتح أو يغلق بشكل صحيح

#### تحقق مما يلي:

- هناك طعام أو عبوة تمنع الباب من الإغلاق
- مفصلات الأبواب تالفة أو ممزقة
- الجهاز الخاص بك على سطح مستوي.

#### التوصيات

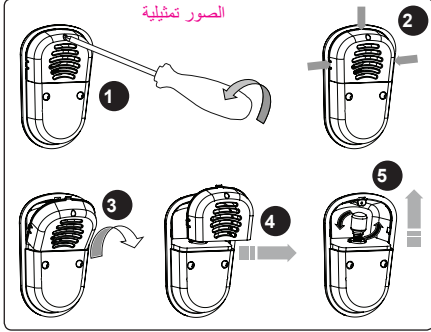
- إذا تم إيقاف تشغيل الجهاز أو نزع القابس، فعليك الانتظار لمدة 5 دقائق على الأقل قبل توصيل الجهاز بالطاقة أو إعادة تشغيله كي لا يتلف الضاغط.
- إذا كنت لن تستخدم جهازك لفترة طويلة (على سبيل المثال طوال العطلة الصيفية)، فقم بفصله عن التيار الكهربائي. عليك تنظيف الجهاز وفقاً لفصل التنظيف وترك الباب مفتوحاً لمنع الرطوبة والرائحة.
- إذا استمرت المشكلة بعد اتباع جميع التعليمات أعلاه، يرجى استشارة أقرب مركز صيانة معتمد.
- الجهاز الذي اشتريته مصمم للاستخدام المنزلي فقط. فهو غير مناسب للاستخدام التجاري أو المشترك. إذا استخدم المستهلك الجهاز بطريقة لا تتوافق مع هذه التعليمات، فنحن نؤكد أن الجهة المصنعة والتاجر لن يتحملا مسؤولية أي إصلاحات أو أعطال خلال فترة الضمان.

## 8 نصائح لتوفير الطاقة

1. قم بتريكيب الجهاز في غرفة باردة جيدة التهوية وليست معرضة لأشعة الشمس المباشرة وليس بالقرب من مصدر للحرارة (مثل المبرد أو الفرن) وإلا يجب استخدام لوحة عازلة.
2. اترك الطعام والمشروبات الساخنة حتى تبرد قبل وضعها داخل الجهاز.
3. ضع الطعام المذاب في مقصورة الثلجة، إن وجدت. فإن درجة الحرارة المنخفضة للمواد الغذائية المجمدة ستساعد على تبريد مقصورة الثلجة أثناء إذابتها. وهذا سيوفر الطاقة. سيؤدي الطعام المجمد المتروك ليذوب خارج الجهاز إلى إهدار الطاقة.
4. يجب تغطية المشروبات أو السوائل الأخرى عندما تكون داخل الجهاز. إذا لم يتم تغطيتها، ستزداد الرطوبة داخل الجهاز، وبالتالي فإن الجهاز سيستخدم المزيد من الطاقة. كما أن تغطية المشروبات والسوائل الأخرى تساعد في الحفاظ على رائحتها وطعمها.
5. تجنب إبقاء الأبواب مفتوحة لفترات طويلة وفتح الأبواب بمعدل متكرر للغاية، إذ إن الهواء الدافئ سيدخل الجهاز ويتسبب في تشغيل الضاغط في كثير من الأحيان دون داع.
6. احرص على إغلاق أغطية المقصورات ذات درجات الحرارة المختلفة (الدرج الحافظ للأغذية، وحدة التبريد إن وجدت).
7. يجب أن تكون سداية الباب نظيفة ومرنة. في حالة التلف، استبدل السداية.

## 5.2 استبدال مصباح الإضاءة

**ملاحظة مهمة:** افصل قابس الكهرباء عن الجهاز قبل بدء التشغيل.



1. فك البرغي الموجود على غطاء مصباح الإضاءة - إن وجد- باستخدام مفك براغي. (الشكل 1)
2. اضغط على الخطاطيف الموجودة على غطاء مصباح الإضاءة. (الشكل 2)
3. افتح غطاء المصباح تجاه السهم عند سحب الخطاطيف العلوية من المبيت. (الشكل 3)
4. اسحب الغطاء تجاه السهم لتزيله. (الشكل 4)
5. أدر عداد مصباح الإضاءة عكس عقارب الساعة وأزله. (الشكل 5)
6. قم بتغيير مصباح الإضاءة الموجود بواحد جديد قدرته لا تزيد على 15 وات. (الشكل 5)
7. طبق الخطوات بترتيب معاكس.
8. بعد انتظار 5 دقائق، وصل الجهاز بالكهرباء.

### استبدال لمبة LED

لاستبدال أي من مصابيح LED، يرجى الاتصال بأقرب مركز خدمة معتمد.

**ملاحظة:** قد يتم تغيير عدد وأماكن شرائط مصابيح LED وفقاً للطراز.

## 6 الشحن وضبط الموضع

### 6.1 النقل وتغيير الموضع

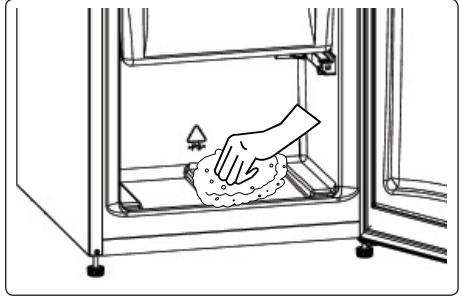
- ينبغي الحفاظ على العبوة الأصلية والفوم لإعادة النقل (اختياري).
- قم بتثبيت الجهاز الخاص بك في عبوة سمكية أو أربطة أو حبال قوية واتبع الإرشادات الخاصة بالنقل الموجودة على العبوة.
- أزل كل الأجزاء المتحركة أو قم بتثبيتها داخل الجهاز ضد الصدمات باستخدام الأربطة أثناء تغيير الموضع أو النقل. احمل الجهاز في وضع مستقيم دائماً.



هذا إلى تسرب الهواء للوحدة، وبالتالي يتسبب في تشغيل مستمر للضاغط. يمكن إزالة قطع الجليد الصغيرة اللينة والرقيقة بسهولة باستخدام فرشاة أو مكشطة بلاستيكية. يجب عدم استخدام أدوات ميكانيكية أو أية وسائل أخرى للتسريع من عملية إزالة التجميد، بخلاف الأدوات التي توصي بها الجهة المصنعة. قم بإزالة جميع قطع الجليد من على أرضية الوحدة. لا يلزم إيقاف تشغيل الجهاز لإزالة قطع الجليد الصغيرة.

- لإزالة رواسب الثلج الثقيلة، افصل الجهاز عن إمدادات التيار الكهربائي وأفرغ محتوياتها في صناديق من الورق المقوى و قم بلفها في بطانيات السمكة أو طبقات من الورق للحفاظ على البرودة. ستكون عملية إزالة الثلج أكثر فعالية إذا قمت بها والفريزر فارغاً تقريباً، وينبغي أن يتم ذلك في أسرع وقت ممكن لمنع حدوث ارتفاع غير مبرر في درجة حرارة المحتويات.

- يجب عدم استخدام أدوات ميكانيكية أو أية وسائل أخرى للتسريع من عملية إزالة التجميد، بخلاف الأدوات التي توصي بها الجهة المصنعة. ارتفاع درجة الحرارة الطعام المجمد خلال عملية إزالة الثلج سوف يقصر من العمر التخزيني. لف المحتويات جيداً وحافظ على برودتها في أثناء عملية إزالة الثلج.



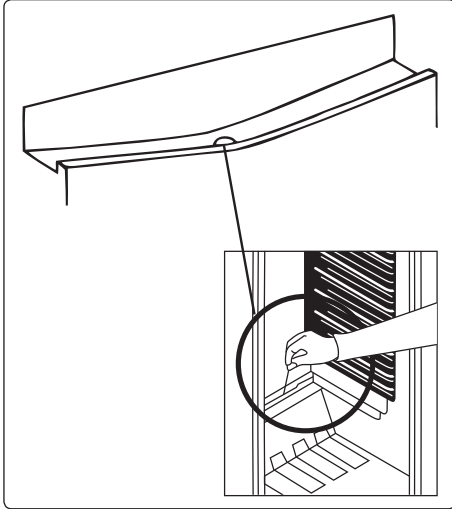
- جفف الوحدة من الداخل بإسفنجة أو قطعة قماش نظيفة .
- لتسريع عملية إزالة الثلج، ضع إناء أو أكثر من المياه الدافئة في مقصورة الفريزر.
- افحص المحتويات عند إعادة وضعها في الفريزر وإذا لاحظت ذوبان بعضاً من الطعام المجمد، يجب أن يُستهلك في غضون 24 ساعة أو يتم طهيهِ وإعادة تجميده من جديد.
- بعد الانتهاء من إزالة الثلج، نظف الجزء الداخلي من الجهاز بمحلول من الماء الدافئ مع بيكربونات الصودا، ثم جففه جيداً، اغسل جميع الأجزاء القابلة للإزالة بالطريقة نفسها وأعد تجميعها. أعد توصيل الجهاز بالتيار الكهربائي واتركه لمدة 2-3 ساعات على وضع رقم MAX قبل وضع الطعام مرة أخرى في الفريزر.

وقت إذابة التجمد في الفرن (بالدقائق)	وقت إذابة التجمد في درجة حرارة الغرفة (بالساعات)	أقصى مدة للتخزين (بالشهر)	
4-5 (220-225 C°)	2-3	4-6	الخبز
5-8 (190-200 درجة مئوية)	1-1,5	3-6	البسكويت
5-10 (200-225 درجة مئوية)	2-3	1-3	معجنات
5-8 (190-200 درجة مئوية)	3-4	1-1,5	فطيرة
5-8 (190-200 درجة مئوية)	1-1,5	2-3	عجينة فيلو
15-20 (200 درجة مئوية)	2-4	2-3	بيتزا

شروط التخزين	أقصى مدة للتخزين (بالشهر)	الإعداد	منتجات الألبان
لبن صافي - في العبوة الخاصة به	2-3	في العبوة الخاصة به	لبن معبأ (متجانس)
يمكن استخدام العبوة الأصلية للتخزين قصير الأجل. استمر في لفها في فويل لتخزينها لفترة أطول.	6-8	على هيئة شرائح	جبين - ما عدا الجبن الأبيض
	6	في عبوتها	الزبد، السمن الصناعي

### 5.1 إزالة الثلج

#### إزالة الثلج من مقصورة الثلجة



- تحدث عملية إزالة الثلج تلقائيًا داخل مقصورة الثلجة في أثناء التشغيل. يجمع درج التبخير المياه، التي تتبخّر تلقائيًا.
- يجب تنظيف درج تبخير المياه وفتح تصريف المياه دوريًا مع إزالة سداة الصرف لمنع المياه من التراكم بالجزء السفلي للثلجة بدلاً من صرفها.
- يمكنك أيضًا تنظيف فتحة التصريف عن طريق صب نصف كوب من الماء عليها.

#### عملية إزالة الثلج

- تتراكم كميات صغيرة من الثلج داخل الفريزر حسب طول الوقت الذي يتم ترك الباب مفتوحًا فيه أو كمية الرطوبة التي دخلت الجهاز. من المهم التحقق من تفادي تكون الجليد أو الثلج في أماكن قد تؤثر على قفل إغلاق الباب. فقد يؤدي


### 5 التنظيف والصيانة

- **افصل الجهاز عن التيار الكهربائي قبل التنظيف.**
- لا تغسل الجهاز عن طريق صب الماء عليه.
- لا تستخدم منتجات المنظفات الكاشطة أو القوية أو الصابون لتنظيف الجهاز. بعد الغسيل، اشطفه باستخدام مياه نظيفة وجفقه بعناية. بعد الانتهاء من التنظيف، أعد توصيل القابس بمصدر التيار الكهربائي بأيدي جافة.
- تأكد من عدم دخول الماء إلى مبيت المصباح والعناصر الكهربائية الأخرى.
- يجب تنظيف الجهاز بشكل دوري باستخدام محلول بيكربونات الصودا والماء الفاتر.
- نظف الإكسسوارات يدويًا بشكل منفصل بالماء والصابون. لا تنظف الإكسسوارات في غسالة الأطباق.
- نظف المكثف بفرشاة مرتين في السنة على الأقل. سيساعدك ذلك على توفير تكاليف الطاقة وزيادة الإنتاجية.
- يجب فصل قابس الكهرباء عن الجهاز أثناء التنظيف.

اللحوم والأسماك	الإعداد	أقصى مدة للتخزين (بالأشهر)
شرايح لحم	يُلف في رقائق	8 - 6
لحم الضأن	يُلف في رقائق	8 - 6
قطع لحم العجل	يُلف في رقائق	8 - 6
مكعبات لحم العجل	في قطع صغيرة	8 - 6
مكعبات لحم الضأن	على هيئة قطع	8 - 4
لحم مفروم	يُغلف في عبوات بدون استخدام التوابل	3 - 1
أحشاء طائر (قطع)	على هيئة قطع	3 - 1
المسجق/السلامي	يجب إبقاء معبأ حتى إذا كان به أغشية	
الدجاج والديك الرومي	يُلف في رقائق	6 - 4
الأوز والبط	يُلف في رقائق	6 - 4
الغزلان، الأرانب، والحيوانات البرية	على هيئة كميات تبلغ 2.5 كجم وكشرايح فيليه	8 - 6
أسماك المياه العذبة (السلمون، الشبوط، الكرين، القرموط)	بعد تنظيف أحشاء وقشور الأسماك، يتم غسلها وتجفيفها. وعند اللزوم يتم قطع الذيل والرأس.	2
السمك النحل (البص، سمك الترس، الفلاوندر)		4
الأسماك الدهنية (التونة، الماكريل، سمك القنبر، الأتسوجو)		4 - 2
محار		يُنظف ويوضع في كيس
الكافيار	في عبوتها، أو داخل حاوية من البلاستيك أو الألومنيوم	3 - 2
الحلزون	في مياه مالحة، أو داخل حاوية من البلاستيك أو الألومنيوم	3
ملاحظة: يجب طهي اللحم المجمد بعد ذوبانه ك لحم طازج. إذا لم يتم طهي اللحم بعد إذابته، يجب عدم تجميده مجدداً.		



الخضار و الفواكه	الإعداد	أقصى مدة للتخزين (بالأشهر)
الفاصوليا والفول	يُغسل ويقطع إلى قطع صغيرة وتُغلى في الماء	13 - 10
الفول	يتم تشويره ويُغسل ثم يغلى في الماء	12
الكرنب	يغسل ويغلى في الماء	8 - 6
الجزر	يُغسل ويقطع إلى شرائح ثم يغلى في الماء	12
الفلفل	يتم قطع الجذع، ويقطع إلى قطعتين ويتم إزالة القلب ثم يغلى في الماء	10 - 8
السيباج	يغسل ثم يغلى في الماء	9 - 6
القرنبيط	أزل الأوراق، وقطع القلب إلى قطع، واتركه في الماء مع قليل من عصير الليمون لفترة من الوقت	12 - 10
البانجنجان	يقطع إلى أجزاء بطول 2 سم بعد غسله	12 - 10
الذرة	تُغسل وتعبأ بالساق أو كثرة حلوة	12
التفاح والكمثرى	يتم تشويرها وتقطع إلى شرائح	10 - 8
المشمش والخوخ	يقطع إلى قطعتان ويتم إزالة البذرة	6 - 4
الفراولة والتوت الأسود	يتم غسله وتشويره	12 - 8
الفواكه المطهية	أضف 10% من السكر إلى الوعاء	12
برقوق وكرز وفراولة	يتم غسله وتشوير الجنوع	12 - 8

- لا تخزن الطعام الساخن بجانب الطعام المجمد إذ قد يؤدي ذلك إلى ذوبان الطعام المجمد.
  - قبل تجميد الطعام الطازج، قسمه إلى كميات يمكن استخدامها في المرة الواحدة.
  - استهلك الطعام المجمد المذاب خلال فترة قصيرة من إزالة الثلج
  - اتبع دائماً تعليمات المصنع الواردة على عبوة الطعام في حال تخزين الطعام المجمد. وإذا لم يتم توفير معلومات على العبوة، فلا يجب تخزين الطعام لما يزيد على 3 أشهر من تاريخ الشراء.
  - عند شراء الطعام المجمد، تأكد من أنه تم تخزينه تحت ظروف ملائمة وأن العبوة ليست تالفة.
  - يجب نقل الطعام المجمد في حاويات ملائمة ووضعه في الفريزر في أقرب وقت ممكن.
  - لا تشتري الطعام المجمد إذا ظهر على العبوة علامات الرطوبة أو انتفاخ غير معتادة. فمن المحتمل أنه قد تم تخزينه في درجة حرارة غير مناسبة وقد تدهورت حالة محتوياته.
  - تعتمد فترة حياة الطعام المجمد على درجة حرارة الغرفة، وإعداد الثرموستات، ومعدل تكرار فتح الباب، ونوع الطعام، والمدة الزمنية المطلوبة لنقل المنتج من المتجر إلى منزلك. عليك دائماً اتباع التعليمات المطبوعة على العبوة وعدم تجاوز فترة التخزين القصوى المُشار إليها.
  - في حالة ترك باب الفريزر مفتوحاً لفترة طويلة أو غير مغلق بصورة صحيحة، سيتكون الجليد ويمكنه أن يُعيق الدوران الفعال للهواء. لحل هذه المشكلة، افصل الفريزر عن الطاقة واتركه حتى يذوب الجليد. نظف الفريزر بمجرد انتهاء عملية ذوبان الجليد.
  - حجم الفريزر المذكور على الملصق هو حجمه دون إضافة السلات والأغطية وما شابه.
  - لا تعد تجميد الطعام المُذاب. فهذا قد يُشكل خطراً على صحتك ويسبب مشاكل مثل التسمم الغذائي.
- ملاحظة:** إذا حاولت فتح باب الفريزر بعد إغلاقه مباشرة، ستجد أنه لن يُفتح بسهولة. وهذا أمر طبيعي. بعد الوصول إلى حالة التوازن، سيُفتح الباب بسهولة.
-  يعد الجدول أدناه دليلاً سريعاً يظهر لك أفضل طريقة فعالة لتخزين مجموعات الأظعمة الرئيسية في مقصورة الفريزر.

## مقصورة التلاجة.

- لظروف التشغيل العادية، سيكون من الكافي تعديل إعدادات درجة الحرارة للتلاجة إلى +4 درجة مئوية.
- درجة حرارة مقصورة التلاجة يجب أن تكون في نطاق 0-8 درجة مئوية، الأطعمة الجاهزة أدنى من 0 درجة مئوية ستكون مجمدة وتالفة وسيزداد الحمل الكهربائي عند أعلى من 8 درجة مئوية ويتسبب في تلف الطعام.
- لا تضع الطعام في التلاجة على الفور، انتظر حتى تنخفض درجة الحرارة بالخارج. تزيد الأطعمة الساخنة من درجة التلاجة وتسبب في تسلم الطعام والتلف غير ضروري للطعام.

- اللحم، الأسماك، .. إلخ يجب تخزينها في مقصورة التبريد للأطعمة، ويُفضل استخدام مقصورة الخضراوات للخضراوات. (عند الإتاحة).

- لمنع التلوث المتبادل، لا يجب تخزين منتجات اللحم، والفواكه والخضراوات معاً.

- يجب وضع الأطعمة في التلاجة في حاويات مغلقة أو تغطيتها لمنع الرطوبة في الروائح.

- يعد الجودل أدناه دليلاً سريعاً يظهر لك أفضل طريقة فعالة لتخزين مجموعات الأطعمة الرئيسية في مقصورة التلاجة.

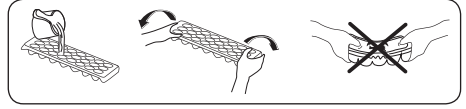
الطعام	أقصى مدة للتخزين	كيف التخزين ومكانه
الخضراوات والفواكه	أسبوع واحد	درج الخضراوات
اللحم والأسماك	يومين - 3 أيام	تُلف في رقائق أو أكياس بلاستيكية، أو في حاوية اللحم وتُخزن على الرف الزجاجي
الجبين الطازج	3 - 4 أيام	على رف الباب المحدد
الزبد والسمن	أسبوع واحد	على رف الباب المحدد
المنتجات المعبأة في زجاجات مثل الحليب والزبادي	حتى تاريخ انتهاء الصلاحية الذي أوصى به المنتج	على رف الباب المحدد
البيض	شهر واحد	على رف البيض المحدد
الطعام المطهى	يومان	في جميع الأرفف

## ملاحظة:

- يجب ألا تُحفظ البطاطس والبصل والثوم في التلاجة.

## 4.2 مقصورة الفريزر

- يستخدم الفريزر في تخزين الطعام المجمد، وتجميد الطعام الطازج، وصنع مكعبات الثلج.
- يجب تجميد الطعام السائل في أكواب بلاستيكية ويجب تجميد غيره من الطعام في أوراق الفويل أو الأكياس البلاستيكية لتجميد المواد الغذائية الطازجة؛ فم بلف وإحكام الغلق على المواد الغذائية الطازجة بشكل صحيح، بحيث يكون التغليف محكماً ولا يسرب. تعتبر أكياس التلاجة الخاصة ورقائق الألومنيوم وأكياس النايلون والحاويات البلاستيكية مثالية لهذا الأمر.



قد تختلف الأوصاف المرئية، والنصية لقسم الملحقات حسب طراز جهازك.

## 4 تخزين الأطعمة

### 4.1 مقصورة التلاجة

- للحد من الرطوبة وتجنب توابعها المتمثلة في تكون الثلج، خزن السوائل دائماً في حاويات مغلقة جيداً في التلاجة. يميل الثلج للتركز في أكثر الأجزاء برودة من السائل المتبخر وبمرور الوقت سيطلب جهازك إزالة الثلج على نحو أكثر تكراراً.
- ينبغي الحفاظ على تغطية الأطباق التي بها طعام مطهو عند وضعها في التلاجة. لا تضع طعاماً ساخناً في التلاجة، ضعه عندما يبرد، وإلا فستزداد درجة الحرارة/الرطوبة داخل التلاجة، ما ينتج منه انخفاض كفاءة التلاجة.
- احرص على عدم ملامسة أي عنصر للجدار الخلفي للجهاز لأن ذلك سيؤدي إلى تكون الجليد والتساق العبوات به. لا تفتح باب التلاجة على نحو متكرر.
- نوصي بتغليف اللحم والأسماك النظيفة بشكل سائب وتخزينها على الرف الزجاجي أعلى صندوق الخضراوات مباشرةً حيث يكون الهواء أكثر برودة، حيث يوفر هذا أفضل ظروف تخزين.
- خزن الفواكه والخضراوات السائبة في حاويات مقصورة الطعام الطازج.
- يساعد تخزين الفواكه والخضراوات بشكل منفصل على منع تأثير الخضراوات الحساسة للإيثيلين (ذات الأوراق الخضراء، والقرنبيط، والجزر، الخ) على الفواكه التي تفرز الإيثيلين (الموز، والخوخ، والشمش، والتين الخ) لا تضع الخضراوات الرطبة في التلاجة.
- يعتمد وقت التخزين لجميع المواد الغذائية على جودة الغذاء الأولية وعدم انقطاع دورة التبريد قبل التخزين بالتلاجة.
- قد يؤثر تسرب الماء من اللحم سلباً على المنتجات الأخرى في التلاجة. يجب تغليف منتجات اللحم وتظيف أي تسربات من على الأرفف.
- لا تضع الطعام أمام تيار الهواء المتدفق.
- استهلك الأطعمة المغلقة قبل تاريخ انتهاء الصلاحية الموصى به.
- لا تدع الطعام يلامس مستشعر درجة الحرارة الواقع في مقصورة التلاجة، وذلك للحفاظ على درجة الحرارة المثلى في

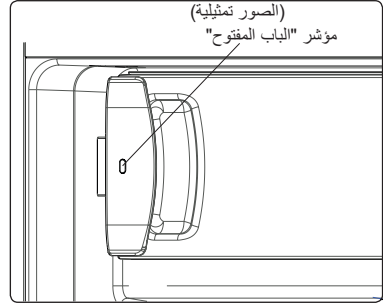
### 3 استخدام الجهاز

#### مؤشر "الباب المفتوح"؛

يوضح مؤشر «الباب المفتوح» الموجود على المقيض ما إذا كان الباب مغلق بصورة صحيحة أم أنه ما زال مفتوحًا.

إذا كان المؤشر أحمر، فالباب ما زال مفتوحًا.

إذا كان المؤشر أبيض، فالباب مغلق بشكل صحيح.

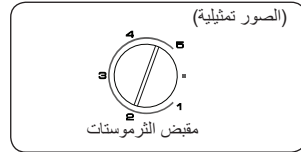


ينبغي أن يظل باب الفريزر مغلقًا دائمًا. هذا سيمنع الطعام من الذوبان. وسيجنبك أي تراكم كثيف للثلج أو الجليد داخل الفريزر وأي زيادة غير ضرورية في استهلاك الطاقة.

#### 3.1 ضبط الترموستات

ينظم الترموستات درجة الحرارة تلقائيًا داخل مقصورات وحدة التبريد والفريزر. يمكن ضبط درجات حرارة التلاجة عن طريق إدارة المقيض إلى أرقام أعلى؛ 1 إلى 3، 1 إلى 5 أو SF (تعتمد أعلى أرقام في الترموستات على منتجك).

**ملاحظة مهمة:** لا تحاول تدوير المقيض بما يتجاوز الوضع 1، فسيؤدي ذلك إلى توقف جهازك عن العمل.



#### إعدادات الترموستات:

1 - 2 : لتخزين الطعام لفترة قصيرة

3 - 4 : لتخزين الطعام لفترة طويلة

5 : وضع التبريد الأقصى. سيعمل الجهاز لفترة أطول. قم بتغيير إعدادات درجة الحرارة إذا لزم الأمر.

إذا كان الجهاز به وضع التجميد الفائق:

• أدر المقيض على التجميد السريع (SF) لتجميد الأطعمة الطازجة بسرعة. وفي هذا الوضع، ستعمل حجرة المجمد في درجات الحرارة المنخفضة. بعد تجميد طعامك، أدر

مقيض الترموستات لوضع الاستخدام العادي. إذا لم تغير وضع التجميد الفائق (SF)، سيتحول الجهاز الخاص بك تلقائيًا للعمل على وضع الترموستات المستخدم آخر مرة، وفقًا للوقت المحدد في الملاحظة. أعد مفتاح الترموستات إلى وضع التجميد الفائق وأعدّه إلى الاستخدام العادي وفقًا للوقت المحدد في الملاحظة. إذا كان مفتاح الترموستات على وضع التجميد الفائق عند بدء الجهاز لأول مرة، فسيعود جهازك تلقائيًا إلى العمل في وضع الترموستات 3- وفقًا للوقت المحدد في الملاحظة.

#### 3.2 تحذيرات إعدادات درجة الحرارة

- صُمم الجهاز للعمل في نطاقات درجة الحرارة المحيطة المنصوص عليها في المعايير القياسية، وفقًا لفئة المناخ المبينة في ملصق المعلومات. لا يوصى بتشغيل التلاجة في البيئات الواقعة خارج نطاقات درجة الحرارة المنصوص عليها. فهذا سيؤدي إلى خفض كفاءة التبريد الخاصة بالجهاز.
- ينبغي إجراء التعديلات على درجة الحرارة وفقًا لمعدل تكرار فتح باب التلاجة ولكمية الأطعمة المحفوظة داخل الجهاز ودرجة الحرارة المحيطة لموقع جهازك.
- عند تشغيل الجهاز للمرة الأولى، اتركه يعمل لمدة 24 ساعة للوصول إلى درجة حرارة التشغيل. خلال هذه الفترة، لا تفتح الباب ولا تترك كمية كبيرة من الطعام بالداخل.
- يتم تفعيل وظيفة التأخير لمدة 5 دقائق لمنع تلف ضاغط الجهاز عند توصيله بالكهرباء أو فصله عنها، أو عند انقطاع التيار الكهربائي. سوف يعمل جهازك بشكل طبيعي بعد 5 دقائق.

#### فئات المناخ ومعانيها:

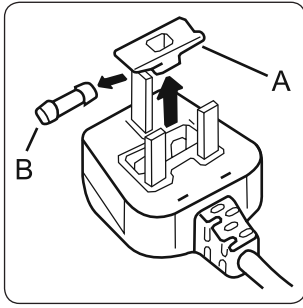
- T (استوائية):** هذه التلاجة مُعدة للاستخدام في درجات حرارة محيطية تتراوح بين 16 و 43 درجة مئوية.
- ST (شبه استوائية):** هذه التلاجة مُعدة للاستخدام في درجات حرارة محيطية تتراوح بين 16 و 38 درجة مئوية.
- N (معتدلة):** هذه التلاجة مُعدة للاستخدام في درجات حرارة محيطية تتراوح بين 16 و 32 درجة مئوية.
- SN (درجة حرارة موسعة):** هذه التلاجة مُعدة للاستخدام في درجات حرارة محيطية تتراوح بين 10 و 32 درجة مئوية.

#### 3.3 الملحقات

قد تختلف الأوصاف المرئية، والنصية لقسم الملحقات حسب طراز جهازك.

#### 3.3.1 صينية الثلج (في بعض الطرازات)

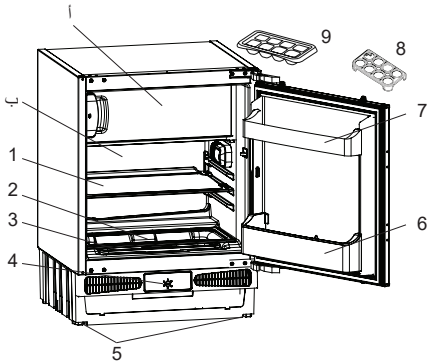
- عليك تعبئة درج الثلج بالمياه ووضعه في مقصورة صنع الثلج.
- بعد تجمد الماء بالكامل، يمكنك لف الدرجم كما هو موضح أدناه لفريغ مكعبات الثلج.



تم تجهيز سلك التيار الكهربائي لهذا الجهاز بقابس مزود بفيوز من نوع 13 أمبير حسب النوع BS 1363A. لتغيير فيوز في هذا النوع من القوابس، اتبع الخطوات التالية:

1. أزل الفيوز وغطاءه.
2. ركب فيوزًا بديلاً 13 أمبير معتمدًا من ASTA حسب النوع BS 1362 بغطاء الفيوز.
3. أعد تركيب غطاء الفيوز.

## 2 وصف الجهاز



هذا العرض التقديمي مُعد فقط للاطلاع على معلومات بشأن أجزاء الجهاز. قد تختلف الأجزاء وفقًا لطراز الجهاز.

- (أ) مقصورة الفريزر
- (ب) مقصورة الثلاجة

- (1) رف الثلاجة
- (2) غطاء الدرج الحافظ للأغذية
- (3) الدرج الحافظ للأغذية
- (4) مقبض الثرموستات
- (5) أرجل ضبط الارتفاع
- (6) رف الزجاجات
- (7) رف الباب

الصحيحة، ستساعد في منع العواقب السلبية المحتمل حدوثها للبيئة وصحة الإنسان، والتي من شأنها أن تنتج من التخلص من الجهاز بشكل خاطئ. ولمزيد من المعلومات المفصلة حول إعادة تدوير هذا الجهاز، يرجى الاتصال بالمكتب المحلي في مدينتك، أو خدمة التخلص من النفايات المنزلية أو المحل الذي اشتريت منه المنتج.

### التغليف والبيئة

تحمي مواد التغليف جهازك من التلف الذي قد يحدث أثناء النقل. جميع مواد التغليف صديقة للبيئة وقابلة لإعادة التدوير. يحد استخدام المواد المعاد تدويرها من استهلاك المواد الخام وبالتالي يقلل من إنتاج النفايات.



### ملاحظات:

- يرجى قراءة دليل التعليمات بعناية قبل تركيب الجهاز الخاص بك واستخدامه. نحن لسنا مسؤولين عن الضرر الذي يقع بسبب سوء الاستخدام.
- اتبع جميع التعليمات التي على الجهاز الخاص بك والموجودة بدليل التعليمات، واحفظ هذا الدليل في مكان آمن من أجل حل المشكلات التي قد تحدث في المستقبل.
- تم صنع هذا الجهاز لاستخدامه في المنازل، ولا يمكن استخدامه إلا في البيئة المحلية وللأغراض المحددة. فهو غير مناسب للاستخدام التجاري أو المشترك. وسوف يسبب مثل هذا الاستخدام إلغاء ضمان الجهاز ولن تكون شركتنا مسؤولة عن أي خسائر قد تتكبدها.
- تم صنع هذا الجهاز لاستخدامه في المنازل، وهو مناسب فقط لتدوير / تخزين الأطعمة. فهو غير مناسب للاستخدام التجاري أو المشترك و/أو لتخزين المواد الأخرى غير الأطعمة. شركتنا غير مسؤولة عن أي خسائر تتكبدها نتيجة للاستخدام غير الصحيح للجهاز.

### 1.4 معلومات كهربائية (قابس من نوع مخصص للمملكة المتحدة)

**تحذير!** يجب تأريض هذا الجهاز.

تم تجهيز سلك التيار الكهربائي لهذا الجهاز بقابس مؤرض بشكل خاص.

**مهم!** لا تستخدم الجهاز دون وضع غطاء الفيوز. إذا كان من الضروري استبدال الفيوز، يجب استبداله بفيوز 13 أمبير، ومعتمد من ASTA حسب النوع BS1362.

يجب استخدام هذا القابس مع مقبس مؤرض بشكل خاص من فئة 13 أمبير. إذا لم يكن هناك مقبس كهربائي مثل هذا في منزلك، يرجى تركيبه بواسطة اختصاصي كهرباء معتمد.

## 1.2 تحذيرات التركيب

قبل استخدام فريزر الثلجة لأول مرة، يرجى الانتباه إلى النقاط التالية:

- فولطية تشغيل فريزر الثلجة هي 220-240 فولت عند 50 هرتز.
- يجب أن يسهل الوصول إلى القابض بعد التركيب.
- قد يكون لفريزر الثلجة رائحة عند تشغيله لأول مرة. وهذا أمر طبيعي وستلاشى هذه الرائحة عندما يبدأ فريزر الثلجة في البرودة.
- قبل توصيل فريزر الثلجة، تأكد من أن المعلومات الواردة في لوحة البيانات (الفولطية والحمل الموصول) تطابق مصادر الكهرباء الرئيسية. في حالة وجود شكوك، استشر فني كهرباء مؤهل.
- قم بإدخال القابض في مقبس كهربائي ذي وصلة أرضية كافية. إذا كان المقبس لا يوجد به اتصال أرضي أو لا يتوافق القابض معه، فننصح عليك استشارة فني كهربائي معتمد لتقديم المساعدة.
- يجب توصيل الجهاز بمقبس ذي فيوز مثبت بشكل صحيح. يجب أن يتطابق مصدر الطاقة (AC) والفولطية عند نقطة التشغيل مع التفاصيل المدونة على لوحة اسم الجهاز (توجد اللوحة على الجانب الأيسر الداخلي للجهاز).
- لا تنحمل مسؤولية الأضرار التي قد تحدث بسبب الاستخدامات غير المبررة.
- ضع فريزر الثلجة في مكان بعيد عن أشعة الشمس المباشرة.
- ينبغي ألا يُستخدم فريزر الثلجة أبداً في العراء أو أن يترك تحت المطر.
- يجب أن يبتعد الجهاز عن المواقد وأفران الغاز والسخانات بما لا يقل عن 50 سم، وينبغي أن يبتعد عن الأفران الكهربائية بما لا يقل عن 5 سم.
- إذا وضعت فريزر الثلجة بالقرب من الديب فريزر، يجب أن يكون هناك على الأقل 2 سم بينهما لمنع تكون الرطوبة على السطح الخارجي.
- لا تغط جسم فريزر الثلجة أو أعلاه بالذاتيل. سيؤثر هذا على أداء فريزر الثلجة.
- يجب ترك مسافة لا تقل عن 150 ملم أعلى جهازك. لا تضع أي شيء أعلى جهازك.
- لا تضع الأشياء الثقيلة على الجهاز.
- قم بتنظيف الجهاز جيداً قبل استخدامه (راجع قسم التنظيف والصيانة).
- قبل استخدام فريزر الثلجة، قم بمسح جميع الأجزاء بمحلول من الماء الدافئ المضاف إليه ملعقة صغيرة من بيكربونات الصوديوم. ثم اشطفه بالمياه النظيفة وجفهاً. أعد جميع الأجزاء إلى فريزر الثلجة بعد التنظيف.
- يتضمن دليل التركيب إجراءات التركيب داخل وحدة المطبخ. هذا الجهاز مُعد للاستخدام في وحدات المطبخ المناسبة فقط.

- استخدم الأرجل الأمامية القابلة للضبط للتأكد من أن الجهاز في وضع مستو ومستقر. يمكنك ضبط الأرجل من خلال إدارتها في أي من الاتجاهين. يجب أن يتم هذا قبل وضع الطعام في الجهاز.

## 1.3 أثناء الاستخدام

- لا تقم بتوصيل فريزر الثلجة بالكابلات الرئيسية للإمداد بالطاقة الكهربائية باستخدام وصلات من الرصاص.
  - لا تستخدم المقابس الكهربائية التالفة أو المشقوقة أو القديمة.
  - لا تشد أو تثنى أو تلحق الضرر بالكابل.
  - يحظر استخدام مهائئ القابض.
  - هذا الجهاز مخصص لاستخدام البالغين. لا تسمح للأطفال بالعبث بهذا الجهاز أو بالتعلق بالباب.
  - لا تلمس كابل/قابض الطاقة بيدين مبتلئين. لأن ذلك قد يتسبب في حدوث ماس كهربائي أو صدمة كهربائية.
  - لا تضع الزجاجات أو عبء المشروبات في مقصورة صنع الثلج، لأنها ستنفجر عند تجمد محتواها.
  - لا تضع مواد متفجرة أو قابلة للاشتعال داخل الثلجة. ضع المشروبات التي تحتوي على نسبة عالية من الكحوليات في مقصورة ثلاجتك، واحرص على أن تكون فوهاتها مغلقة بإحكام.
  - لا تلمس الثلج عند إزالته من مقصورة صنع الثلج. قد يسبب الثلج حروق الصقيع و/ أو جروحاً.
  - لا تلمس السلع المجمدة بيدين مبتلئين. لا تتناول الأيس كريم أو مكعبات الثلج مباشرة بعد إخراجها من مقصورة صنع الثلج.
  - لا تعد تجميد الطعام المجمد المذاب. فقد يسبب هذا مشاكل صحية مثل التسمم الغذائي.
- ### الثلجات القديمة والمعطلة
- إذا كانت ثلاجتك القديمة أو الفريزر القديم به قفل، فقم بكسر هذا القفل أو إزالته قبل التخلص منه، لأن الأطفال قد يعلقون بداخله وقد يتسبب في وقوع حادث.
  - تحتوي أجهزة الثلجة والفريزر القديمة على مواد عزل والمبرد يحتوي على مركبات الكلوروفلوروكربون. لذلك، احرص على عدم الإضرار بالبيئة عند التخلص من الثلجات القديمة.
- ### إعلان المطابقة لمعايير اللجنة الأوروبية
- نعن أن منتجنا تلتقي التوجيهات والقرارات واللوائح الأوروبية المعمول بها والمتطلبات المدرجة في المعايير المشار إليها.

## التخلص من جهازك القديم

- يشير الرمز الموجود على المنتج أو على صندوق التعبئة إلى أنه لا يتعين التعامل مع هذا المنتج باعتباره من النفايات المنزلية. وبدلاً من ذلك، يُسلم الجهاز إلى نقطة التجميع المناسبة لإعادة تدوير المعدات الإلكترونية والكهربائية. ومن خلال التأكد أنه تم التخلص من هذا الجهاز بالطريقة



- إذا تعرض سلك التيار الكهربائي للتلف، يجب استبداله بواسطة الجهة المصنعة أو وكيل الصيانة المعتمد لديها أو شخص آخر مؤهل تجنبًا لحدوث المخاطر.
- لم يتم تصميم هذا الجهاز للاستخدام عند ارتفاعات تزيد عن 2000 متر.
- **لتجنب تلوث الطعام، يُرجى اتباع التعليمات التالية:**
- قد يتسبب فتح الباب لفترات طويلة في ارتفاع درجة حرارة مكونات الجهاز بشكل كبير.
- قم بتنظيف الأسطح التي من الممكن أن تلامس الطعام أو أنظمة الصرف التي يسهل الوصول إليها على نحو منتظم
- قم بتخزين اللحوم والأسماك النيئة في حاويات مناسبة في الثلاجة بحيث لا تكون ملائمة للأطعمة الأخرى ولا تتساقط النقاط عليها.
- تُعد مقصورات الطعام المجمد ذات النجمتين مناسبة لتخزين الطعام المجمد مسبقًا، وتخزين أو عمل الأيس كريم أو مكعبات الثلج.
- المقصورات ذات النجمة أو النجمتين أو الثلاث نجوم ليست مناسبة لتجميد الطعام الطازج.
- إذا تم ترك الجهاز المبرد فارغًا لفترات طويلة، فقم بإيقاف تشغيله وإزالة الثلج وتنظيفه وتجفيفه ثم اترك الباب مفتوحًا لمنع حدوث تعفن داخل الجهاز.

- صنع هذا الجهاز للاستخدام المنزلي والاستخدامات الداخلية مثل:
  - المطابخ الموجودة في المحلات والمكاتب وأماكن العمل الأخرى
  - في المزارع وبواسطة نزلاء الفنادق والموتيلات والأماكن السكنية الأخرى.
  - الفنادق التي توفر الإقامة والإفطار؛
  - المطاعم والأماكن المماثلة التي ليس فيها بيع بالتجزئة.
- في حالة عدم توافق المقبس الكهربائي مع قابس الثلاجة، يجب أن يتم استبداله بواسطة الجهة المصنعة، أو من الوكيل أو بواسطة الأشخاص المؤهلين لذلك من أجل تجنب المخاطر المحتملة.
- تم توصيل قابس مؤرض خاص بكابل الطاقة بالثلاجة. هذا القابس يجب أن يستخدم مع مقبس كهربائي مؤرض بشكل خاص من فئة 13 أمبير. إذا لم يكن هناك مقبس كهربائي مثل هذا في منزلك، يرجى تركيبه بواسطة اختصاصي كهرباء معتمد.
- يمكن للأطفال من سن 8 أعوام فأكثر استخدام هذا الجهاز ويمكن أيضاً للأشخاص من ذوي الاحتياجات الخاصة، الجسدية أو الحسية أو الذهنية أو الذين يفتقرون إلى الخبرة والمعرفة استخدام الجهاز إذا تم الإشراف عليهم أو إعطاؤهم تعليمات حول طريقة استخدام الجهاز بطريقة آمنة وحول فهم المخاطر المصاحبة. يجب على الأطفال عدم العبث بالجهاز. يحظر على الأطفال إجراء أعمال التنظيف والصيانة دون إشراف.
- يُسمح للأطفال الذين تتراوح أعمارهم بين 3 و8 أعوام بملء أجهزة التبريد وتفريغها. لا يُسمح للأطفال بإجراء أعمال التنظيف، أو صيانة الجهاز، ولا يُسمح للأطفال الصغار جداً (الذين تتراوح أعمارهم بين 0 و3 سنوات) باستخدام الأجهزة، أما بالنسبة للأطفال الصغار (الذين تتراوح أعمارهم بين 3 و8 سنوات)، فلا يُسمح لهم باستخدام الأجهزة بشكل آمن ما لم يتم الإشراف عليهم بشكل مستمر، ويُسمح للأطفال الأكبر سنّاً (الذين تتراوح أعمارهم بين 8 و14 عاماً) والأشخاص الضعفاء باستخدام الجهاز بشكل آمن بعد خضوعهم للإشراف المناسب، أو إعطاؤهم التعليمات المناسبة بشأن استخدام الجهاز. لا يُسمح للأشخاص الضعفاء جداً باستخدام الأجهزة ما لم يتم الإشراف عليهم بشكل مستمر.

# 1 تعليمات السلامة

## 1.1 تحذيرات السلامة العامة

اقرأ دليل المستخدم هذا بعناية.

**⚠ تحذير:** لا تضع عوائق في فتحات التهوية الخاصة في صندوق الجهاز أو الهيكل الداخلي.

**⚠ تحذير:** يجب عدم استخدام أدوات ميكانيكية أو أية وسائل أخرى للتسريع من عملية إزالة التجميد، بخلاف الأدوات التي توصي بها الجهة المصنعة.

**⚠ تحذير:** لا تستخدم أجهزة كهربائية داخل مقصورات حفظ المواد الغذائية بالجهاز، ما لم تكن من النوع الذي أوصت به الجهة المصنعة.

**⚠ تحذير:** لا تتلف دائرة التبريد.

**⚠ تحذير:** عند وضع الجهاز، تأكد من أن سلك التيار الكهربائي غير عالقٍ أو تالف.

**⚠ تحذير:** لا تضع مأخذ كهرباء محمولاً متعدد المقابس أو وحدات إمداد بالطاقة محمولة في ظهر الجهاز.

**⚠ تحذير:** لتجنب أي مخاطر محتملة لعدم استقرار الجهاز، يجب تثبيته وفقاً للتعليمات.

**⚠** إذا كان جهازك يستخدم مادة التبريد R600a - (يمكنك معرفة هذا من خلال الملصق الموجود على المبرد) يجب أن تكون أكثر حذرًا أثناء النقل والتركيب لمنع تلف مكونات المبرد. على الرغم من أن الغاز R600a هو غازٌ طبيعي وصديقٌ للبيئة، فإنه قابلٌ للانفجار. وفي حالة وجود تسرب نتيجة حدوث تلف بمكونات المبرد، قم بإبعاد الثلاجة عن مصادر اللهب أو الحرارة المكشوفة وقم بتهوية الغرفة التي يوجد بها الجهاز لبضع دقائق.

- أثناء حمل الثلاجة وتغيير موضعها، لا تلتحق الضرر بدوائر الغاز الخاصة بالمبرد.
- لا تقم بتخزين المواد المتفجرة مثل علب الأيروسول التي تحتوي على مواد قابلة للاشتعال في هذا الجهاز.

# الفهرس

4	1 تعليمات السلامة
4	1.1 تحذيرات السلامة العامة
7	1.2 تحذيرات التركيب
7	1.3 أثناء الاستخدام
8	1.4 معلومات كهربائية (قابس من نوع مخصص للمملكة المتحدة)
8	2 وصف الجهاز
9	3 استخدام الجهاز
9	3.1 ضبط الترموستات
9	3.2 تحذيرات إعدادات درجة الحرارة
9	3.3 الملحقات
9	3.3.1 صينية الثلج (في بعض الطرازات)
10	4 تخزين الأطعمة
10	4.1 مقصورة الثلجة
10	4.2 مقصورة الفريزر
13	5 التنظيف والصيانة
13	5.1 إزالة الثلج
14	5.2 استبدال مصباح الإضاءة
14	6 الشحن وضبط الموضع
14	6.1 النقل وتغيير الموضع
15	7 قبل الاتصال بخدمة ما بعد البيع
15	8 نصائح لتوفير الطاقة

نشكرك على اختيارك لهذا المنتج.  
يحتوي دليل المستخدم هذا على معلومات مهمة بشأن السلامة والإرشادات التي تهدف إلى مساعدتك في تشغيل الجهاز وصيانته.  
يُرجى أخذ الوقت الكافي لقراءة دليل المستخدم هذا قبل استخدام الجهاز والاحتفاظ بهذا الدليل للرجوع إليه في المستقبل.

الأيقونة	النوع	المعنى
	تحذير	خطر الإصابة الخطيرة أو الوفاة
	خطر الصعق الكهربائي.	خطر الجهد الكهربائي
	خطر الحريق	تحذير؛ خطر نشوب حريق / مواد قابلة للاشتعال
	تنبيه:	خطر التعرض للإصابة أو تلف الممتلكات
	هام	تشغيل النظام بطريقة صحيحة



CE



52400224

