

CONTENTS

- 1- Pre-installation warnings and safety precautions
- 2- Technical specifications of minibar
- 3- Intended use of minibar
- 4- Instructions for correct installation in a furniture unit
- 5- Fixing the minibar to the furniture unit
- 6- Fixing the handle (without a decorative panel)
- 7- Fixing a decorative panel (supplied by the Hotel) and the handle
- 8- First use and regulation of minibar
- 9- Disposal
- 10- Cleaning the minibar
- 11- Instructions to follow to return the minibar
- 12- Recommendations for improved energy savings
- 13- Troubleshooting
- 14- Warranty

Before placing the minibar into service, read this manual carefully in all its parts!

Dear Customer,

We would like for this product, which is developed in modern production lines and subjected to thorough Quality Control testing, to offer maximum performance.

We kindly ask that you:

- store this manual in such a way that it can be accessed if needed, as it may need to be consulted in the future.
- follow all the safety instructions.
- read any other supplementary documentation attached to this manual.


This product complies with the EU Directives and Regulations listed below:


- Regulation 2014/35/EU ➡ concerning electrical materials intended for use within certain voltage limits (**LVD**).
- Regulation 2014/30/EU ➡ concerning electromagnetic compatibility (**EMC**).
- Regulation 643/2009/EC ➡ Directive 2009/125/EC (**ERP**).
- Regulation 1060/2010/EU ➡ Directive 2010/30/EC (**ECO-LABEL**).


IMPORTANT NOTICE:


THE MANUFACTURER RESERVES THE RIGHT TO MAKE CHANGES TO THE PRODUCT AND MANUAL WITHOUT PRIOR NOTICE.


1- Pre-installation warnings and safety precautions

 After removing the packaging, check that the minibar is intact and without defects.


 The minibar must be positioned on a flat base.


 The minibar must be installed far from heat sources such as ovens, cookers, etc. and away from direct sunlight.


 The cooling unit at the back of the minibar must be ventilated through openings in the furniture unit of about 200 cm² each (see paragraph 5).


 The ventilation openings of the minibar must be free of any obstructions for the correct circulation of air.


230 Volts The supply voltage of the minibar is indicated on the label inside the minibar itself. The warranty shall lapse in the event of problems caused by an incorrect electrical power supply.


 The electrical connections must be checked by an expert electrician. Use a power socket with ground connection. Damage to the product caused by electrical errors are not covered by the warranty.


 If the power cord is damaged, it must be replaced only by a qualified person so as to avoid hazardous situations.


 The polyurethane expanding agent used as an insulating material is Cyclopentane, which is safe for the ozone layer.


 Do not insert oils or foods cooked with vegetable oils in unsealed containers in the minibar, insofar as they may damage the surfaces of your appliance. In case of spillage or oil stains on the surfaces, clean and rinse them with warm water.


 This appliance must not be used by persons with reduced physical and mental abilities, including children, unless under the supervision of an adult responsible for their safety.


 Children must always be supervised to ensure they don't play with the appliance and its packaging.

 The minibar has been designed to keep beverages cold.
It is not suitable for the storage of food or medical devices

 Do not store products containing explosive or flammable substances, or pressurised containers in the minibar.

 Never use petrol, benzene or similar substances to clean the minibar.

 The plug should always be disconnected before cleaning the minibar.

 The appliance must never be exposed to rain.

2- Technical specifications of Minibar



Internal Light and Temperature Regulation



MODEL TD40N	
Gross capacity	40 lt.
Net capacity	38 lt.
Refrigerant type / quantity	R600a / 25 g.
Product dim. without packaging H. x L. x D. mm	412 x 495 x 455
Type of Compartment	Moderate Temperature Compartment (2)
Energy Efficiency Class	A+
Climate Class / Ambient Temperature	N / 16°C - 32 °C
Storage Temperature (°C)	8-14 °C.
Max. Input Power	65 Watts
Power	220-240V / 50-Hz
Energy Consumption (kWh/year)	115
Net Weight (Kg)	14
Gross Weight (Kg)	15
Thermostat Type	Manual, inside minibar
Sound Emission (dB)	24

3. Intended use of Minibar

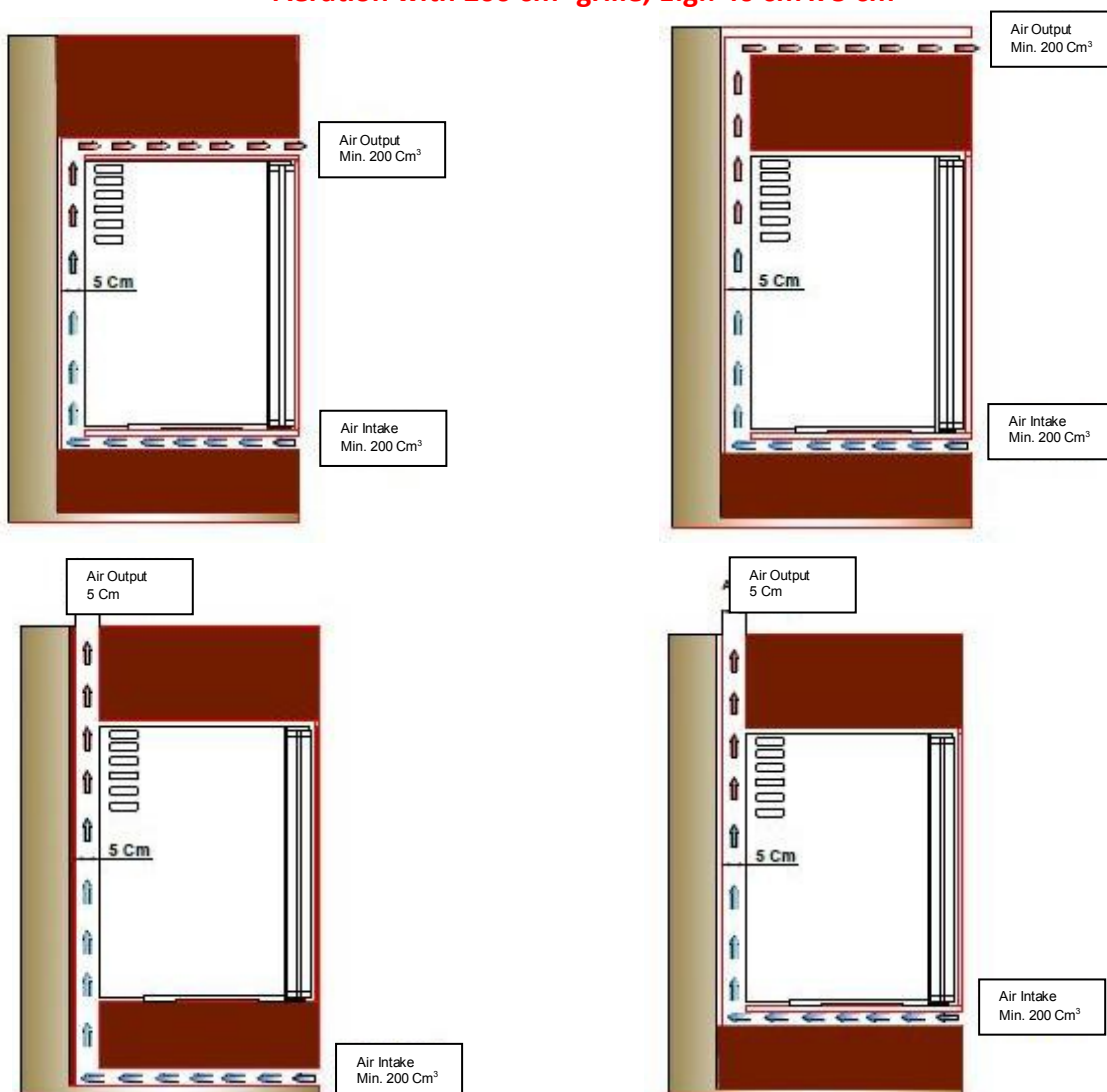
This minibar is intended for use in indoor environments, it is not designed for use in outdoor environments.

4. Instructions for correct installation in a furniture unit

- ✓ Insert the minibar in a compartment having the following minimum dimensions: H 422 x L 505 x D 505 mm
- ✓ Check that the minibar is placed on a horizontal surface and perfectly level. Inclinations greater than 2 degrees are not allowed for the purposes of the warranty.
- ✓ Leave a clearance between the back of the minibar and the wall of at least 5 cm.
- ✓ The top and bottom ventilation openings of the minibar must not be covered.
- ✓ It is necessary and essential to create an opening for the intake and output of air. Both openings must be at least 200 cm² each.
- ✓ The air passing through the duct must not be pre-heated.
- ✓ If aeration grilles are used, they must include openings of at least 200 cm² each.
- ✓ Regardless of how the minibar is installed, to ensure its proper operation and best cooling performance, it is essential to ensure correct air circulation. This effect, as illustrated in the figure, consists in allowing the intake of fresh air from the front bottom part of the appliance and the subsequent expulsion of hot air from the top rear part.
- ✓ **Ensure the correct aeration of the cooling unit by implementing a ventilation duct as illustrated in the images below.**

FOR BUILT-IN INSTALLATIONS, IT IS ESSENTIAL TO CREATE PROPER AIR INTAKES SO AS TO FACILITATE THE EXPULSION OF THE HOT AIR PRODUCED.

Aeration with 200 cm² grille, E.g.: 40 cm x 5 cm



5. Fixing the minibar to the furniture unit

In order to fix the minibar to the furniture unit, the drawer needs to be completely removed.

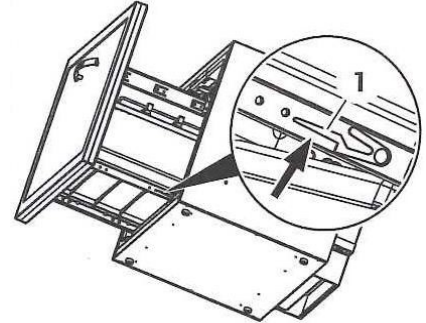
- 1) Open the drawer completely;
- 2) Press the guide release device (1) as follows



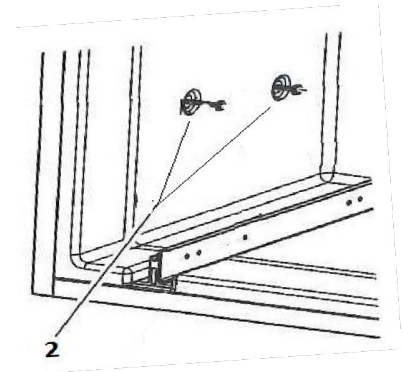
Lower the black lever on the right-hand side of the drawer.



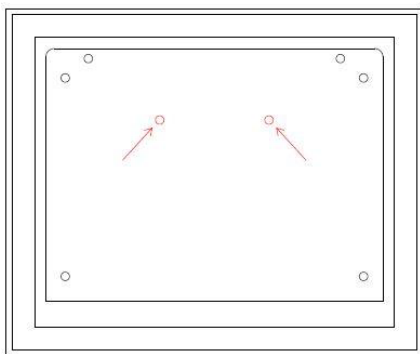
Lift the black lever on the left-hand side of the drawer.



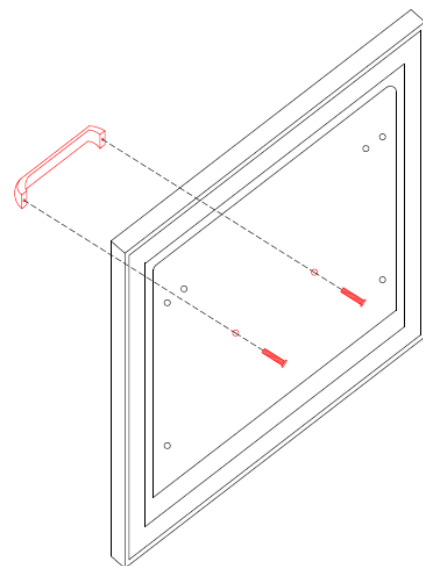
- 3) Pull the drawer out;
- 4) Using the pilot holes inside the minibar (2) anchor the minibar to the furniture unit using suitable screws.
- 5) Insert the drawer again, lowering and lifting the black levers on the sides on the guides.



6. Fixing the handle (without a decorative panel)



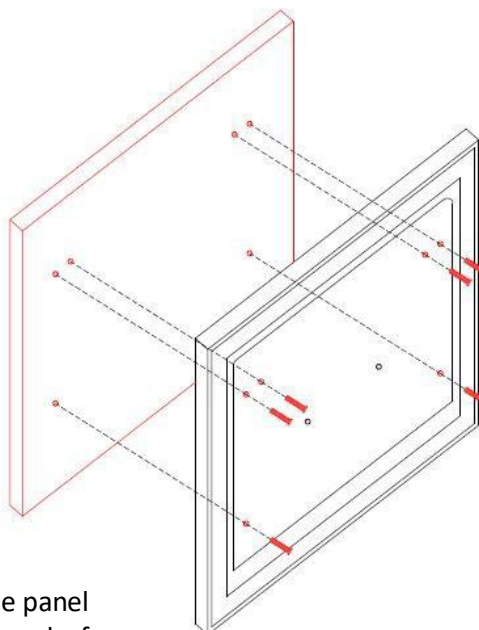
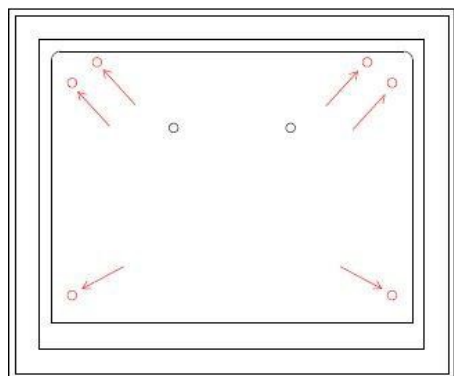
Using the two pilot holes inside the door, drill the door with a 3 mm bit.



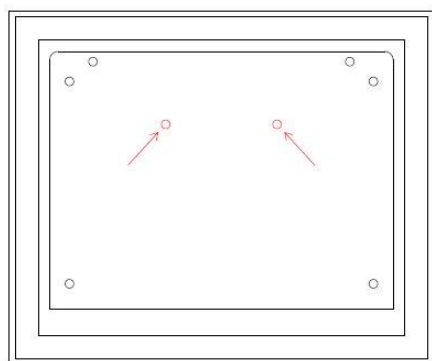
Screw the handle onto the door of the minibar with the two M4 short screws supplied in the bag inside the minibar.

7. Fixing a decorative panel (supplied by the hotel) and the handle

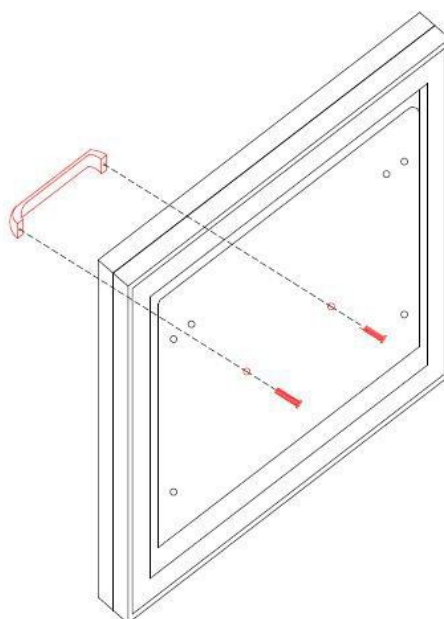
To fix a decorative panel on the door of the minibar, the drawer needs to be completely removed (see paragraph 5 points 1-3).



Using the pilot holes inside the door, fix the panel with the supplied screws suitable for a panel of minimum thickness 10 mm.



Using the two pilot holes inside the door, drill the door with a 3 mm bit.



Screw the handle onto the door of the minibar with the two M4 long screws supplied in the bag inside the minibar.

8. First use and regulation of Minibar

The minibar must be connected to an AC power outlet, with suitable grounding in accordance with legislation in force. Check that the minibar's voltage and frequency of use correspond to those in the country of use. In this case, connect the minibar plug and wait a few hours before placing any beverages inside; otherwise, do not insert the minibar plug.

The minibar is equipped with a manual regulation thermostat, located inside the minibar.



To control the internal temperature turn the knob, allowing the temperature to be controlled within a range of "0" to "3".

For a **lower internal temperature**, turn the **knob clockwise toward "3"**;

For a **higher temperature**, turn the **knob counter-clockwise toward "0"**.


The minibar has an **automatic defrost** function. The fridge will start its first defrost cycle 36 hours after it is first turned on and **will take about one hour to defrost**. Afterwards, the fridge will defrost every 36 hours of operation, for a duration of about one hour. The water generated by the defrost cycle is collected in the collection tank located at the back of the minibar, and eventually evaporates naturally.

9. Disposal

The packaging materials may be hazardous to children, therefore keep them out of their reach. Do not dispose of packaging materials as household waste, but in accordance with their classification. The minibar packaging is produced using recyclable materials.

Dispose of your old minibar without harming the environment. To do so use an authorised special waste collection centre or else return it to the retailer when purchasing a new equivalent appliance, based on the 'buy one return one' principle. Before disposing of the fridge, cut the electrical power cord and make any closures on the door unusable so as to protect children against all hazards.

This appliance bears the differentiated waste recycling symbol in compliance with European Waste Electrical and Electronic Equipment Directive (WEEE) 2012/19/EU. Ensure that this product is disposed of correctly to avoid potentially negative effects on the environment and human health.

The symbol  on products or documents supplied with all products indicates that the minibar cannot be treated as household waste. It must be sent to a collection point for the disposal of electrical and electronic equipment. Dispose of in accordance with local special waste disposal regulations. For detailed information regarding the treatment, recovery and recycling of this product, contact your local municipality, urban waste collection service or the retailer where you purchased the product.



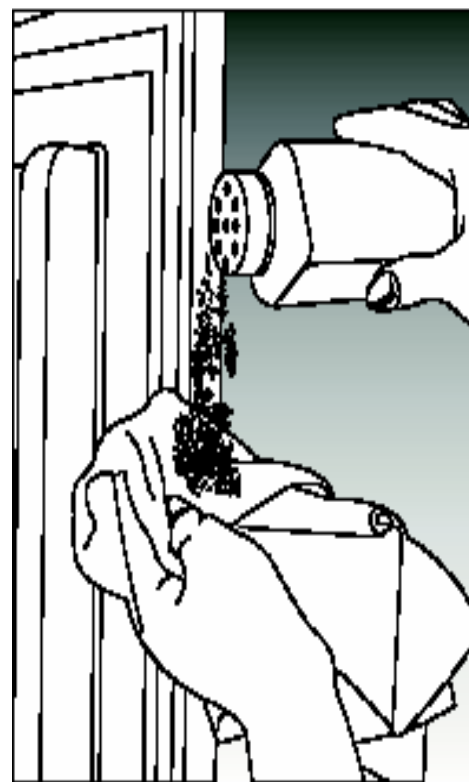
10. Cleaning the Minibar

Before cleaning the minibar, turn it off and disconnect the power.

Clean the inside and outside of the minibar with warm water before use, then dry it carefully.

Never use soap, granular products, soda or other products different to water for cleaning.

For the minibar door gasket, follow the cleaning procedures described above, making sure not to use lubricating oils and not to expose the minibar to humidity.



11. Instructions to follow to return the minibar

- 1) It is best to use the original packaging, otherwise pack it securely and carefully using cardboard or bubble wrap.
- 2) Before packaging the appliance, take out all beverages and any other products.
- 3) In the case of multiple minibars, use wooden pallets wrapped in cellophane.

12. Recommendations for improved energy savings

- Install the appliance in a dry, well-ventilated environment, but not directly exposed to sunlight or in the proximity of a heat source (for example radiators, the kitchen, etc.).
- Open and close the door in as short a time as possible.
- Every now and then, remove any dust from the back of the minibar using a vacuum cleaner or brush, to avoid higher power consumption.

13. Troubleshooting

If the products presents a malfunction, make the following checks before contacting customer service:

PROBLEM	POSSIBLE CAUSES AND SOLUTIONS
The minibar doesn't turn on	<p>Check that the outlet has power.</p> <p>Check that the plug is inserted properly.</p> <p>The circuit may be burnt out.</p>
The minibar doesn't cool enough	<p>The room temperature might be too high. The door has been opened too often and for too long. The door isn't closed properly.</p> <p>The temperature regulator hasn't been properly positioned.</p> <p>The door gaskets aren't sealing properly. Check that the air intakes are of the correct size and that they're not covered.</p>
The internal lighting doesn't work	<p>Check that the outlet has power.</p> <p>Check that the plug is inserted properly. The circuit may be burnt out.</p> <p>The globe may have burnt out.</p>
The door doesn't close properly	<p>The minibar isn't resting on a horizontal surface.</p> <p>The door handing has been changed incorrectly.</p> <p>The gaskets are dirty.</p> <p>The shelves or beverages aren't positioned properly.</p>

After making all these checks, if the problem persists, contact the retailer.

14. Warranty

The product is supplied with a warranty that covers manufacturing faults and defects for a period of 24 months from the date of purchase, validated by a tax invoice.

- It lapses if the installation instructions are not followed;
- It lapses if the product is misused, changes are made to the appliance or non-original spare parts are used;
- It shall not respond to any changes made to the appliance;
- It shall not respond to any damages to persons or property caused by misuse and/or incorrect installation.

IMPORTANT: THE COMPANY RESERVES THE RIGHT TO MODIFY THE CHARACTERISTICS OF THE PRODUCT WITHOUT ANY PRIOR NOTICE.