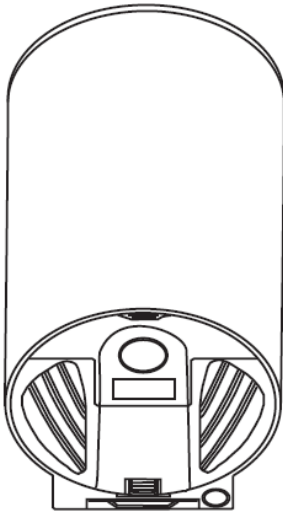


AQUAZONE

QUALITY PLUMBING SOLUTIONS

General Installation Guide



ECO
Hand-dryer

A member of  SANIPEXGROUP

Please leave these instructions with the customer

IMPORTANT PLEASE READ

Remove all packaging and check the product for missing parts or damage before starting installation.

The Installation must comply with all Local/National Water Supply Authority Regulations/Byelaws and Building and Plumbing Regulations.

We strongly recommend that your product be installed by a reputable qualified trade's person.

General Installation:

To the Installer, please read and follow this instruction carefully, as the guarantee is only valid if the product is installed as directed.

Don't rush, read the instructions first and run through them before you begin. Keep fittings together to avoid loss. Do not over tighten screws or bolts.

If the product is covered with polyethylene protective film, do not remove until installation is complete to grant maximum protection. However, remove film where any two surfaces will be in permanent contact.

Please leave this installation manual with the end user once the product has been installed.

Product Aftercare:

We recommend cleaning with a soft damp cloth and mild soap solution.

Do not use cream cleaners or cleaners containing bleach.

Do not scrub or scour.

Do not use abrasive cleaning agents.

Do not use solvent based cleaners.

Environmental Protection:





This Marking indicates that this product should not be disposed with other household waste. To prevent possible harm to the environment or human health from uncontrolled waste disposal, recycle it responsibly to promote sustainable re-use of material resources. Please recycle where facilities exist. Check with your local authority for recycling advise


IMPORTANT SAFETY INSTRUCTIONS

INSTRUCTIONS PERTAINING TO A RISK OF FIRE, ELECTRIC SHOCK OR INJURY TO PERSONS

READ AND FOLLOW ALL INSTRUCTIONS!

 **WARNING: Risk of personal injury.** Do not permit children to use the unit without adult supervision.

 **WARNING: Risk of electric shock.** Do not allow the unit to get wet, do not use in a wet environment, please see Zonal instruction on the next page...

 **WARNING: Risk of personal injury.** Do not modify and disassemble the unit unnecessarily.

This Product is intended for Indoor use only. Installing this unit outdoors will void your warranty.

- Rated Power is required.
- The Hand-dryer must have a reliable ground/earth connection.
- If power tolerance is over +/- 10%, there will be a breakdown, if using incorrect power supply, fire, electric shock and machine malfunction will occur.
- Please use a dedicated power supply socket, if using with other appliances the socket may endure abnormal heat leading to a possible fire.
- Power must be switched off when carrying out essential maintenance.

For additional protection, the installation of a residual current device (RCD) having a rated residual operating current not exceeding 30mA is advisable in the electrical circuit this is to be provided by the installer and should be tested on a routine basis.

Specification:

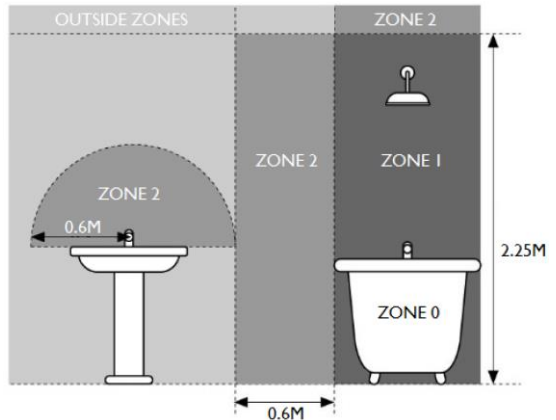
Voltage	AC 220-240V	Motor	Brush Motor
Phase	Single Phase	Sensing Distance	150 - 200 mm
Input	1150-1350W	Protection Class	IPX1
Wind Speed	68 m/s	Appearance Size	280 X 153 X 162mm
Heating Power	650-750W	Net Weight	3.4 kg

Electrical Connections

All electrical connections and alterations should be carried out by a qualified electrician and be in accordance with Part P regulations.

All **AQUAECO** hand-dryers are IP rated to different standards and are suitable for installation in various zones. The diagram below illustrates this zonal concept and must be followed to ensure safe installation of electrical bathroom products.

The diagrams and information below are a guide to Bathroom Zones as referred to in IP ratings it is important to install an electrical product in the correct bathroom zone i.e. the zone referred to in the IP rating of the product. This is not an installation guide, and reference should be made to the latest edition of the IEE wirings Regulations or a qualified electrician.



Zone 0 is inside the bath or shower tray itself. Any appliance used in this zone must be rated at least IP67 which is total immersion proof.

Zone 1 is the area above the bath or shower tray to a height of 2.25m from the floor. In this zone a minimum rating of IP44 is required and products must also be protected by a 30mA residual current device (RCD) to protect the circuit. The electrical connection to the power supply for these products must be in Zones 2/3 of the bathroom in compliance with BS7671:2001 - IEE Wiring Regulations.

Zone 2 is an area stretching 0.6m outside the perimeter of the bath and to a height of 2.25m from the floor. In this zone an IP rating of at least IP44 is required. In addition, it is good practice to consider the area around a washbasin, within a 60cm radius of any tap to be considered as zone 2.

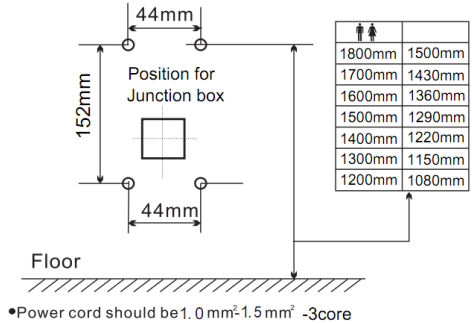
Outside Zones are areas not advised in the above, IP ratings starting IPX can be installed

Pre-Installation:

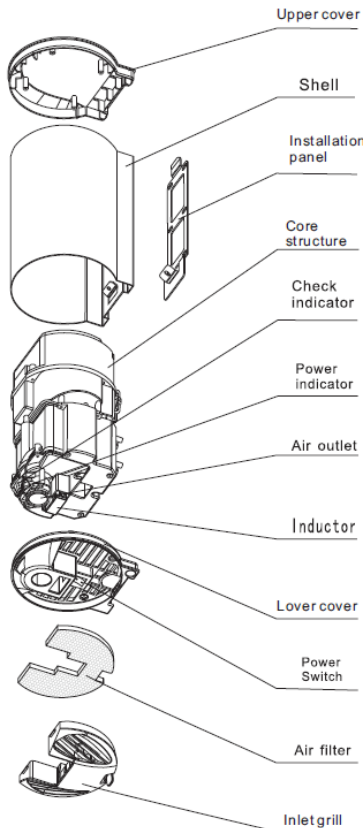
The below shows the recommended location (if there is a floor/obstacles below the hand-dryer, the distance between the machine and floor/obstacles should be at least 400mm).

Keep the right side of the dryer away from the mirror/wall, as the water droplets may splash and ingress into the machine when drying hands.

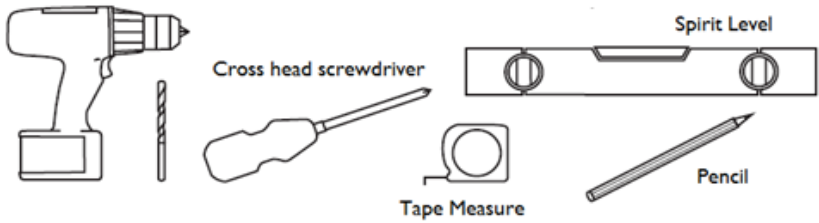
Machine must be installed on a flat surface ideally away from heavy traffic and doorways.



Part Listing:

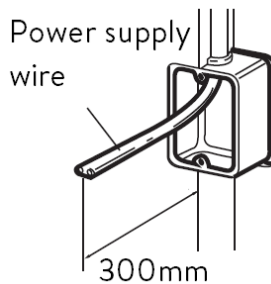


Installation:

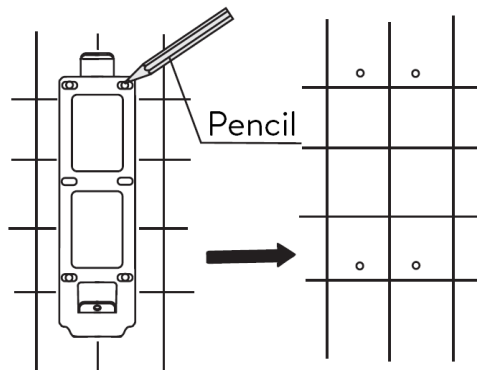


Drill and drill bits

Required when securing the hand-dryer to a wall. Use an appropriate size bit to match the wall fixing chosen (wall screws and fixings may not be supplied).

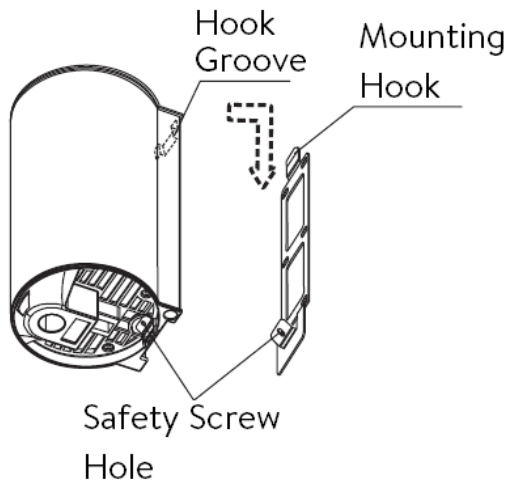


Allow at least 300mm of power cord to extend from the junction box.

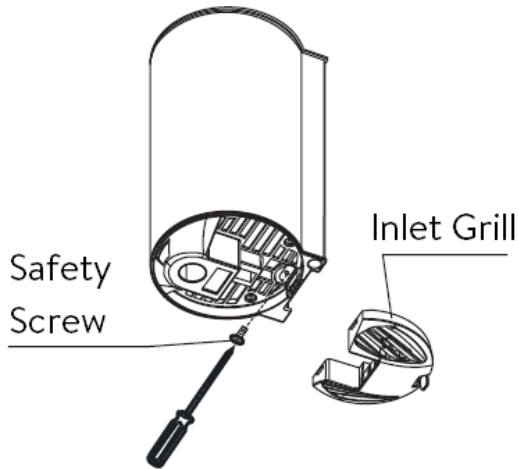


As per the fixing locations advised previously. Align and level the installation panel at the height chosen and mark the fixing positions, remove the installation panel, drill and plug.

Re-position the installation panel and pull the power supply wire through the cord hole, tighten the installation panel to the wall using screws. Connect the L, N and Earth wire.



Hook the hand-dryer onto mounting hook and align the safety screw hole.



With the unit mounted and aligned install the safety screw. Click in the inlet grill

The RCD switch to the hand-dryer can now be turned on. Leave for 2 minutes for sensors to adjust to its surroundings. To test place hands underneath, the blower will start to activate.

AQUAZONE

QUALITY PLUMBING SOLUTIONS

Oakwell Way, Birstall
Leeds, England WF9 17LU

A member of  SANIPEXGROUP