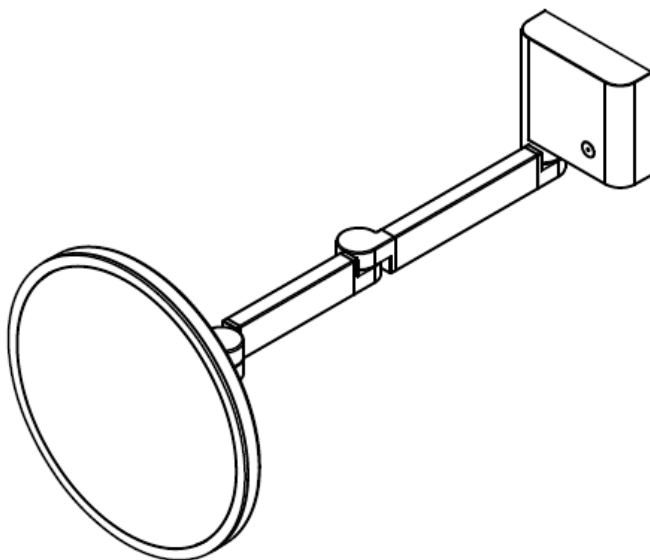


BAGNODESIGN

EXPERTLY CRAFTED BATHROOMS

Installation Guide



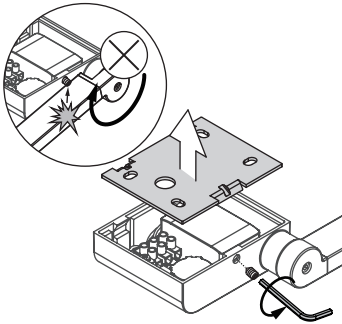
BDA-GLW-312-XX

GLOW WALL MOUNTED DOUBLE ARM X5 MAGNIFYING
MIRROR WITH PROGRESSIVE SWITCH

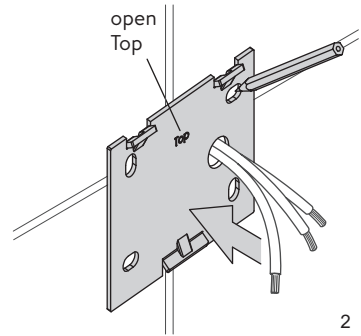
A member of **SANIPEXGROUP**
www.sanipexgroup.com

Electrical installations may be assembled, modified and maintained only by an expert or by trained staff in accordance with electronics standards. Local safety measures must be observed

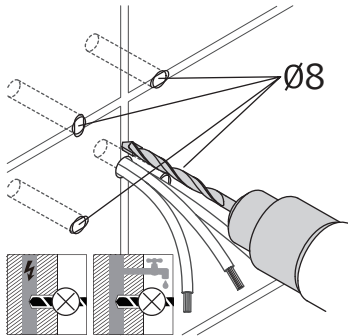
1



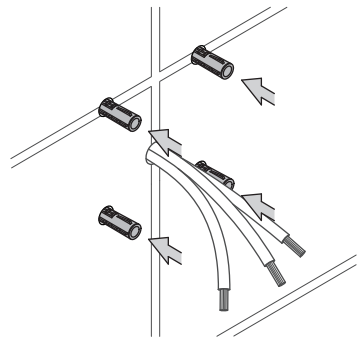
2



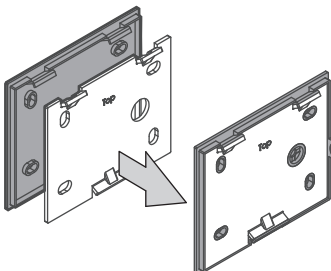
3



4

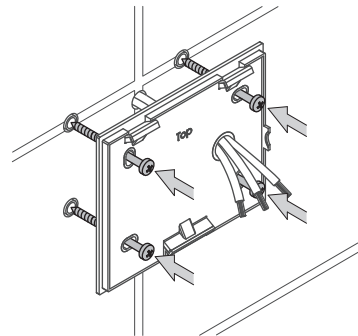


5

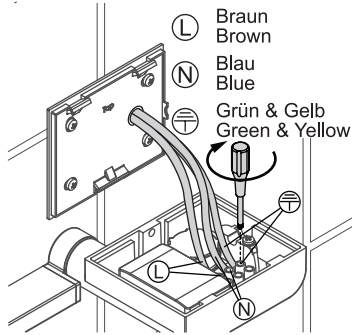


IP 44 waterproof pad

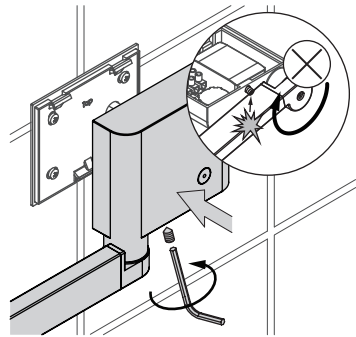
6



7



8



To switch on/off the device

The mirror light can be turned on and off by touching the switch on the wall base.

The mirror has a timer and will automatically turn off after 30 minutes.

Models with single colour temperature

-To dim the light

Switch on the device first, then keep touching the switch on/off button to dim the light, once the desired brightness is reached, release the button, the brightness is set and stored in the memory.

Models with variable colour temperature feature

To set the colour temperature

Switch on the device first, then keep touching the switch on/off button, the LED colour temperature changes. Once the desired colour temperature is reached, release the button and the colour temperature is set and stored in the memory.

This product contains a light source of energy efficiency class E.

