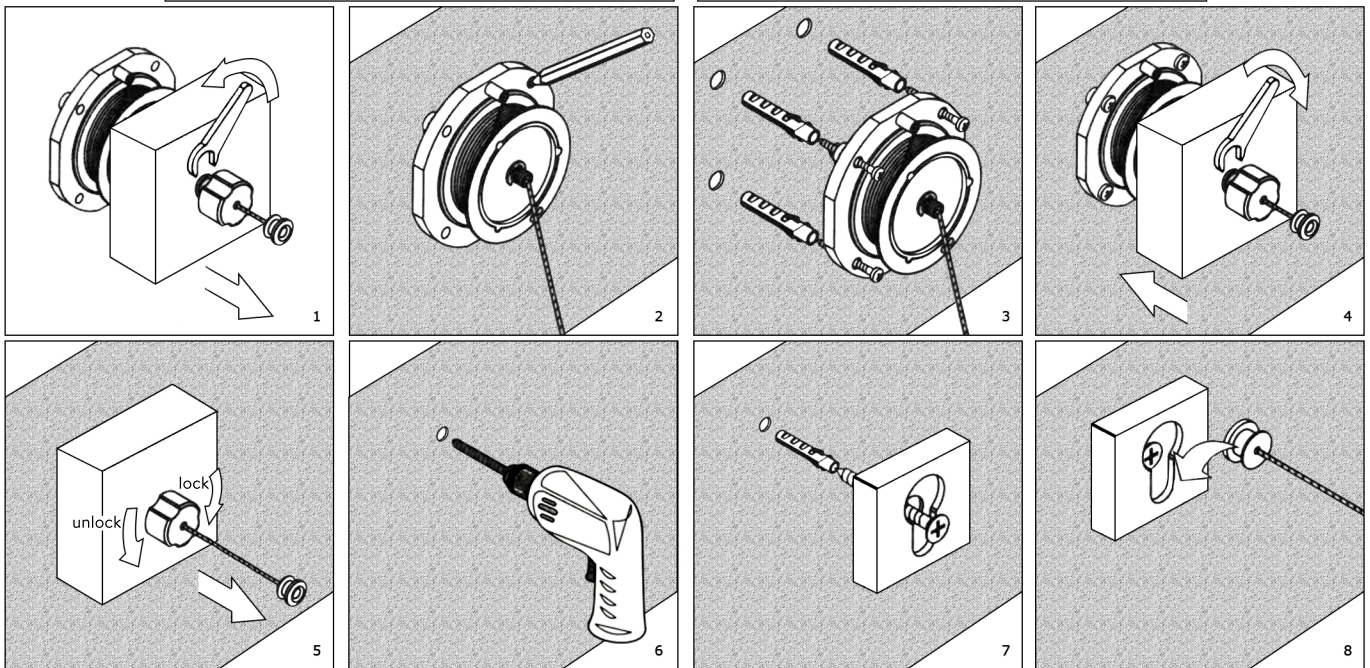
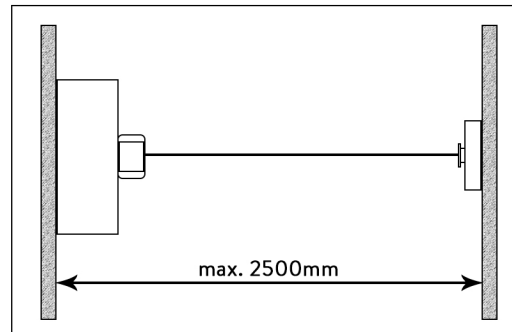
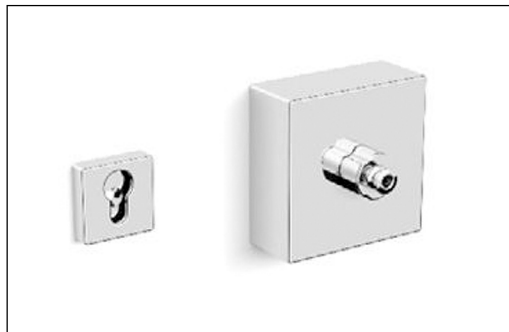


Clothes Line



HOTEL

bathroom accessories

Product Aftercare:

These bathroom accessories have been designed and manufactured with great care and attention to detail. If you follow a few simple cleaning instructions, you will be able to enjoy their quality and beauty every day.

We recommend cleaning with a soft damp cloth and mild soap solution.

Do not use cream cleaners or cleaners containing bleach.

Do not scrub or scour.

Do not use abrasive cleaning agents.

Do not use solvent based cleaners.

We recommend the product is dried using a soft cloth after every use.