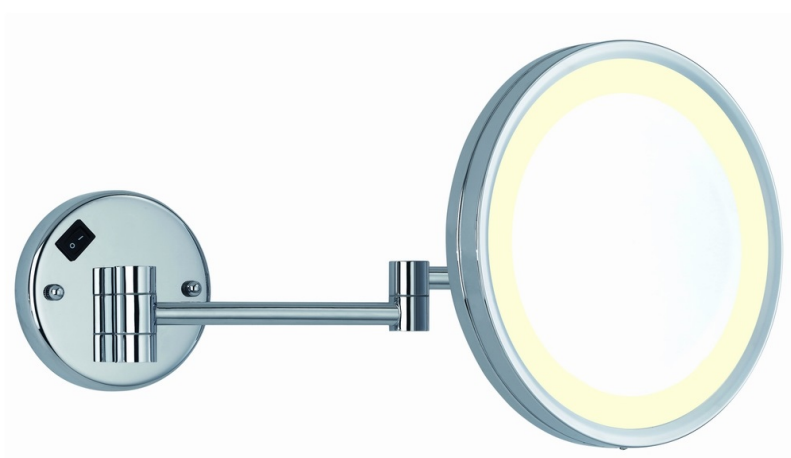


BAGNODESIGN

EXPERTLY CRAFTED BATHROOMS

General Installation Guide



BDA-HOT-312C-B-CP

HOTEL W/MTD MIRROR MAG 3X (DUAL LIGHT) CP

A member of  SANIPEXGROUP

IMPORTANT PLEASE READ

Remove all packaging and check the product for missing parts or damage before starting installation.

We strongly recommend that your product be installed by a reputable qualified trade's person.

General Installation:

To the Installer, please read and follow this instruction carefully, as the guarantee is only valid if the product is installed as directed.

Don't rush, read the instructions first and run through them before you begin. Keep fittings together to avoid loss. Do not over tighten screws or bolts.

If the product is covered with polyethylene protective film, do not remove until installation is complete to grant maximum protection. However, remove film where any two surfaces will be in permanent contact.

Please leave this installation manual with the end user once the product has been installed.

Product Aftercare:

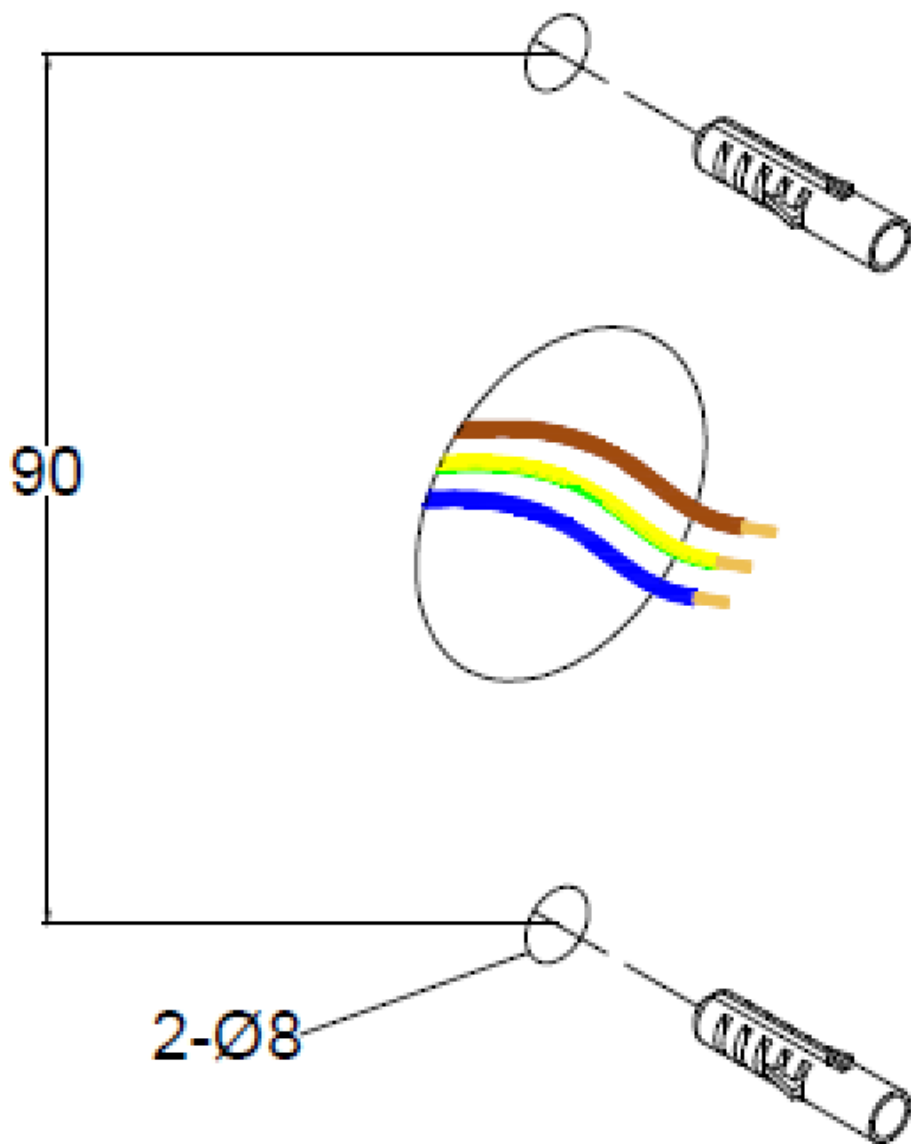
We recommend cleaning with a soft damp cloth and mild soap solution. Do not use cream cleaners or cleaners containing bleach.

Do not scrub or scour.

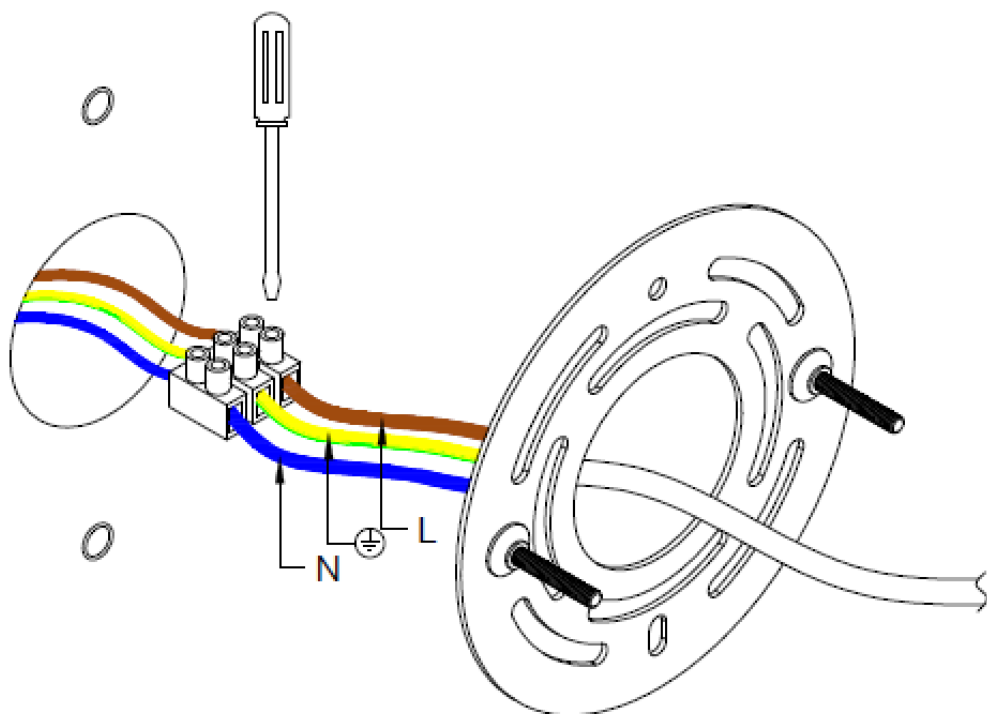
Do not use abrasive cleaning agents.

Do not use solvent based cleaners.

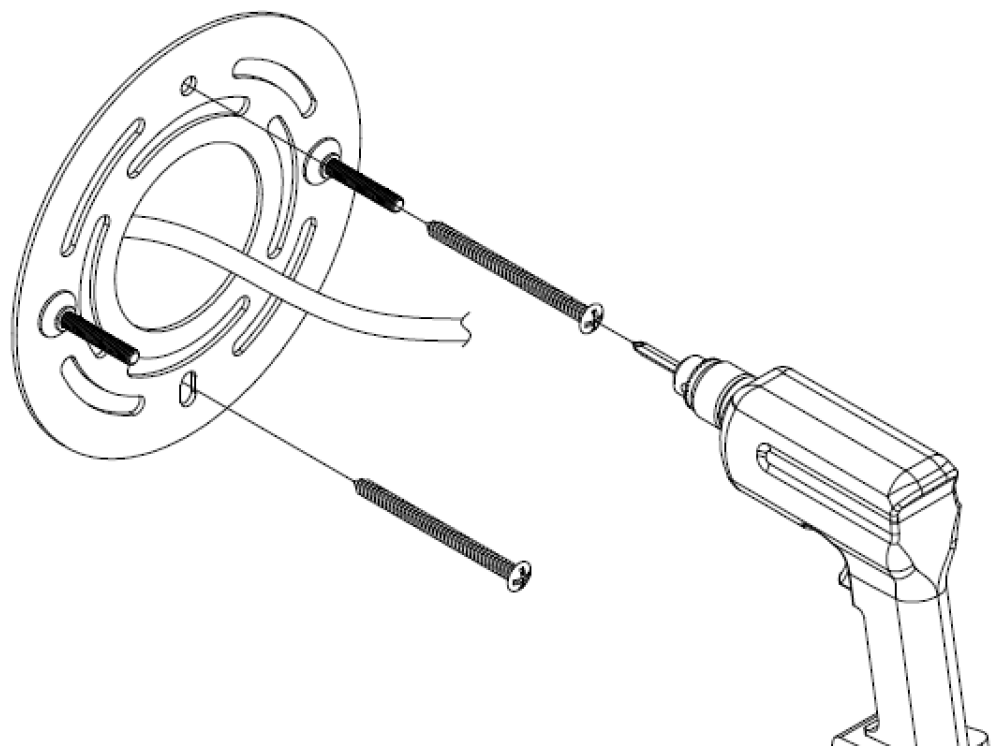
1. First make two holes in the wall, then put the screw anchor into the wall.



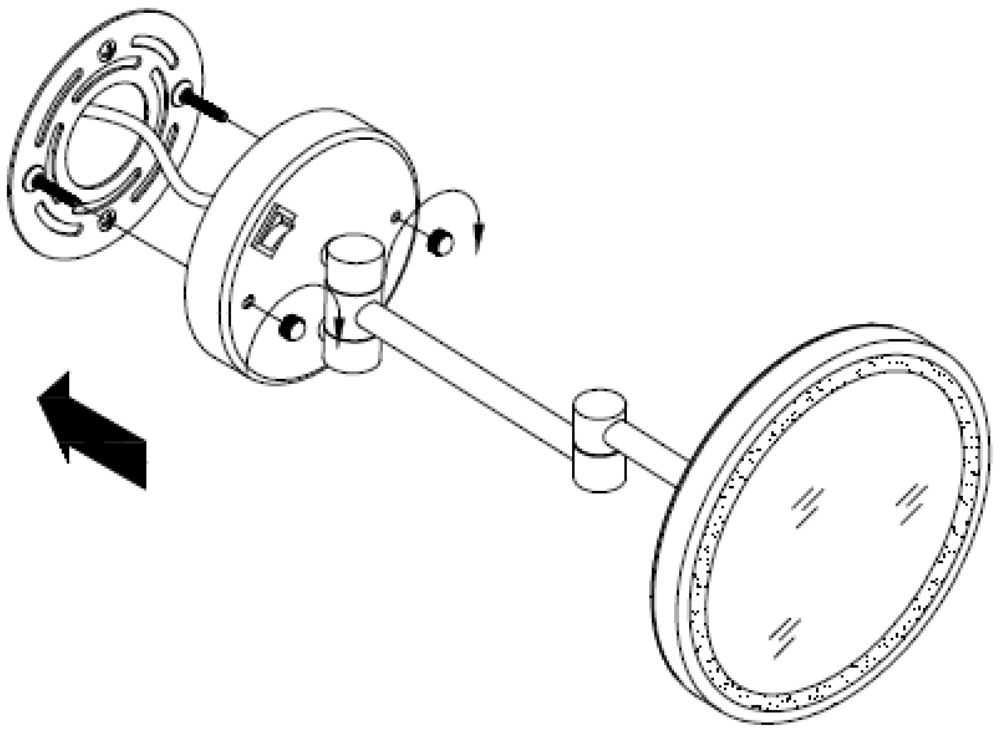
2. Screw the chassis to the wall.



3. Connect the power wire to the terminal.



4. Buckle the mirror and tighten the nut.



INSTALLATION COMPLETE!!!

BAGNODESIGN

EXPERTLY CRAFTED BATHROOMS

Oakwell Way, Birstall
Leeds, England WF9 17LU

A member of  SANIPEXGROUP