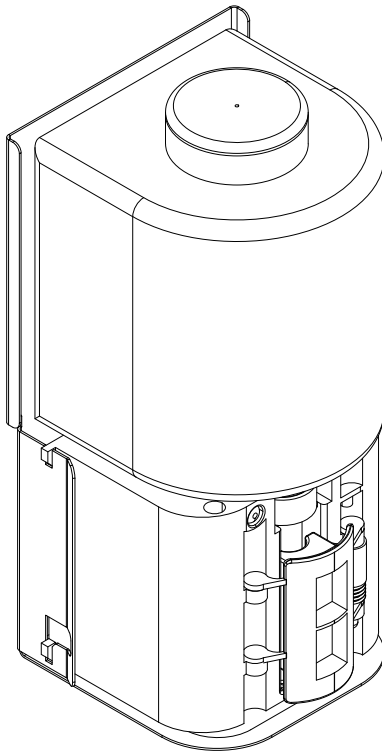


AQUAECO

WASHROOM AND PLUMBING SOLUTIONS

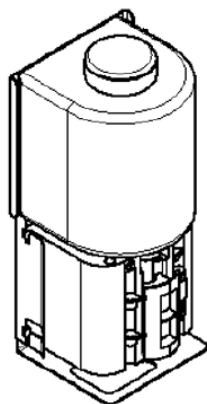
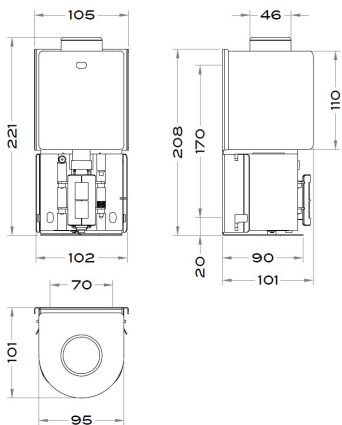
Installation Guide



AQA-IX3-501-SS

IX304 BEHIND MIRROR TOUCHLESS SOAP/SANITIZER DISPENSER

A member of SANIPEXGROUP
www.sanipexgroup.com



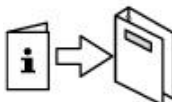
3X



3X



3X



Installation and operating instructions

- Identify the required mounting height by coordinating with site engineer to ensure ample clearance for the other construction features that might obstruct, e.g. pipes, vents, conduits. Consider recommended mounting height from the wash basin or tabletop as shown in image 2.
- Takeout the product from packaging and do initial inspection prior to the installation.
- Secure the product base on the wall/panel using mounting screws and dowels .
- After finishing, if the unit is loose, make sure the screws are all the way in and the screw heads are the only visible parts.
- Place the mechanism and soap bottle to the mounting base and make sure its seated

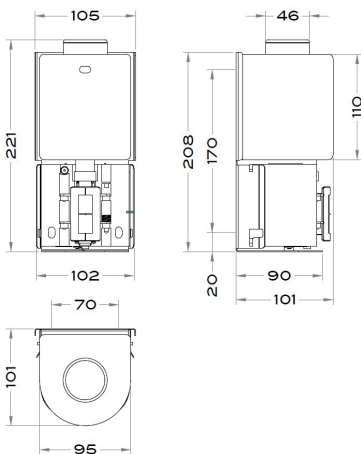
IMPORTANT

The sensor is auto-detecting the distance of the surface below it and auto-adjusts the sensor range as follows

- Mounting distance $\geq 300\text{mm}$ sensor range is 5-9cm, i.e. soap is activated when hand is at least 5cm below the sensor
- Mounting distance $\leq 300\text{mm}$ the sensor range is 3-6cm, i.e. soap is activated when hand is at least 3cm below the sensor

Further decreasing the gap between the surface and the sensor could cause sensor malfunction.

Installation Images



Note: Recommended height $\geq 300\text{mm}$ from above wash basin / tabletop

Soap dispenser should be fixed behind mirror as below:

