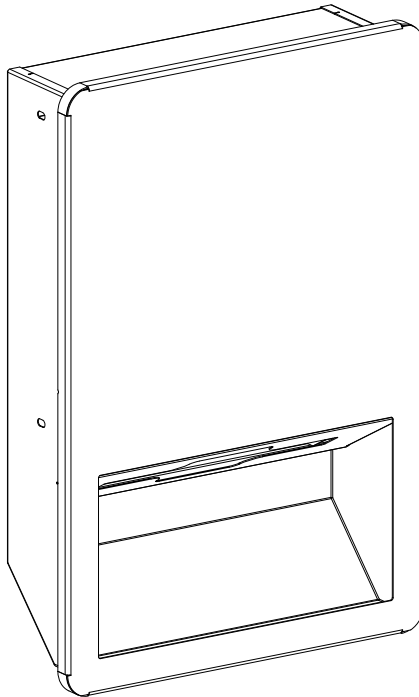


# AQUAECO

WASHROOM AND PLUMBING SOLUTIONS

---

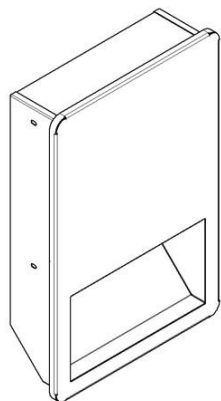
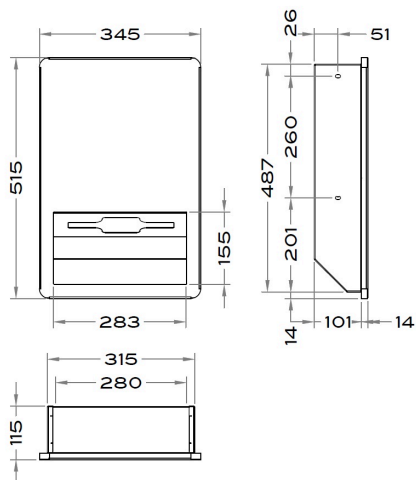
## Installation Guide



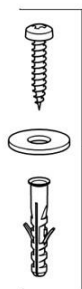
**AQA-IX3-611- XX**

IX304 RECESSED PAPER TOWEL DISPENSER

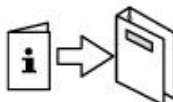
A member of **SANIPEXGROUP**  
[www.sanipexgroup.com](http://www.sanipexgroup.com)



1x



4x



## Installation and operating instructions

- Identify the required mounting height by coordinating with site engineer to ensure ample clearance for the other construction features that might obstruct, e.g. pipes, vents, conduits.
- Takeout the product from packaging and do initial inspection prior to the installation.
- Prepare the wall cutout based one the dimensions of the recessed area (Refer Image 1).
- Secure the product in the wall using mounting screws and dowels.
- Ensure that the paper towels are stacked properly. It is recommended to use the side guides to alleviate the pressure on the bottom and aid in smooth dispensing.

## Recommended Consumable Specifications

- Multifold paper towel with the size of 230mm to 250mm length and 80mm to 105mm width.

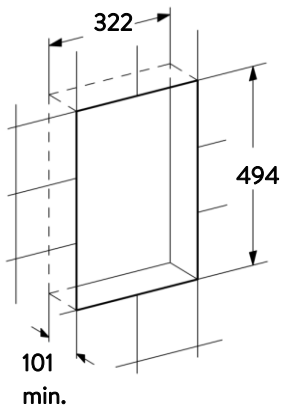


Image 1

