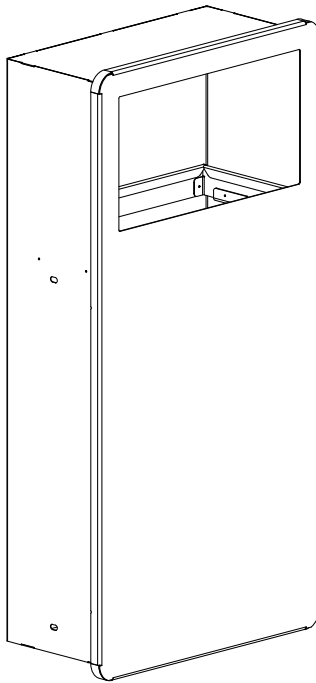


AQUAECO

WASHROOM AND PLUMBING SOLUTIONS

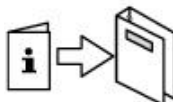
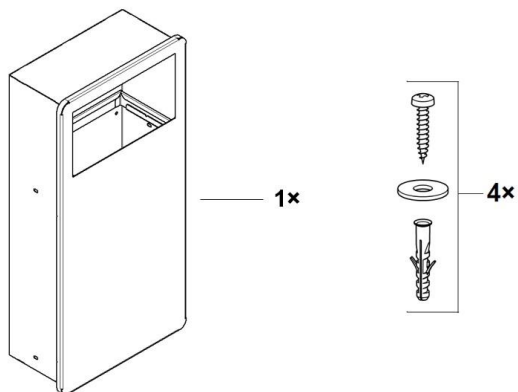
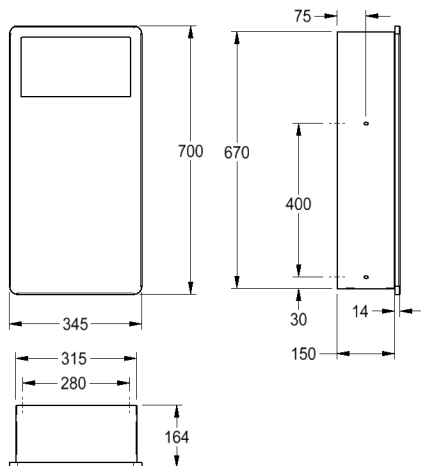
Installation Guide



AQA-IX3-633-XX

IX304 RECESSED WASTE BIN

A member of SANIPEXGROUP
www.sanipexgroup.com



Installation and operating instructions

- Identify the required mounting height by coordinating with site engineer to ensure ample clearance for the other construction features that might obstruct, e.g. pipes, vents, conduits.
- Takeout the product from packaging and do initial inspection prior to the installation.
- Prepare the wall cutout based one the dimensions of the recessed area (Refer Image 1).
- Secure the product in the wall using mounting screws and dowels.
- The bin has 25L volume waste capacity, it is recommended to use a plastic waste bag and secure it to the integrated bag holder.
- The front panel is secured with a magnetic catcher.

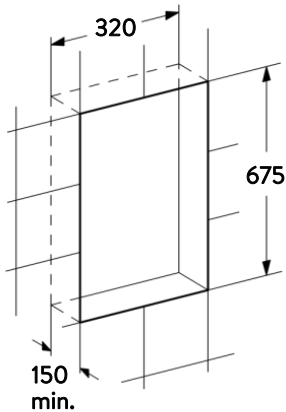


Image 1

