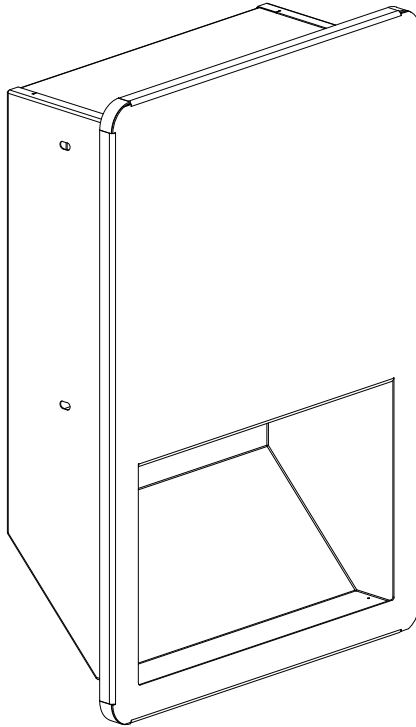


# AQUAECO

WASHROOM AND PLUMBING SOLUTIONS

---

## Installation Guide



**AQA-IX3-638-XX**

IX304 RECESSED TOUCHLESS HAND DRYER

A member of SANIPEXGROUP  
[www.sanipexgroup.com](http://www.sanipexgroup.com)

## IMPORTANT PLEASE READ

All products manufactured and supplied by AQUAECO are fit for purpose as long as they are installed, used correctly, cleaned and receive regular maintenance in accordance with these instructions...

Remove all packaging and check the product for damage or missing parts before commencing with the installation.

Any alterations made to this product and its components may infringe product certification, infringe water regulations and invalidate the guarantee. The Installation must comply with all local/national water supply authority regulations/bylaws and building and plumbing regulations, therefore we strongly recommend that your product be installed by a reputable qualified trade's person.

## PRODUCT LIFECYCLE

*"The product LiveCyclele is the collective stages that a product goes through from its conception and design through to its ultimate disposal."*

## DISPOSAL GUIDANCE

The best way to ensure your Product has a long life is to follow the Care and Maintenance guides set by the Manufacture after purchase. This document can be found at [www.sanipexgroup.com](http://www.sanipexgroup.com).

The life cycle of the product is not in correlation to the product Guarantee; the standards the products are manufactured or certified to (e.g. CE & WRAS) can exceed past the Guarantee duration. After the life cycle of the product is deemed complete by the end-user please follow the below to dispose of the items correctly...

### Mixers (Taps):

If the mixers are no longer accepted due to mechanical use or aesthetic style, these can be disposed of at a registered Local Authority waste recycling center where the individual components can be sorted.

## CLEANING CARE GUIDE

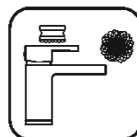
Only use a mild soap and water for cleaning.  
Rinse with water to remove the mild soap solution.  
We recommend the product is dried using a soft cloth after every use.

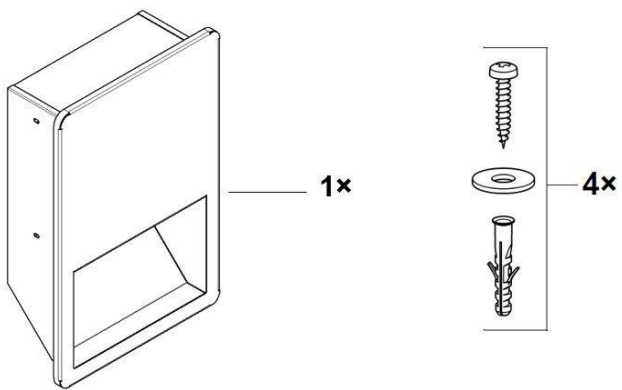
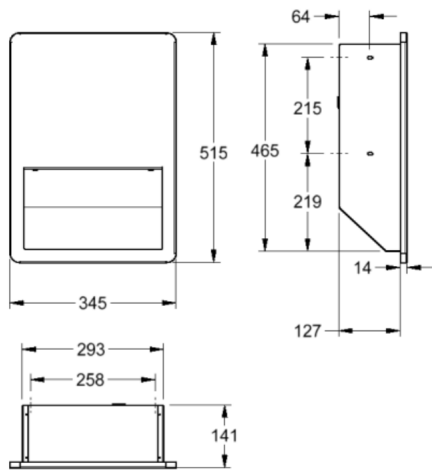
**Never** use any abrasive or strong cleaning products containing, bleaches, acids (hydrochloric, formic, phosphorus, chlorine or acetic), strong detergents, limescale remover, alcohol or dyes etc.

**Never** use abrasive cleaning pads, wire wool or microfibre cloths.

**Never** use cleaning equipment that may have been pre-used and contaminated with the above substances.

**Never** apply the cleaning product directly onto the finished surface.





## Installation and operating instructions

- Identify the required mounting height by coordinating with site engineer to ensure ample clearance for the other construction features that might obstruct, e.g. pipes, vents, conduits.
- Takeout the product from packaging and do initial inspection prior to the installation.
- Locate the AC connection point and prepare the wall cutout based one the recessed area (Refer Image 1).
- Secure the product base in the wall using mounting screws and dowels. For mounting, front panel should be removed from the body prior to the installation.
- Ensure the electrical connections are made correctly and reattach the front panel using the screws provided.

## Hand drier specifications

Operating voltage 220-240V AC, 50-60 Hz

Total power 800-1000W

Heater 500W

Motor 500W

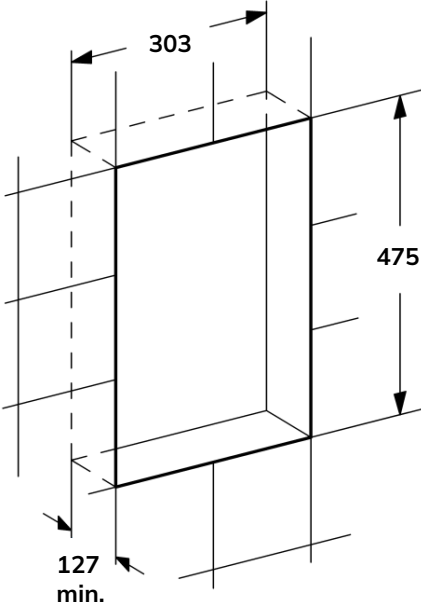
Air volume 80 m<sup>3</sup>/h

Air velocity 95 - 115 m/s

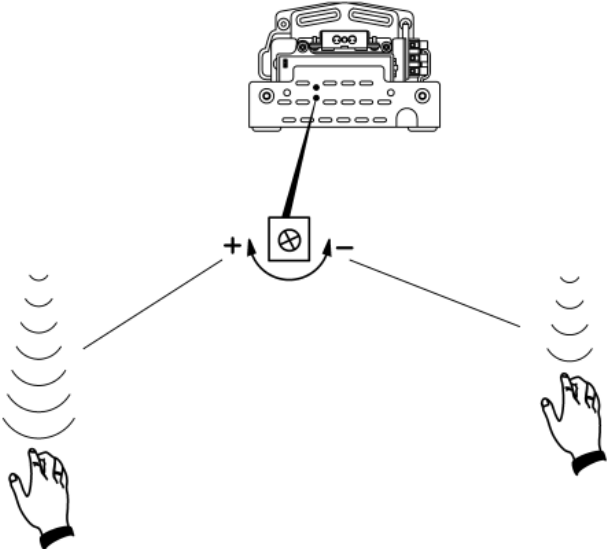
## Warning

- Do not dispose of electrical appliances as unsorted municipal waste, use separate collection facilities.
- Contact your local government for information regarding the collection systems available. If electrical appliances are disposed of in landfills or dumps, hazardous substances can leak into the groundwater and get into the food chain, damaging your health and well-being. When replacing old appliances with new ones, the retailer is legally obligated to take back your old appliance for disposals at least free of charge.
- To prevent the device from overheating or losing flow power, regularly clean it taking into account the level of usage and the amount of contamination in its operating environment.
- Before opening the device, disconnect it from the mains supply
- Failure to observe can mean risk of death or material damage, e.g. from electric shock or fire. If the supply cord is damaged, it must be replaced by a special cord or assembly available from the manufacturer or its service agent.
- CAUTION: In order to avoid a hazard due to inadvertent resetting of the thermal cutout, this appliance must not be supplied through an external switching device, such as a timer, or connected to a circuit that is regularly switched on and off by the utility.

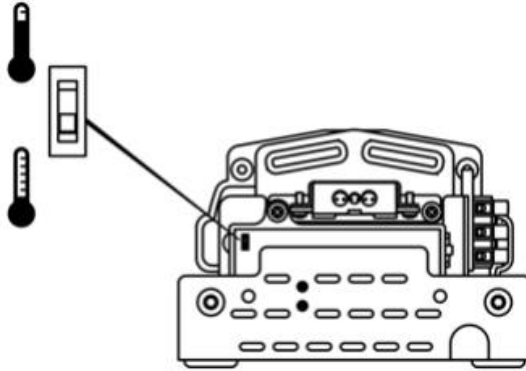
**Installation Images**



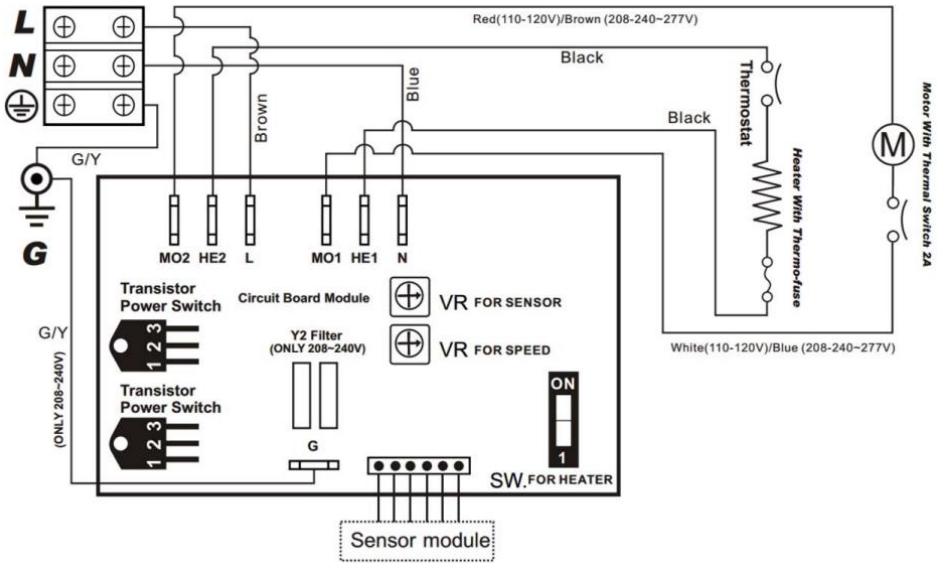
**Set sensor range**



# Set Temperature



# Circuit diagram





# AQUAECO

WASHROOM AND PLUMBING SOLUTIONS

---

---

---

---

---

---

---

---

---

---

---

---

---

---

---

---

---