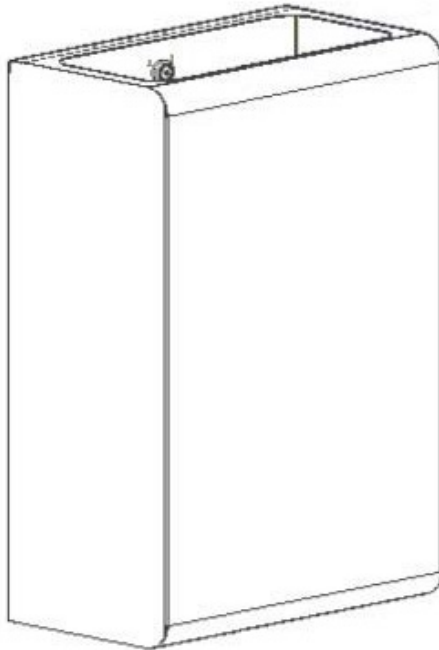


AQUAECO

WASHROOM AND PLUMBING SOLUTIONS

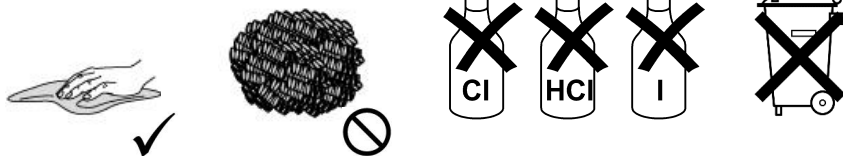
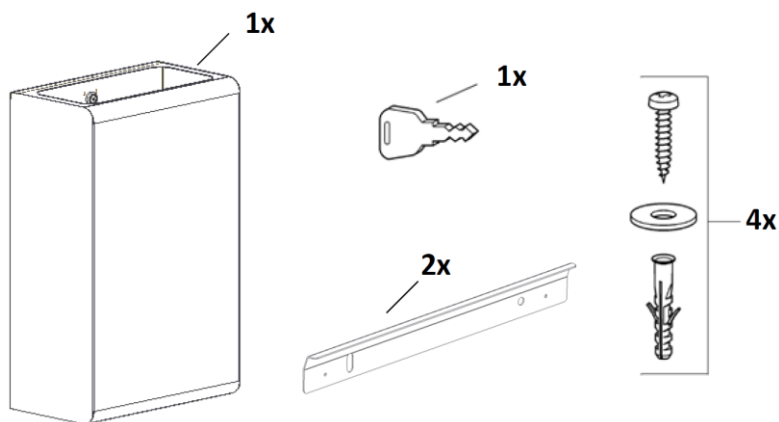
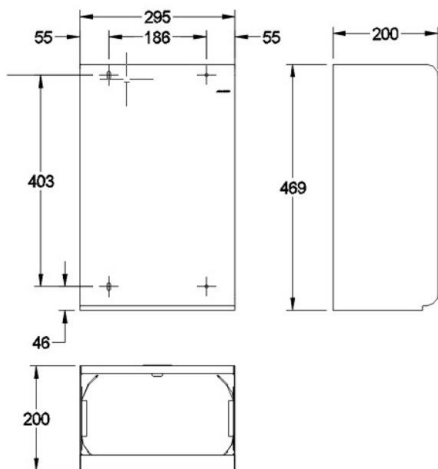
Installation Guide



AQA-IX3-733-XX

IX304 WALL MOUNTED WASTE BIN

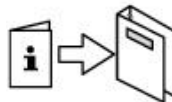
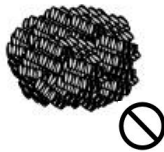
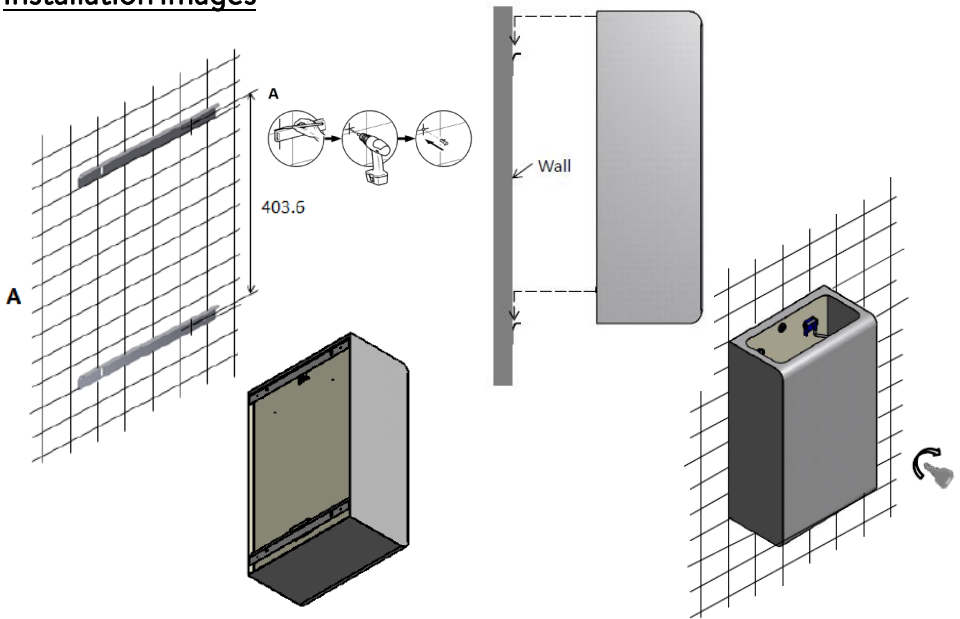
A member of SANIPEXGROUP
www.sanipexgroup.com



Installation Instructions

1. Mount the brackets on to the wall.
2. Mark the position of holes on wall (Make sure the distance between upper holes and lower holes should be 403.6 mm).
3. Drill the holes & insert the screw anchors.
4. Fix the brackets with screws and washers.
5. Hang the Bin.
6. Simply hang the Bin onto the mounted brackets as shown below.
7. Lock it with the key to fix.

Installation Images



AQUAECO

WASHROOM AND PLUMBING SOLUTIONS
