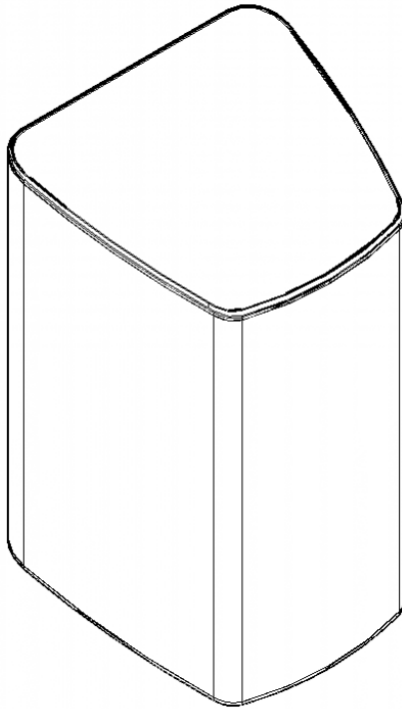


# AQUAECO

WASHROOM AND PLUMBING SOLUTIONS

---

## Installation Guide



**AQA-IX3-739-MB**

IX304 WALL MOUNTED TOUCHLESS HAND DRYER

A member of SANIPEXGROUP



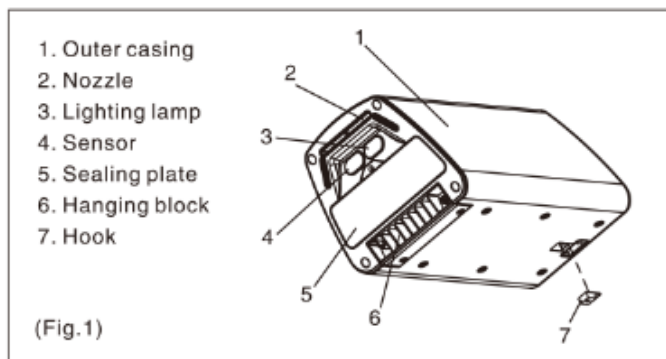
# HAND DRYER USER MANUAL

This intelligent hand dryer adopts digital circuit control and infrared automatic sensing technology. It is specially designed for hotels, homes and public places and feature high efficiency, concentrated blowing, fast drying, firm and beautiful with stainless steel shell.

## Features:

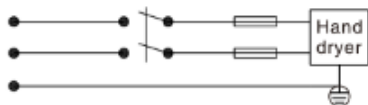
- ※ Energy saving: high-speed special motor, low power, high efficiency, round nozzle, centralized hot air, fast drying, the power of it is less than half the common hand dryers. The hand drying speed is over double that of the common hand dryers.
- ※ Safe: The intelligent hand dryer has multiple protections such as temperature rise, overcurrent and overtime avoid accident.
- ※ Automatic: Adopting microcomputer intelligent control chip, combining with advanced infrared receiving digital processing technology, it boasts precise and reliable control. When the hands are within 10cm range of the air outlet, the hand dryer automatically senses and outputs warm air, and automatically stops when the hands leave the air outlet for 1 second.
- ※ Durable: it adopts stainless steel shell, and the ability to resist external impact and drip-proof is greatly improved.

## Components:

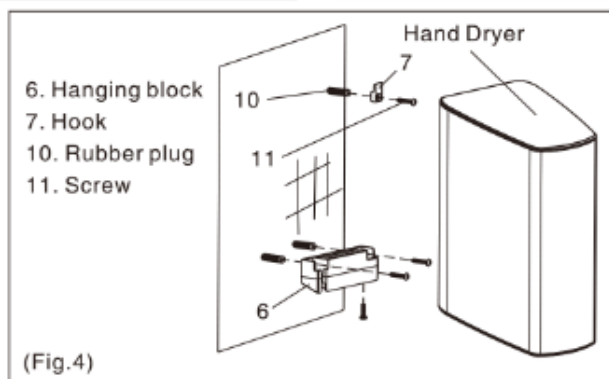
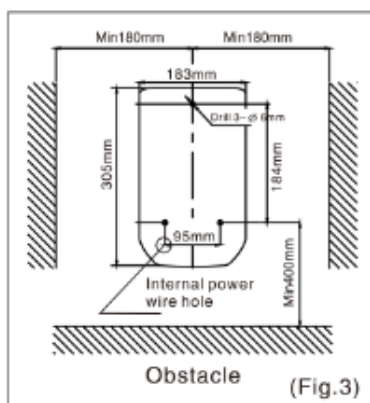
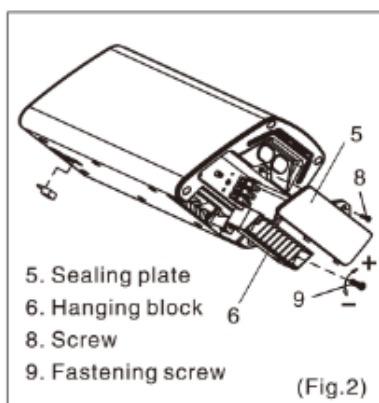


## Installation:

- ※ Before connecting the power supply, a dipolar switch must be installed, and the switch contact opening distance is  $>3\text{mm}$ .
- ※ This machine must have a grounding wire.



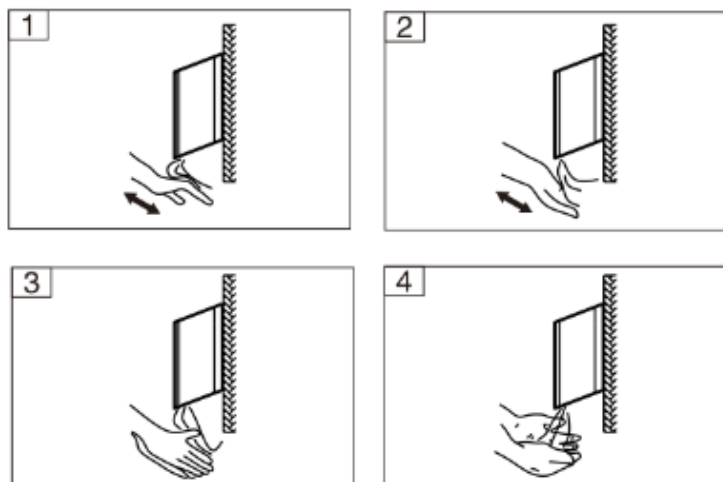
1. According to (Figure 2), remove the fastening screw at the bottom of the product with screwdriver, pull out the hanging block, and drill one 3- $\varnothing$ 6mm, 30mm deep hole at the corresponding position with the size provided by the installation template (Figure 3).
2. Insert the supplied rubber plug into the hole and fix the hook (7) and the hanging block (6) to the wall.(Figure 4)
3. Hang the hand dryer on the hook and the hanging block, and fix the hand dryer with the fastening screw (9) of the original product.
4. If it is installed with concealed wire, first, remove the screw (8) of the sealing plate (5) and then remove the power wire of the original device. Corresponding to the internal power wire hole on the installation template, the concealed wire is inserted into the sealing plate and connected to the L,  $\oplus$ , N of the terminal, and then install the sealing plate.



## Usage

1. After installing and powering on, the hand dryer will automatically be in the standby state.
2. When the hands are within 10~1cm of the air outlet, the hand dryer automatically blows out strong wind. When the hands leave the air outlet for 1 second, it automatically stops working. The hand dryer will automatically stop after continuously working for 1 minute, it will continue working after sensing again.
3. You can dry your hands more easily and quickly by following the method shown below:

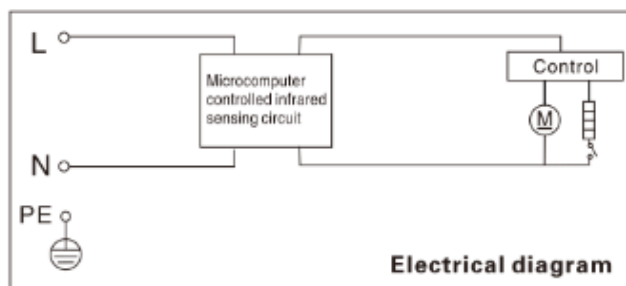
### How to dry your hands easily and quickly



Repeat steps 1-4 until the water droplets are blown dry

### Specification:

Voltage	Power	Frequency	Water splash proof
110V~/120V~	1200W	50Hz/60Hz	IP22
220V~/230V~/240V~			



## Precautions

1. This appliance must be installed away from each bather.
2. Do not install or use this device near the bathtub, washbasin or other utensils filled with water.
3. This hand dryer must be installed in a place that is not accessible when bathing or showering.
4. If the power wire is damaged, it must be replaced with a special wire or special component purchased from the manufacturer or service department.
5. Do not directly spray water on the product.
6. Do not block the air inlet and outlet, please keep it clean.
7. If there is fault during use, please immediately cut off the power supply, stop using it, and contact our company or ask a professional to repair it.

## Package:

Hand dryer × 1;

Installation template × 1;

User manual × 1;

Accessories: 3  $\varnothing$  6 × 30mm rubber plug; 3 ST4.2 × 25 large flat self-tapping screws;  
1 plastic hook.



# AQUAECO

WASHROOM AND PLUMBING SOLUTIONS

---

---

---

---

---

---

---

---

---

---

---

---

---

---

---

---

---

Oakwell Way, Birstall  
Leeds, England WF9 17LU

A member of SANIPEXGROUP