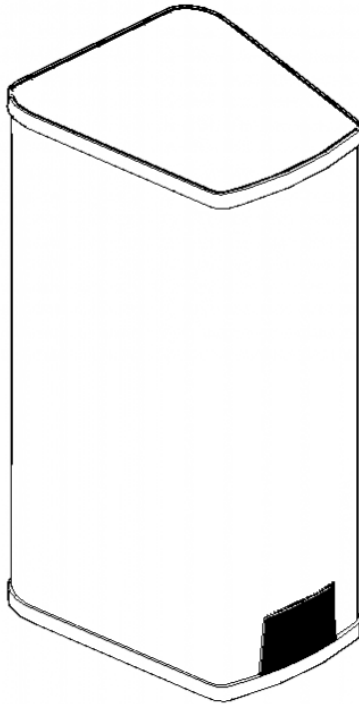


AQUAECO

WASHROOM AND PLUMBING SOLUTIONS

Installation Guide



AQA-IX3-757SP-XX

IX304 WALL MOUNTED TOUCHLESS SOAP/SANITIZER DISPENSER 880ML

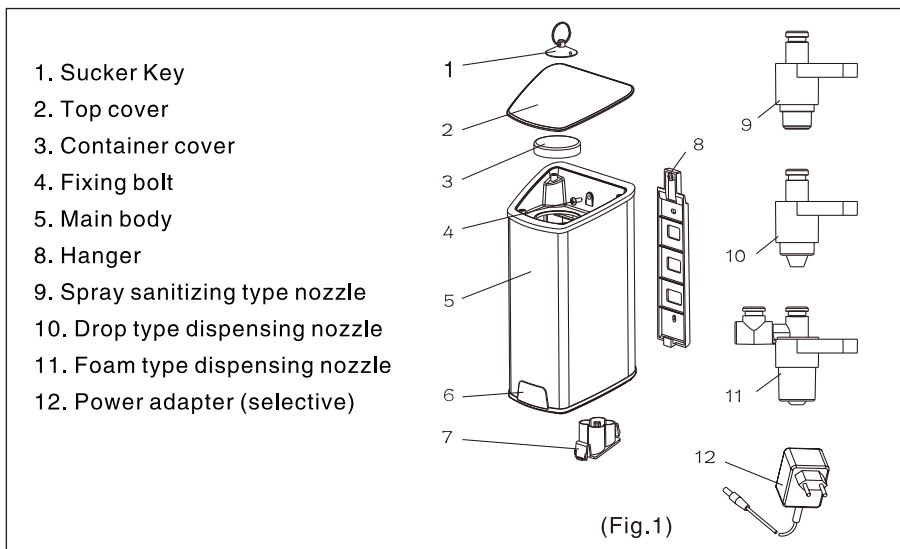
A member of SANIPEXGROUP

SOAP DISPENSER USER MANUAL

Thank you for purchasing this auto soap dispenser. It is controlled by digital circuit with infrared sensor. It works steady, durable and sensitive, and it has good anti-interference ability. This is a 3 in 1 combined auto soap dispenser. Please select the relevant nozzle to fix, according to the filled type of liquid. It is an ideal choice for hotel, restaurant, household, etc.

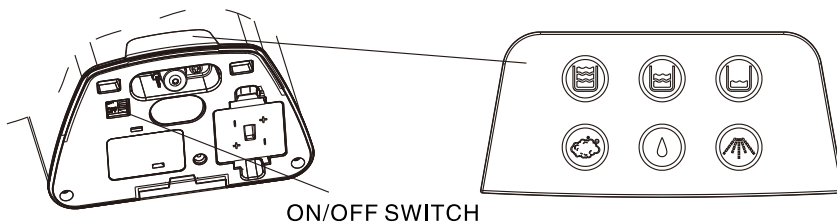
Features:








- ※ With intelligent control, the infrared sensor be defected and dispensed automatically. It can avoid to hand touching and the bacteria infected.
- ※ Large capacity. It can load 880ml maxed. The dispense dose is invariance, it can improve the efficiency.
- ※ select the relevant nozzle to fix easily, according to the filled type of liquid.



Application

1. The power switch is under the bottom of the machine, when remove the nozzle or batteries box, please turn off the machine.
2. This dispenser has the liquid position detected function. The liquid position light will indicate (high, middle, low), according to liquid position in the container actual
3. When replace the relevant nozzle and be detected, the indicator light will indicate the relevant pattern, it is easy to know the requiring filled liquid type.

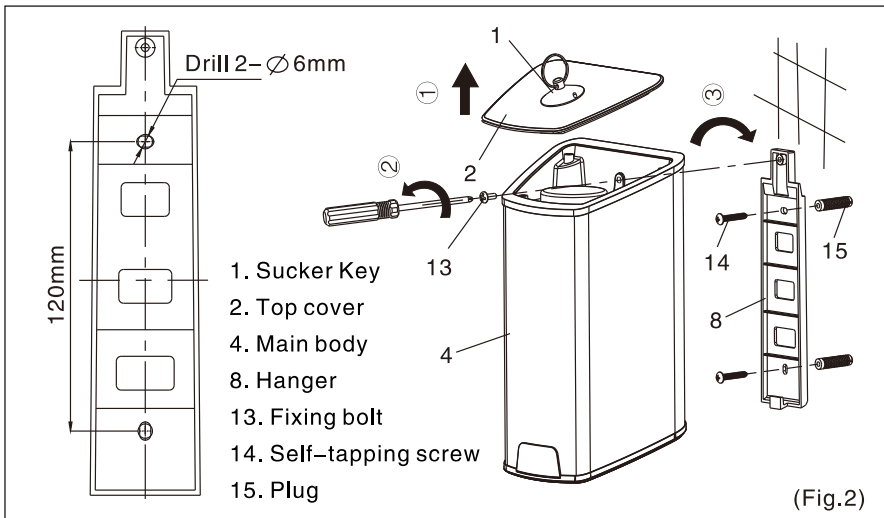


	High	When the light is on, it means the liquid is full.
	Middle	When the light is on, it means the liquid is normal using.
	Low	When the light is on, it means the liquid is used out nearly.
	Foam light	When the light is on, it means it is using foam type liquid.
	Drop light	When the light is on, it means it is using drop type liquid.
	Spray light	When the light is on, it means it is using spray sanitizing liquid.
	Power switch	"ON" means the machine is working, "OFF" means power off

Note: Please make sure to use the correct type of liquid according to the different function nozzle (foam, drop, sanitizing), otherwise, it will easy to get blocked.

Installation methods:

1. Please open the top cover using the sucker key as Chart 2 shown, use the screws driver to screw out the fixing screws, and take out the hanger.
2. Drill two fixing holes at 6mm according to the fixing position as Chart 2 shown, and put the plugs in.
3. Use the self-tapping screws to fix the hanger, and hang the soap dispenser.



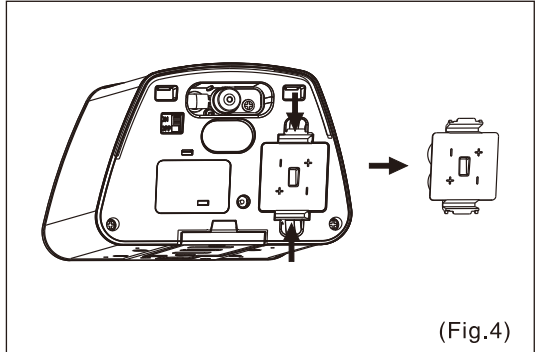
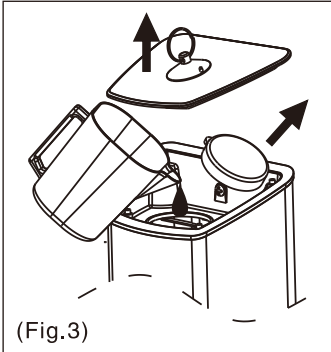
Using Instruction

※ Soap Refill

Use the sucker key to open the top cover as Chart 3 shown, open the container cover and refill the liquid into the bottle max by 880ml.

※ Batteries installation

- 1.Take out the batteries box from the dispenser as Chart 4 shown
- 2.Put the batteries into the batteries box correctly, and install the batteries box back into the dispenser.



※ Connect the AC power

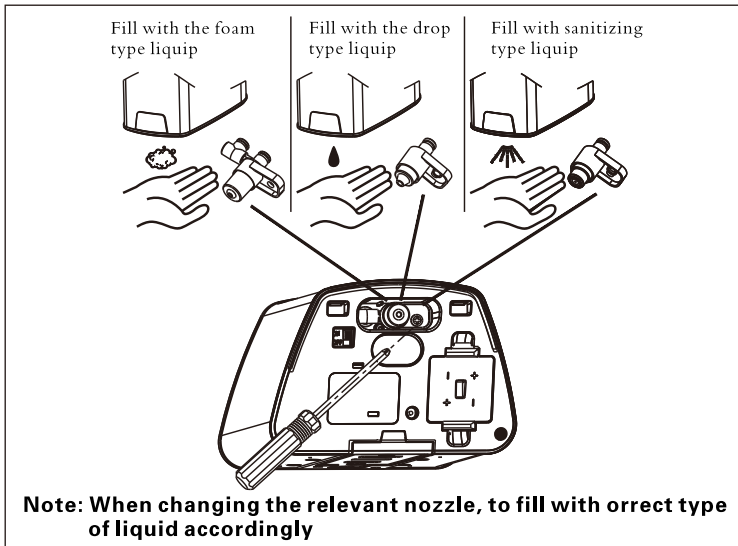
This product can be used with AC power, and recommending you to use it nearby the socket AC Adapter specification:100–240V~50/60Hz

Input voltage: DC6V

Output power:≈30VA

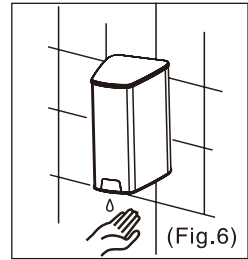
※ Replace the dispense nozzle

Use the screw driver to screw out the nozzle fixed screws and remove the nozzle, and then install the required the nozzle and fixed the screws as the chart 5



※ Using

When put the hand under of the dispensing nozzle at the range within 13cm, the dispenser will dispense automatically one time, the dose of each time is 1ml. The display indicator light will be on, when it is detected and working. When it is finished, the light will be off automatically. (Refer to chart 6)



Technical Specification:

Voltage: LR6 1.5 x 4	capacity: 880ml
Sensing distance: 13cm	dose: 1ml / time

Notes:

- 1.For avoiding improper operation, leave at least 40cm space under the dispenser, and do not install the dispenser in the place which have strong direct sunlight or above the things which have high refraction.**
- 2.Please use the correct type of liquid according the different function nozzle, otherwise it will cause the blocked in the outlet.**
- 3.Prevent anything from blocking the soap outlet**
- 4.Keep the soap clean without any impurities.**
- 5.Do not splash the dispenser directly.**

Package:

- One set of soap dispenser
- One copy of user manual
- One pack of 2pcs self-tapping screws, 2pcs plugs, 1pc of sucker key

