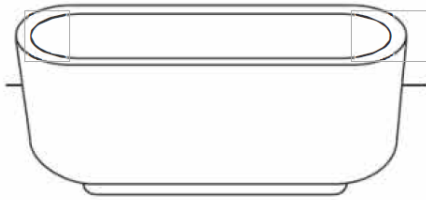


AQUAECO

WASHROOM AND PLUMBING SOLUTIONS

Installation Guide



FREESTANDING BATH-TUB

NOTE: for illustrative purposes only an 1800x800mm bath-tub is shown, please follow the same procedure to install the other products.

A member of SANIPEXGROUP

Please leave these instructions with the customer

IMPORTANT PLEASE READ

Remove all packaging and check the product for missing parts or damage before starting installation.

Any alterations made to this product and fittings may infringe water regulations and invalidate the guarantee.

The Installation must comply with all Local/National Water Supply Authority Regulations/Byelaws and Building and Plumbing Regulations.

We strongly recommend that your product be installed by a reputable qualified trade's person.

General Installation:

Please note this product can require 2 or more persons to lift and manoeuvre into position.

To the installer: Please read and follow this instruction carefully, as the guarantee is only valid if the product is installed as directed.

Don't rush, read the instructions first and run through them before you begin. Keep fittings together to avoid loss. Do not over tighten screws or bolts.

If the unit is covered with polyethylene protective film, do not remove until installation is complete to grant maximum protection. However, remove film where any two surfaces will be in permanent contact.

Verify that all dimensions on the plan are the same as the ones of the product.

Please leave this installation manual with the end user once the product has been installed.

Product Aftercare:

We recommend cleaning with a soft damp cloth and mild soap solution.

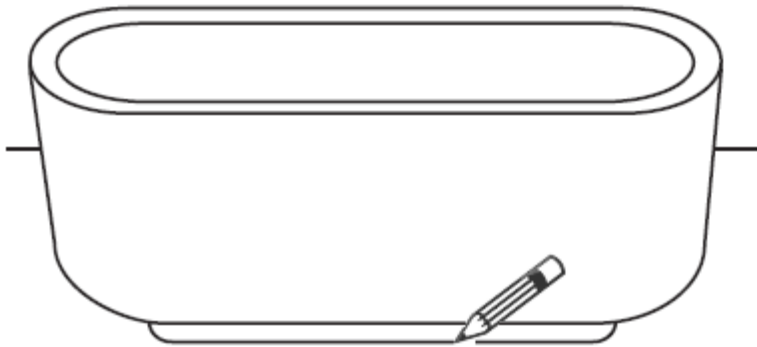
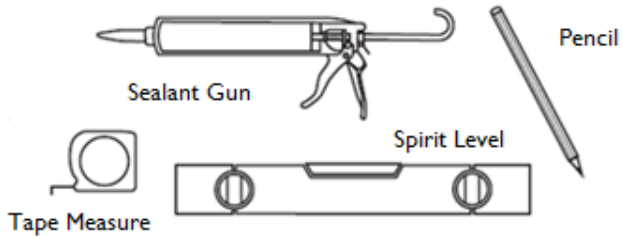
Do not use cream cleaners or cleaners containing bleach.

Do not scrub or scour.

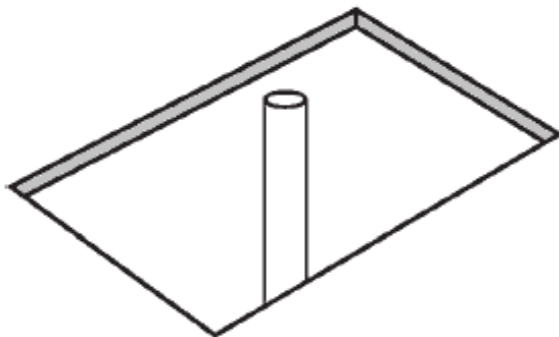
Do not use abrasive cleaning agents.

Do not use solvent based cleaners.

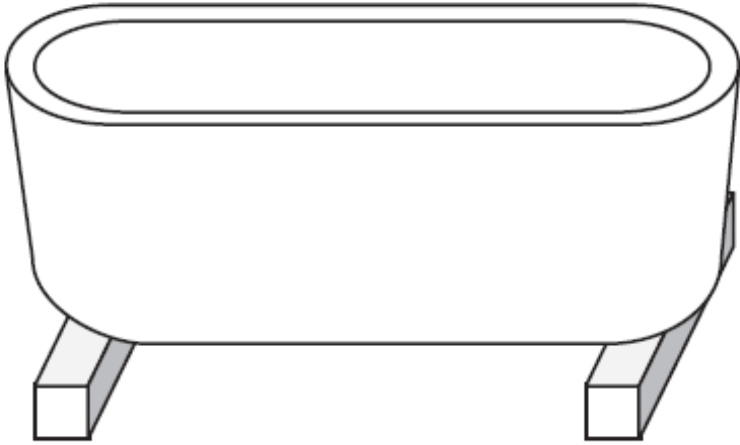
TOOLS REQUIRED (Not supplied)



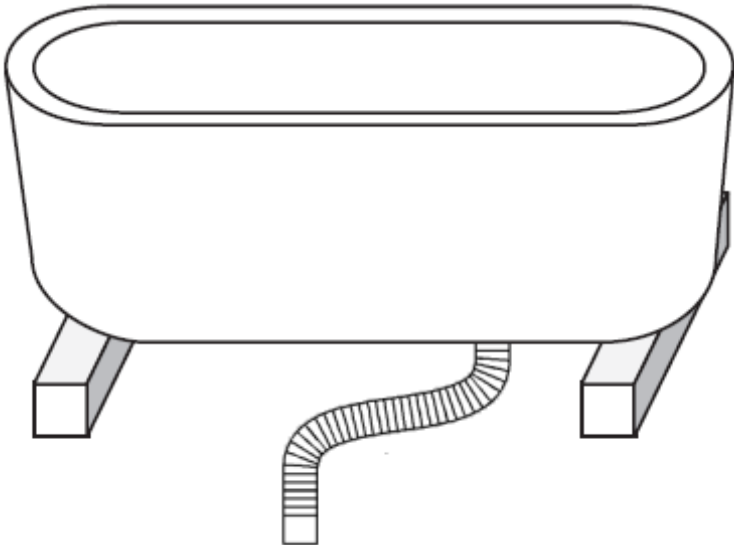
Carry the bathtub, and place in the final position, using a pencil draw around the perimeter of the base, this will help you re-align the bathtub on final fixing.



Remove the bathtub, inside the pencil line perimeter arrange the waste in the floor.



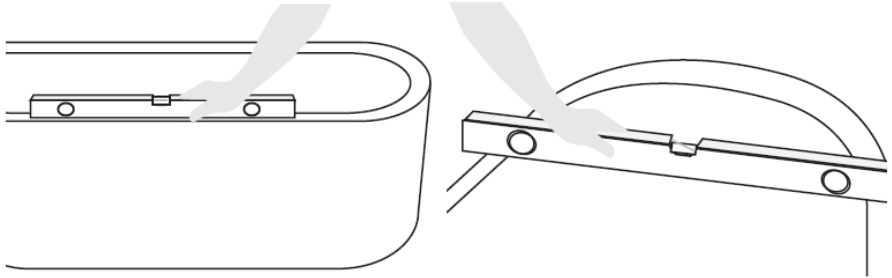
The waste can now be connected, for ease leave the bath in position but raise it by using 2 pieces of 4"x4" timber, this will give you adequate room to connect the waste.



The flexible waste can be connected in 2 ways, 1. Can be connected after the bottle trap and the connected to the waste pipe under floor level. 2. Connected to the bath waste and then taken through the floor level to a trapped gully.

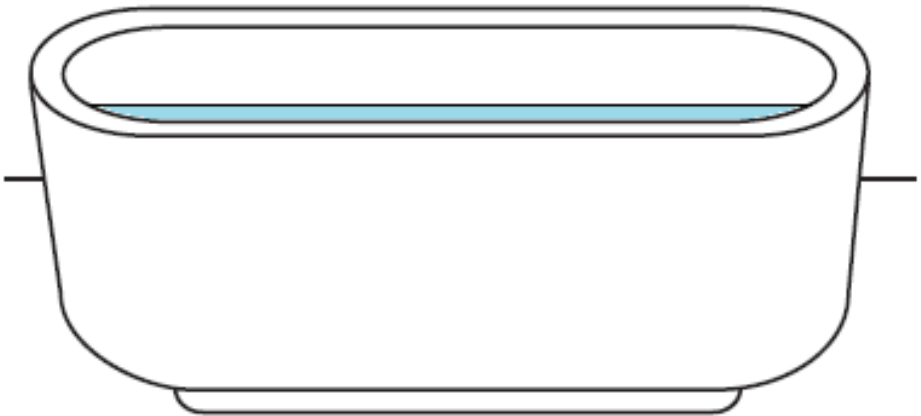
Tip: when the waste is connected it is advised to pour some water into the bathtub to check for leaks

Note: also at this time, if the Bathtub has a deck mounted mixer the connections should also be made.

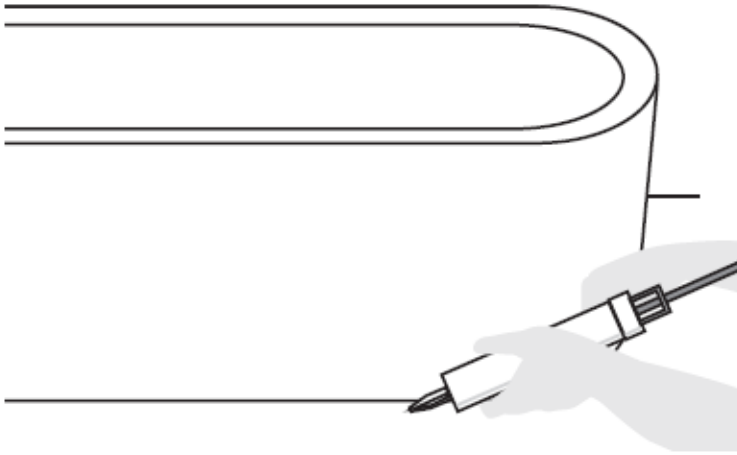


Place the bathtub onto the finished floor level. Make sure that both horizontal axis are level.

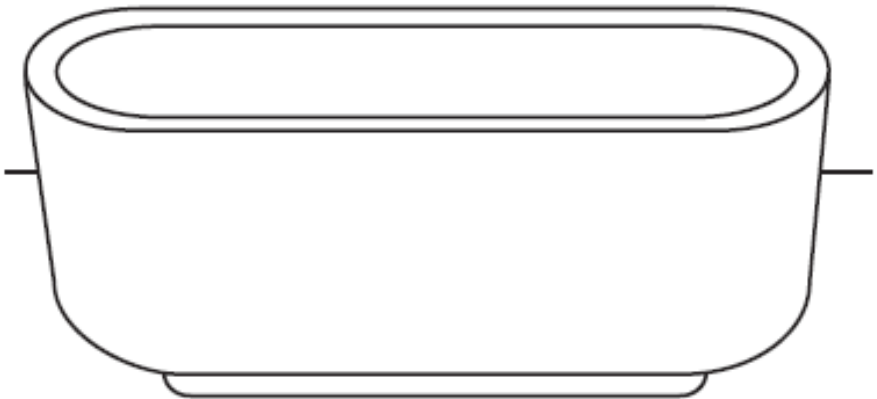
Levels can be adjusted by shims (*not included*).



Filling the bath with water will help with the final levelling and show any further “shim” areas required.



Remove the water from the bathtub, apply a bead of silicon around the outer perimeter.



Allow the silicon to cure for up-to 8 hours, after this time has passed the installation is

COMPLETE!

AQUAECO

WASHROOM AND PLUMBING SOLUTIONS

Oakwell Way, Birstall
Leeds, England WF9 17LU

A member of SANIPEXGROUP