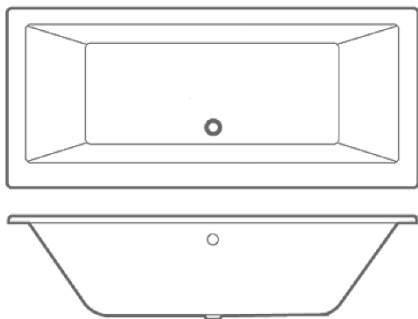


# BAGNODESIGN

EXPERTLY CRAFTED BATHROOMS

---

## General Installation Guide



## INSET BATH-TUB

NOTE: for illustrative purposes only an 1800x800mm bath-tub is shown, please follow the same procedure to install the other products.

A member of  SANIPEXGROUP

Please leave these instructions with the customer



## IMPORTANT PLEASE READ

Remove all packaging and check the product for missing parts or damage before starting installation.

Any alterations made to this product and fittings may infringe water regulations and invalidate the guarantee.

The Installation must comply with all Local/National Water Supply Authority Regulations/Byelaws and Building and Plumbing Regulations.

We strongly recommend that your product be installed by a reputable qualified trade's person.

### **General Installation:**

**Please note this product can require 2 or more persons to lift and manoeuvre into position.**

To the installer: Please read and follow this instruction carefully, as the guarantee is only valid if the product is installed as directed.

Don't rush, read the instructions first and run through them before you begin. Keep fittings together to avoid loss. Do not over tighten screws or bolts.

If the unit is covered with polyethylene protective film, do not remove until installation is complete to grant maximum protection. However, remove film where any two surfaces will be in permanent contact.

Verify that all dimensions on the plan are the same as the ones of the product.

Please leave this installation manual with the end user once the product has been installed.

### **Product Aftercare:**

We recommend cleaning with a soft damp cloth and mild soap solution.

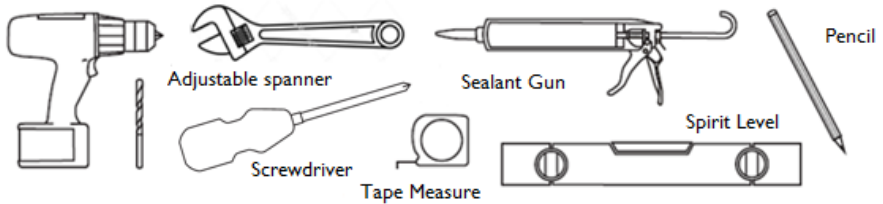
Do not use cream cleaners or cleaners containing bleach.

Do not scrub or scour.

Do not use abrasive cleaning agents.

Do not use solvent based cleaners.

## TOOLS REQUIRED (Not supplied)

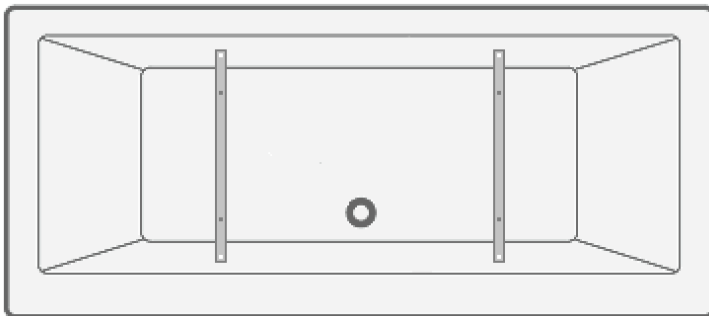


### Drill and drill bits



Required when securing the bath tub to the floor. Use an appropriate size bit to match the floor fixing chosen (screws and fixings not supplied).

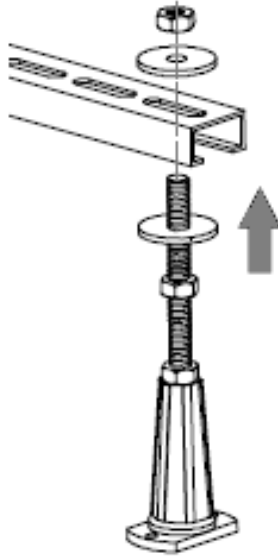


Carry the bath near to where the bath is going to be installed and turn upside down, its recommended to lay the bathtub onto a protective sheet/blanket.

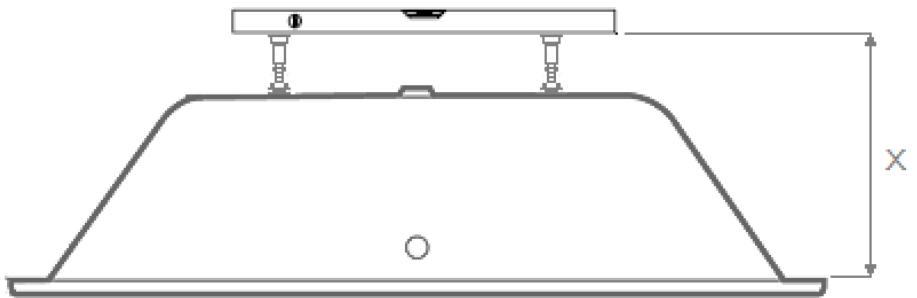


Whilst upside down, use the screws supplied with the bath leg set and secure the two bars evenly across the bath tub.

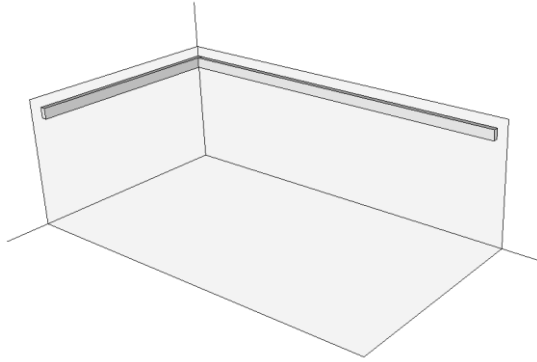
 *Do not use any longer screws as this could pierce the bathtub* 



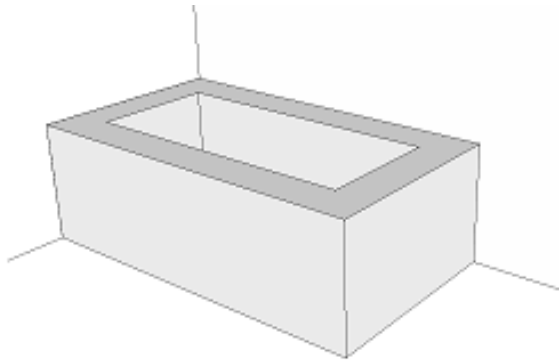
Screw the foot onto the threaded bar, screw one nut to the base, screw on a further nut and washer onto the threaded bar then push the assembly through the bar and secure with another washer then nut.



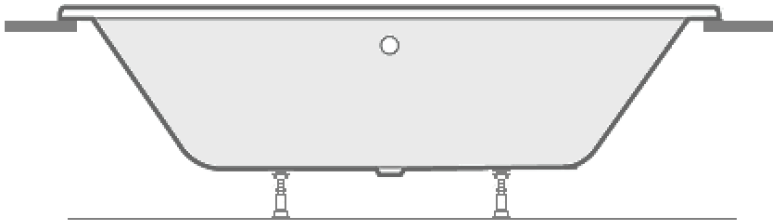
To make installation easier, firstly measure the required height the bathtub is to be inset too (X), adjust the legs to this height and level across. The bathtub is now prepared.



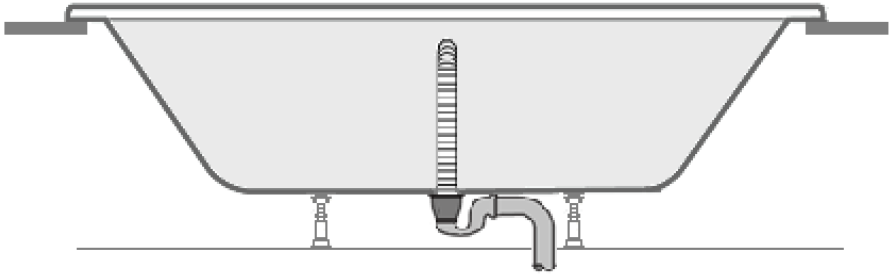
If the tub is to be installed directly against the wall, please ensure that 2 batons are secured to the wall, this will support the bottom lip of the bathtub.



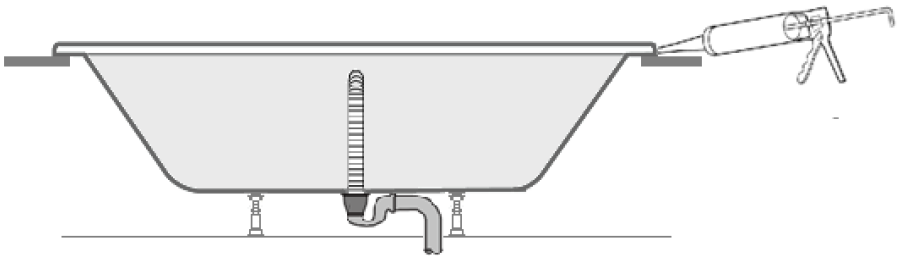
If the bath is inset, firstly measure the size of the bath and mark this on the top. Then make the opening smaller on all sides by approx. 20-30mm, this will allow the bathtub to be supported around the perimeter of the rim.



Install the bathtub into position, adjust the legs to suit and make sure all legs are firmly touching the floor. If required, the legs can be fastened to the floor.



Connect the waste assembly to the bath tub, and fill with water. This will help level and bed the bath in



Empty the water from the bath, place a small bead of silicone around the perimeter of the bath tub

Allow the silicon to cure for up-to 8 hours.

***INSTALLATION COMPLETE!!!***

