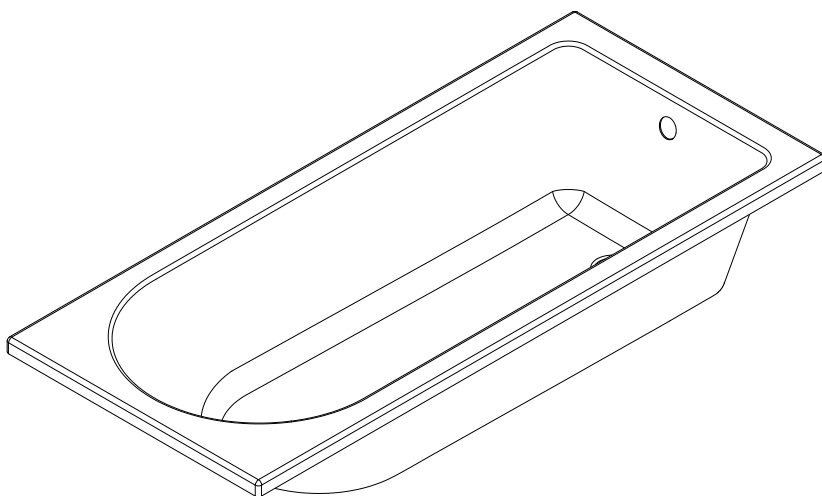


BAGNODESIGN

EXPERTLY CRAFTED BATHROOMS

Installation Guide



BDB-UNI-BATHTUB

UNIVERSAL SINGLE ENDED RECTANGLE BATH

A member of **SANIPEXGROUP**
www.sanipexgroup.com

IMPORTANT PLEASE READ

All products manufactured and supplied by BAGNODESIGN are fit for purpose as long as they are Installed, used correctly, cleaned and receive regular maintenance in accordance with these instructions...

Remove all packaging and check the product for damage or missing parts before commencing with the installation.

Any alterations made to this product and its components may infringe product certification, infringe water regulations and invalidate the guarantee. The Installation must comply with all local/national water supply authority regulations/bylaws and building and plumbing regulations, therefore we strongly recommend that your product be installed by a reputable qualified trade's person.

PRODUCT LIFECYCLE

"The product LiveCyclele is the collective stages that a product goes through from its conception and design through to its ultimate disposal."

DISPOSAL GUIDANCE

The best way to ensure your Product has a long life is to follow the Care and Maintenance guides set by the Manufacture after purchase. This document can be found at www.sanipexgroup.com.

The life cycle of the product is not in correlation to the product Guarantee; the standards the products are manufactured or certified to (e.g. CE & WRAS) can exceed past the Guarantee duration. After the life cycle of the product is deemed complete by the end-user please follow the below to dispose of the items correctly...

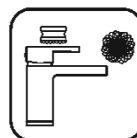
CLEANING CARE GUIDE

Only use a mild soap and water for cleaning.
Rinse with water to remove the mild soap solution.
We recommend the product is dried using a soft cloth after every use.

Never use any abrasive or strong cleaning products containing, bleaches, acids (hydrochloric, formic, phosphorus, chlorine or acetic), strong detergents, limescale remover, alcohol or dyes etc.

Never use abrasive cleaning pads, wire wool or microfibre cloths.
Never use cleaning equipment that may have been pre-used and contaminated with the above substances.




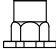

Never apply the cleaning product directly onto the finished surface.



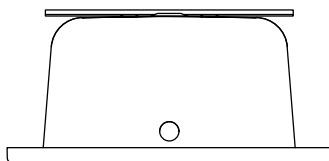
BATH FITTING INSTRUCTION

ATTENTION! Before fixing any Bath or Panel - remove ALL protective covering and examine carefully. The polythene film must be removed in full and the bath checked for any visible damage.

NO CLAIMS FOR THE ABOVE WILL BE ACCEPTED ONCE THE BATH IS FITTED.

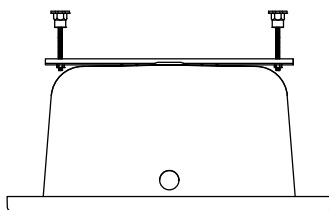
SCREWS		8
HEXAGON NUTS		8
THREADED BAR	 120mm	4
LEG FOOT		4
LEG SUPPORT BAR		2

1. Fix leg support bars to the base of the Bath using screws (x8). PLEASE NOTE: the base board is encapsulated in the base of the bath.

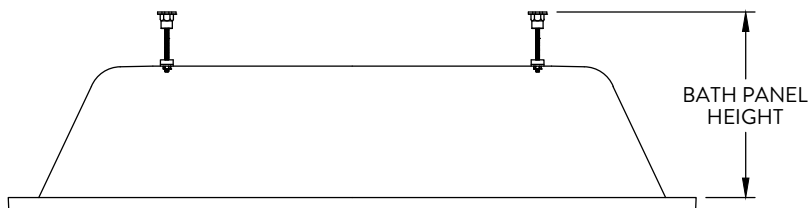


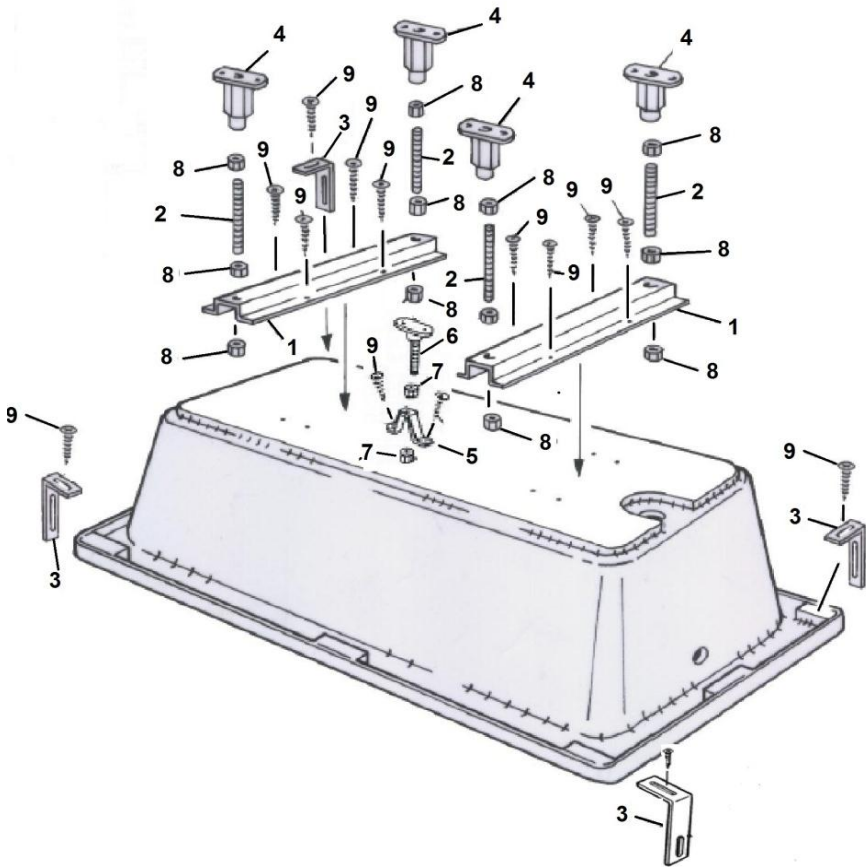
PRODUCT SHOWN WILL VARY
DEPENDING ON MODEL

2. Fit the plastic feet to the threaded bars. Fit the threaded bars through the holes in the support bars and secure with the hexagon nuts (x8).



3. Adjust the height of the bath feet to match the bath panel height before installing the bath.





Item No.	Quantity	Description	Checked
1	2	500mm Channels 120mm	
2	4	All threads	
3	4	Wall Brackets M12x65mm	
4	4	Plastic Feet Centre Foot	
5	1	Bracket	
6	1	M8 Centre Foot	
7	2	M8 Nuts	
8	12	M12 Nuts	
9	14	16mm Self Tapping Screws	
10	1	Fitting Instruction	YES

Illustrations and specifications are not binding in detail bath model supplied may vary

ATTENTION!
REMOVE FILM PRIOR TO FITTING

- Before fixing any bath or panel – remove ALL protective covering and examine care fully. The polythene film must be removed in full and the bath checked for any visible damage.
- Check the panel fit and match prior to installation

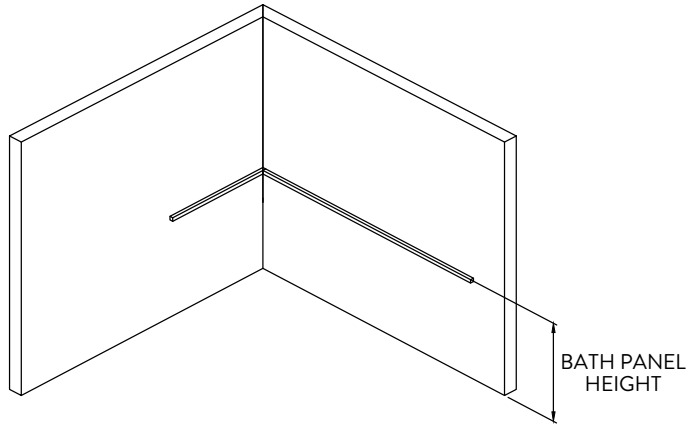
NO CLAIMS FOR THE ABOVE WILL BE ACCEPTED ONCE THE BATH IS FITTED

1. Remove all packaging including the polyethylene film which covers the entire bath
2. Check that color match is acceptable and that there is no damage on the bath that may have occurred prior to installation
3. Fix the two 500mm channels to the base of the bath (see illustration) using the self tapping screws
4. Place the All thread bars through the holes in the 500mm channels and fix the 65mm plastic feet using the M12 Nuts (see illustration)
5. Secure the adjustable center support using screws and nuts provided to the center of the baseboard. Attach the center foot with nuts provided
6. Secure the Wall Brackets to the bath as *illustrated using screws provided
7. With the bath in the upright position set top face level using threaded adjustment of feet and lock-nuts. If a panel is to be fitted set bath height to depth of panel
8. Before final fixing of the bath, fit tap and waste fittings using a suitable sealing compound. When complete fit the bath into position and secure the legs to the floor
9. Ensure the wall brackets are securely fixed to the wall. Movement may occur if not fitted correctly.

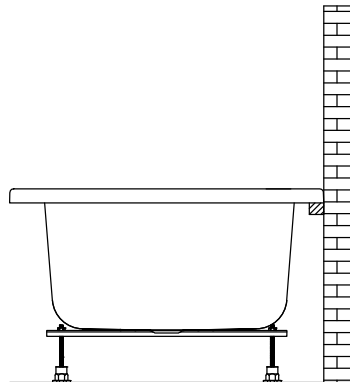
PLEASE NOTE:

- *It is advised that shower baths and rectangular baths that are NOT going wall to wall should be supported on the front rim by the use of a wooden support or similar.
- When relevant the bath should be set to supplied panel height
- The baseboard, if not visible, is encapsulated into the bath (I.e. under the GRP reinforcement)

- Attach a timber batten support (not supplied) to the wall. Use a spirit level to ensure that the timber supports are level.



- Install the bath against the wall, ensuring that the bath rests on the timber batten



INSTRUCTION FOR USE AND SURFACE MAINTENANCE

Acrylic surfaces can be easily cleaned right after the water has drained. Remove any sediment with a soft damp cloth and warm soapy water. **DO NOT** use detergents containing abrasive components as they wear and tarnish the acrylic surface.

The manufacturer is **NOT** liable for any damage caused if the assembly instructions have not been followed. This in particular concerns an assembly preventing easy and safe disassembly.

In addition, the manufacturer is **NOT** liable for assembly and disassembly costs and any additional costs related to bath replacement.

