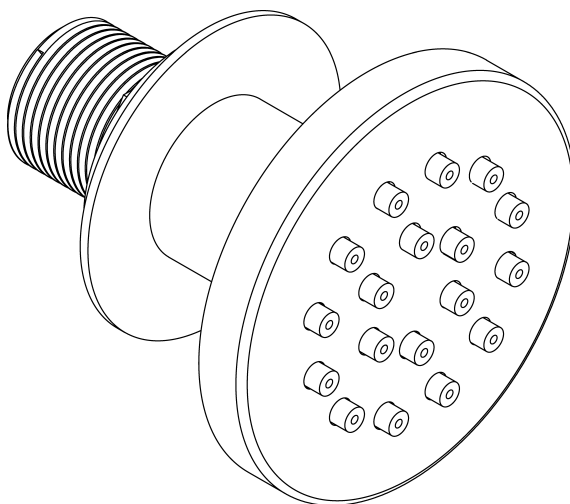


BAGNODESIGN

EXPERTLY CRAFTED BATHROOMS

Installation Guide



BDD-MLI-560-XX

M-LINE BODY JET DIA. 60MM

A member of SANIPEXGROUP

www.sanipexgroup.com

IMPORTANT PLEASE READ

All products manufactured and supplied by BAGNODESIGN are fit for purpose as long as they are Installed, used correctly, cleaned and receive regular maintenance in accordance with these instructions...

Remove all packaging and check the product for damage or missing parts before commencing with the installation.

Any alterations made to this product and its components may infringe product certification, infringe water regulations and invalidate the guarantee. The Installation must comply with all local/national water supply authority regulations/bylaws and building and plumbing regulations, therefore we strongly recommend that your product be installed by a reputable qualified trade's person.

PRODUCT LIFECYCLE

"The product LiveCyclele is the collective stages that a product goes through from its conception and design through to its ultimate disposal."

DISPOSAL GUIDANCE

The best way to ensure your Product has a long life is to follow the Care and Maintenance guides set by the Manufacture after purchase. This document can be found at www.sanipexgroup.com.

The life cycle of the product is not in correlation to the product Guarantee; the standards the products are manufactured or certified to (e.g. CE & WRAS) can exceed past the Guarantee duration. After the life cycle of the product is deemed complete by the end-user please follow the below to dispose of the items correctly...

Mixers (Taps):

If the mixers are no longer accepted due to mechanical use or aesthetic style, these can be disposed of at a registered Local Authority waste recycling center where the individual components can be sorted.

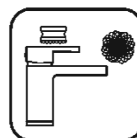
CLEANING CARE GUIDE

Only use a mild soap and water for cleaning.
Rinse with water to remove the mild soap solution.
We recommend the product is dried using a soft cloth after every use.

Never use any abrasive or strong cleaning products containing, bleaches, acids (hydrochloric, formic, phosphorus, chlorine or acetic), strong detergents, limescale remover, alcohol or dyes etc.

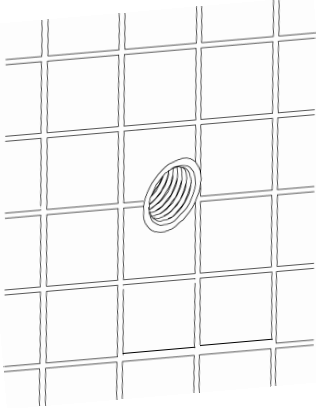
Never use abrasive cleaning pads, wire wool or microfibre cloths.
Never use cleaning equipment that may have been pre-used and contaminated with the above substances.

Never apply the cleaning product directly onto the finished surface.

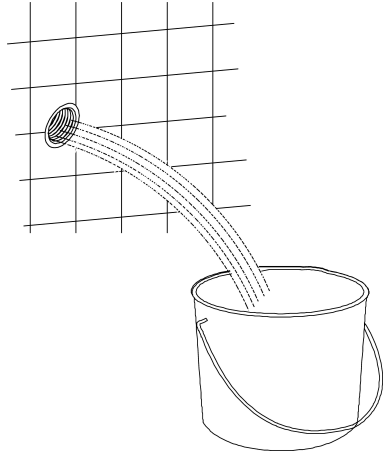


Installation Steps For Walls Fixing

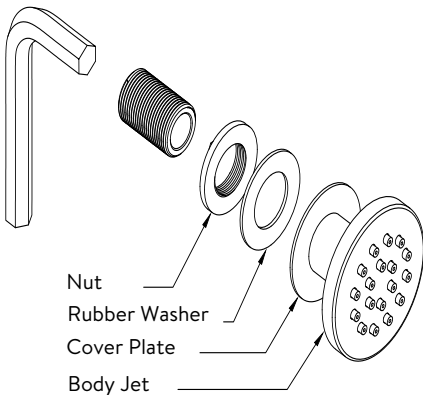
- 1 Make sure that the connections are ready for bodyjet.



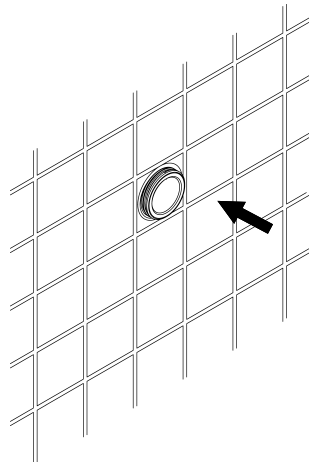
- 2 Clean carefully the pipes and check the water flow before connecting the bodyjet to the system to ensure a good operation.



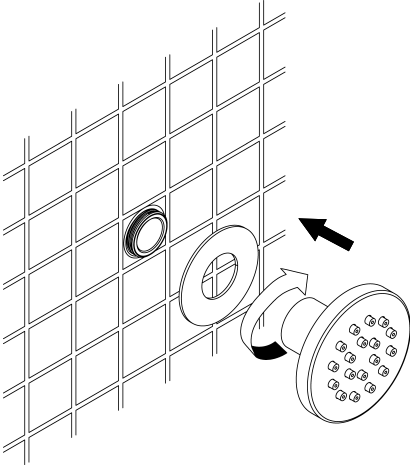
- 3 Remove the backside bolt used by a suitable Allen key.



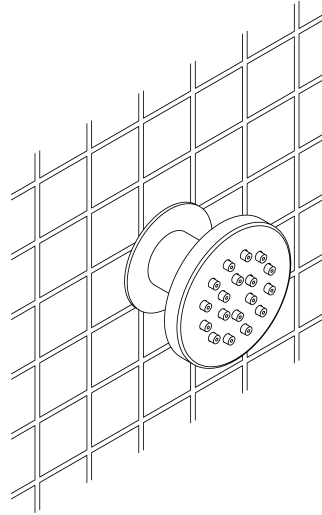
- 4 Fix the bolt into the wall outlet connection.



- 5 Clean the connection and fix the body-jet followed by the back plate.



- 6 Installation complete.

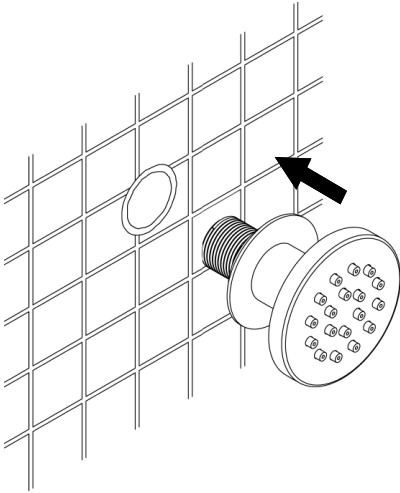


Cleaning

All surface should be cleaned using a clean damp cloth. No abrasive cleaning agents or materials should be used.

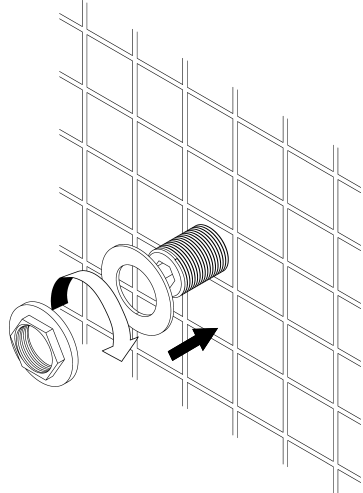
Installation Steps for PVC, Cement Board Walls etc.

- 2 Clean the connection from both sides of the wall and push body-jet into the outlet connection carefully.



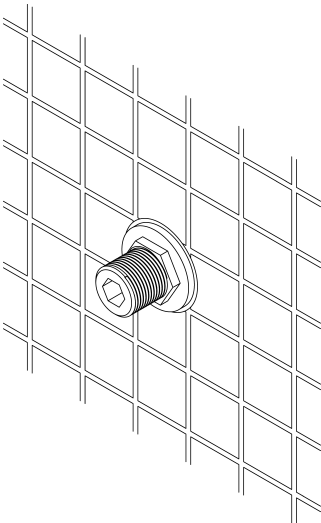
Front side of the fixing board

- 3 Fix the back nut followed by rubber washer to the bolt on the back side of the board or pvc.

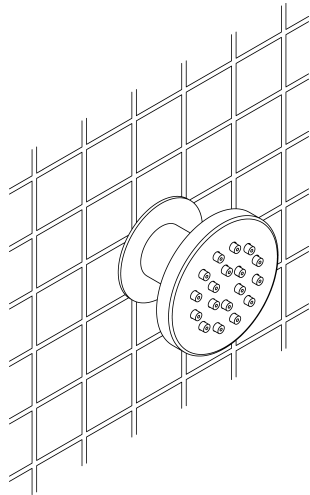


Back side of the fixing board

4



5 Installation complete.



NOTE

First steps from method # 1 will remain the same.

