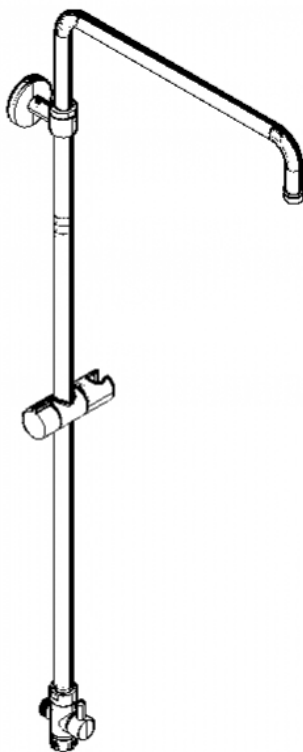


BAGNODESIGN

EXPERTLY CRAFTED BATHROOMS

General Installation Guide



BDD-SPA-502-XX

BAGNO SPA UNIVERSAL SHOWER COLUMN

A member of SANIPEXGROUP

BEFORE YOU BEGIN

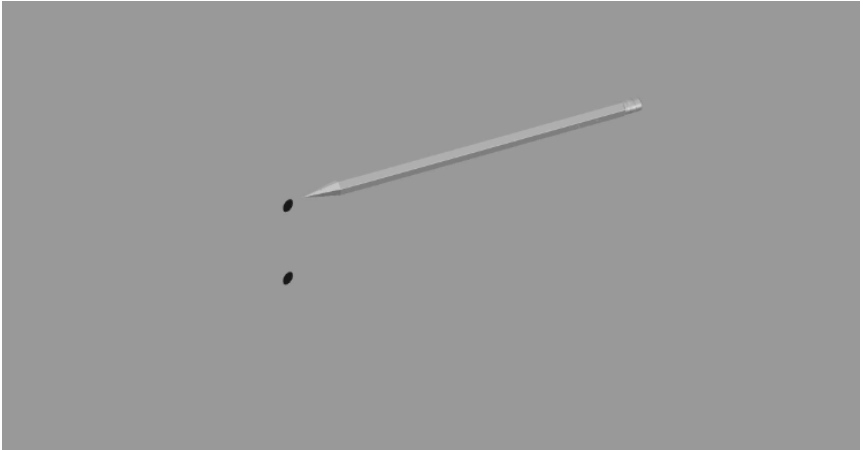
NOTES:

1. . Flush the water supply pipes thoroughly to remove any debris.
2. . An in-line water filter must be used with this product.
3. . Inspect the supply pipes for damage. Replace as necessary.
4. Check for leaks before covering the pipes, repair as needed.

Note: This guide covers the installation of the shower column only. Please refer to the manufacturer's instructions for installation of other components such as the mixing valve, shower head and hand shower.



Separate the fixing bracket and cover plate from the shower column by removing the screws fixed on the top and bottom of the cover plate with an allen key.



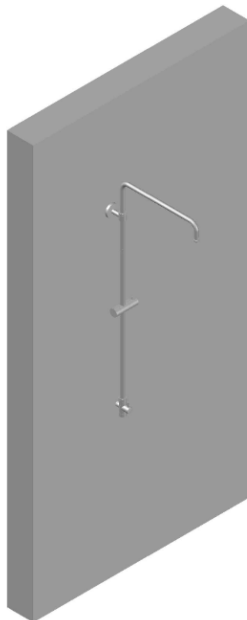
1.) Mark fixing holes once you decided the position of shower column. Ensure that the mounting points are aligned vertically and clear of any obstructions.



2.) Ensure the escutcheons will cover any holes in the wall. Repair wall surfaces as necessary and drill the fixing holes.



3.) Install the mounting brackets onto finished wall and fix the cover plate, pressing firmly against the wall. Now install the shower column on the on the mounting bracket and secure with the screws used by an allen key from the top and bottom of the the cover plate.



INSTALLATION COMPLETE!!

