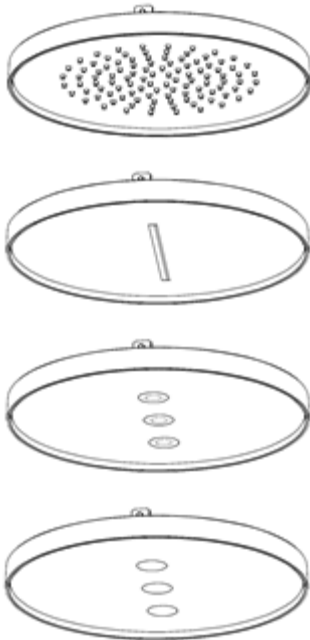


# BAGNODESIGN

EXPERTLY CRAFTED BATHROOMS

---

## General Installation Guide



## Spa Modular

**MODELS COVERED:**  
RAIN SHOWER HEAD  
WATERFALL SHOWER HEAD  
MIST SHOWER HEAD  
WATER COLUMN SHOWER HEAD

Please leave these instructions with the customer

## IMPORTANT PLEASE READ

All products manufactured and supplied by BAGNODESIGN are fit for purpose as long as they are Installed, used correctly, cleaned and receive regular maintenance in accordance with these instructions...

Remove all packaging and check the product for damage or missing parts before commencing with the installation.

Any alterations made to this product and its components may infringe product certification, infringe water regulations and invalidate the guarantee.

The Installation must comply with all local/national water supply authority regulations/byelaws and building and plumbing regulations, therefore we strongly recommend that your product be installed by a reputable qualified trade's person.

## PRODUCT LIFECYCLE

*"The product lifecycle is the collective stages that a product goes through from its conception and design through to its ultimate disposal."*

## DISPOSAL GUIDANCE

The best way to ensure your Product has a long life is to follow the Care and Maintenance guides set by the Manufacture after purchase. This document can be found at [www.bagnodesignlondon.com](http://www.bagnodesignlondon.com)

The lifecycle of the product is not in correlation to the product Guarantee; the standards the products are manufactured or certified to (e.g. CE & WRAS) can exceed past the Guarantee duration.

After the lifecycle of the product is deemed complete by the end-user please follow the below to dispose of the items correctly...

### **Showers (Heads-Hand-showers):**

If the mixers are no longer accepted due to mechanical use or aesthetic style, these can be disposed of at a registered Local Authority waste recycling centre where the individual components can be sorted.

## CLEANING CARE GUIDE

Please follow the below recommendations to ensure the product performs to your satisfaction and gives many years of use:

We recommend cleaning with a soft damp cloth and mild soap solution.

Do not use cream cleaners, cleaners containing bleach or abrasive cleaning agents

Do not scrub or scour.

Do not use solvent based cleaners.

Some nickel finishes will very slightly darken over time.

Specific stainless steel cleaners can be used on stainless steel products.

## GENERAL INSTALLATION:

To the installer, please read and follow these instructions carefully, as the guarantee is only valid if the product is installed as directed.

Don't rush, read the instructions first and run through them before you begin, keep the fittings together to avoid loss, do not overtighten screws or bolts.

If the product is covered with polythene protective film, do not remove until the installation is complete to grant maximum protection. However, remove film where any two surfaces will be in permanent contact. If tools are required to be used on a 'finished' surface, please place a cloth or similar over the area to protect the item from unnecessary scratching.

Before making any inlet pipe connections, all supply pipes **MUST** be flushed to remove debris such as solder, swarf, plastics and other building/construction substances.

The fitting of an in-line filter is recommended, failure to do this could result in damage to the cartridge and its components, it could also result in poor performance water flow from the outlet.

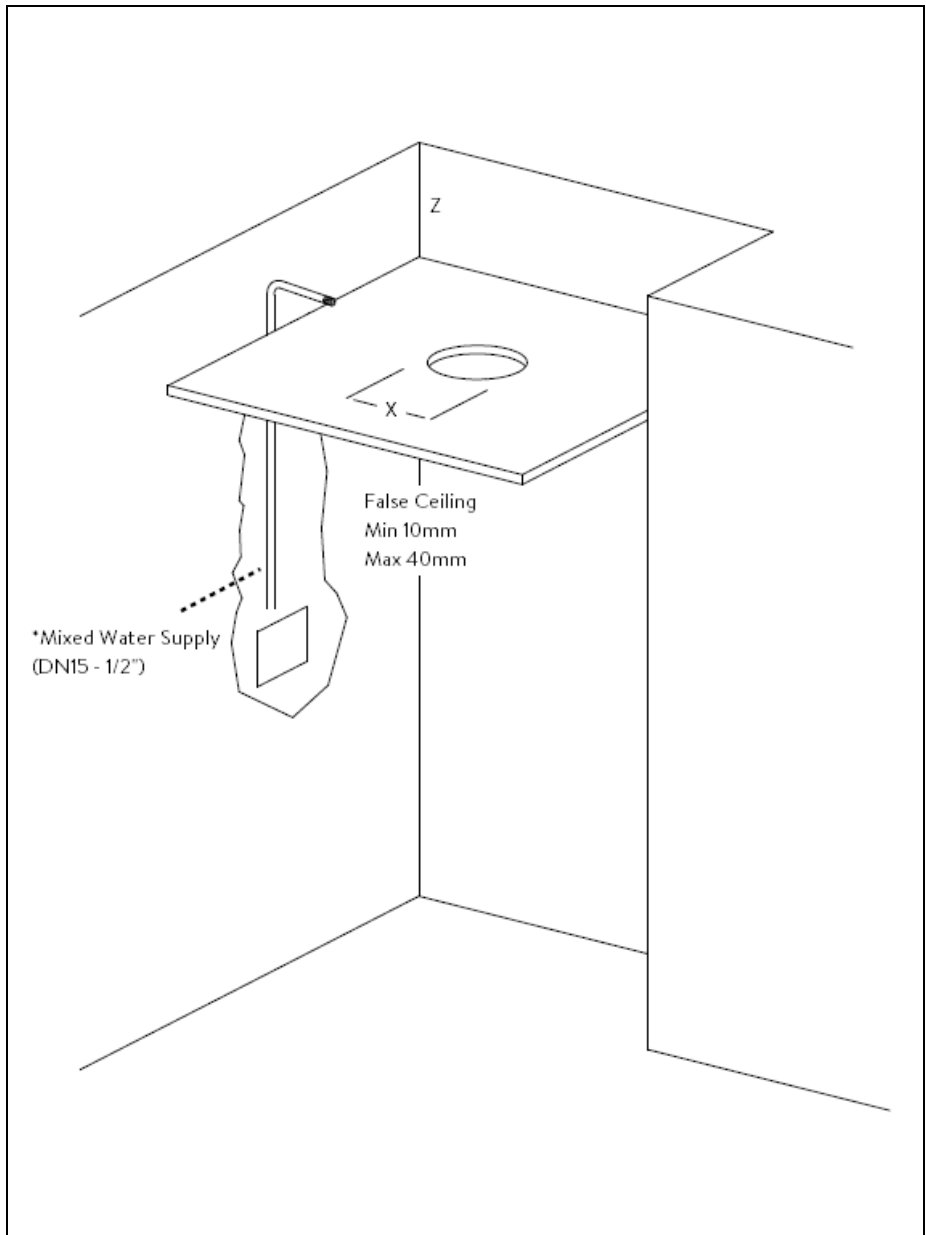
The fitting of isolation/stop valves on the inlet feeds is advised for ease of maintenance.

On fittings such as faceplates a small amount of lubrication is recommended on the rubber seals for ease of fitting.

## OPERATING SPECIFICATIONS:

Minimum Operating Pressure:	<b>1.5 Bar</b>
Optimal Operating Pressure:	<b>2.5-4 Bar</b>
Maximum Operating Pressure:	<b>5 Bar</b>
Maximum Operating Temperature:	<b>65°C</b>
Minimum supply required for false ceiling shower heads:	
Rain Function:	<b>16 l/min – 1.5 Bar</b>
Waterfall:	<b>10 l/min – 2 Bar</b>
Water Column	<b>14 l/min – 2 Bar</b>
Optimum supply required for false ceiling shower heads:	
Rain Function:	<b>18 l/min – 2.5 Bar</b>
Waterfall:	<b>14 l/min – 2.5 Bar</b>
Water Column	<b>17 l/min – 2.5 Bar</b>

RAIN  
WATERFALL  
MIST  
WATER COLUMN

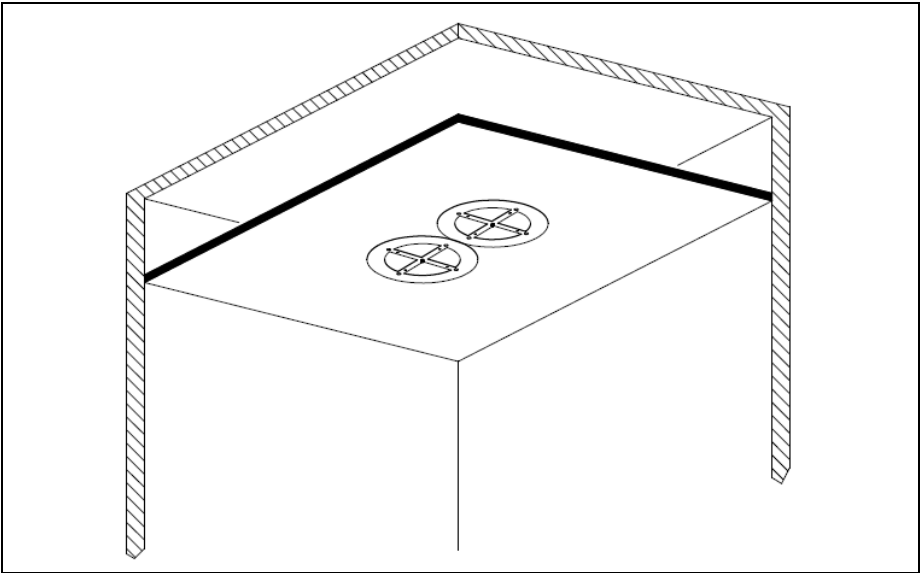


\*For multiple shower heads, individual mixed water supplies are required.

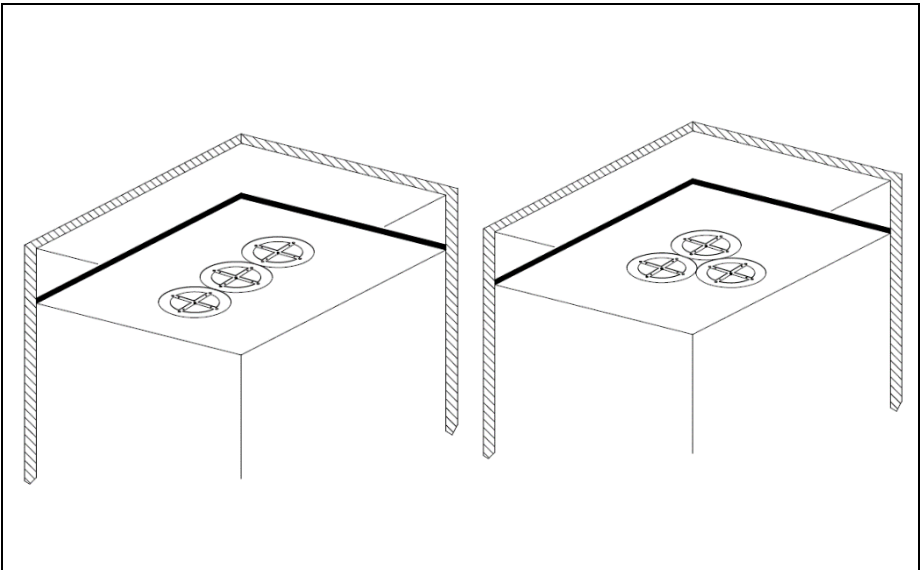
X - Ø204mm

Z - Min 200mm / Max 700mm

RAIN  
WATERFALL  
MIST  
WATER COLUMN

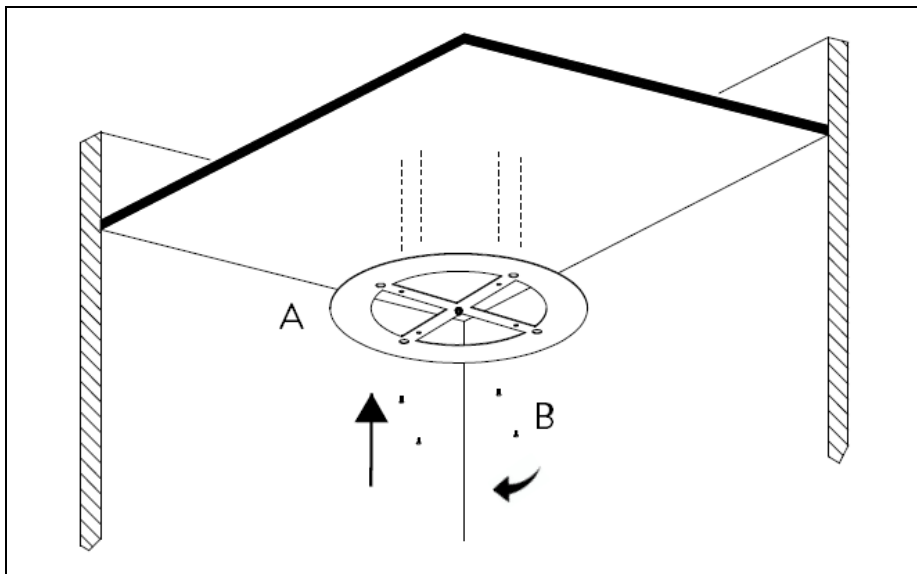


To Install 2 shower heads close to each other place the frames one next to the other and follow the instructions in the following pages...

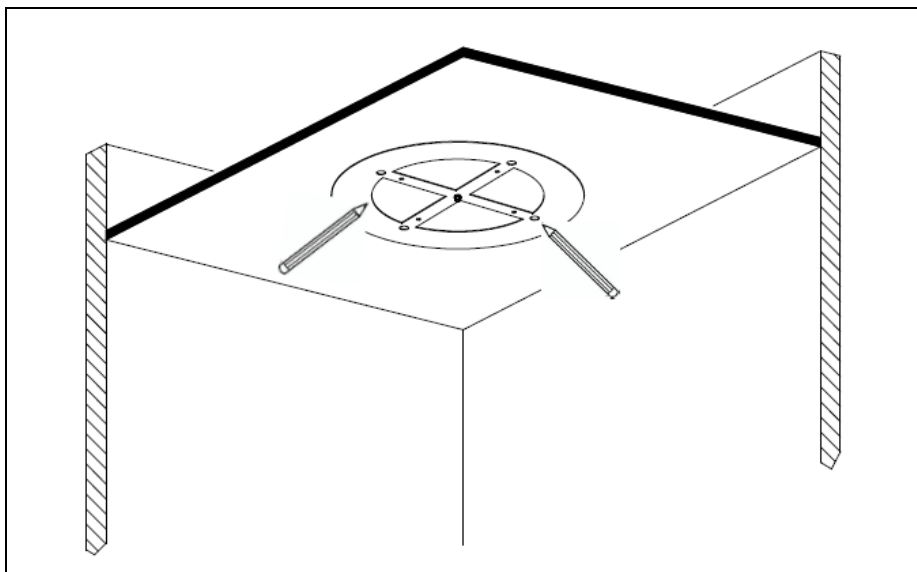


To Install 3 shower heads close to each other place the frames one next to the other and follow the instructions in the following pages...

RAIN  
WATERFALL  
MIST  
WATER COLUMN

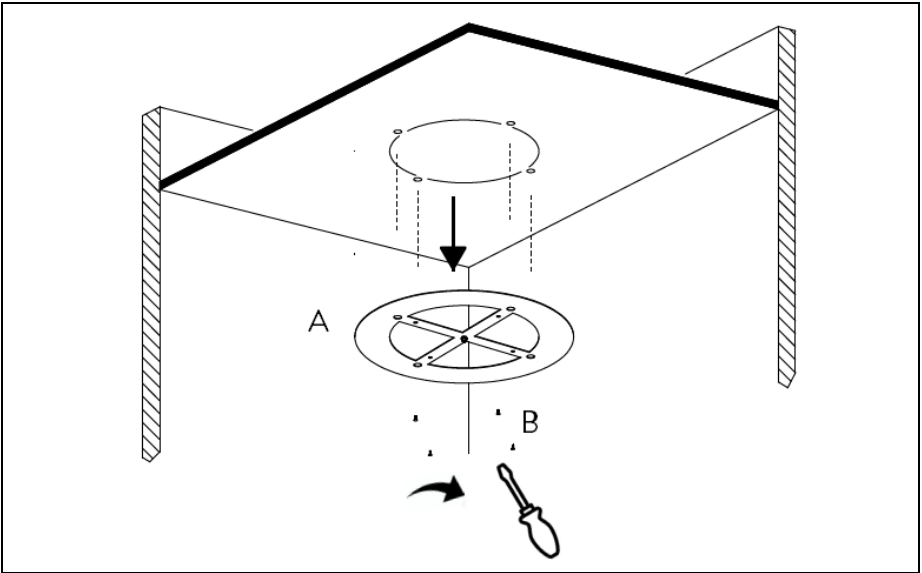


Fix the frame A to the false ceiling with 4 screws B provided.

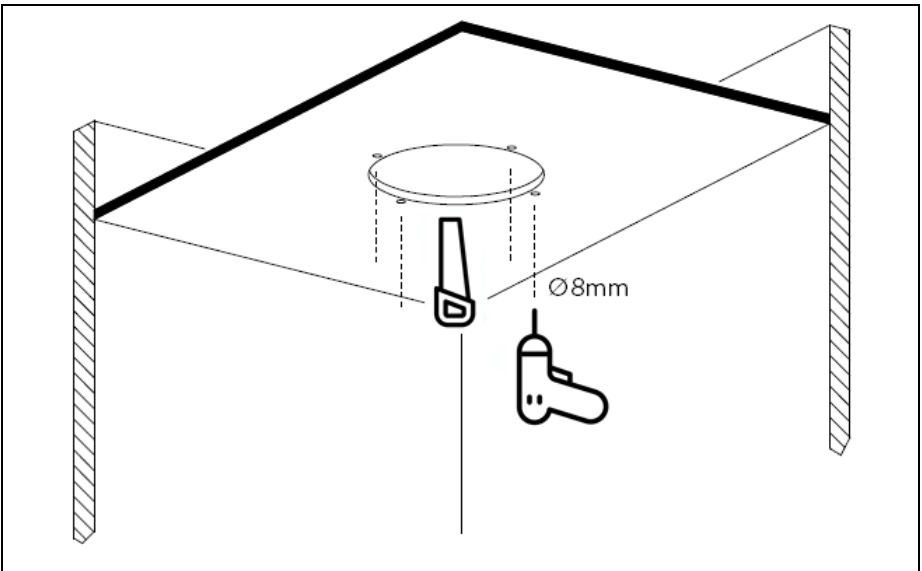


With a pencil, mark the position holes and the internal diameter of the frame.

RAIN  
WATERFALL  
MIST  
WATER COLUMN

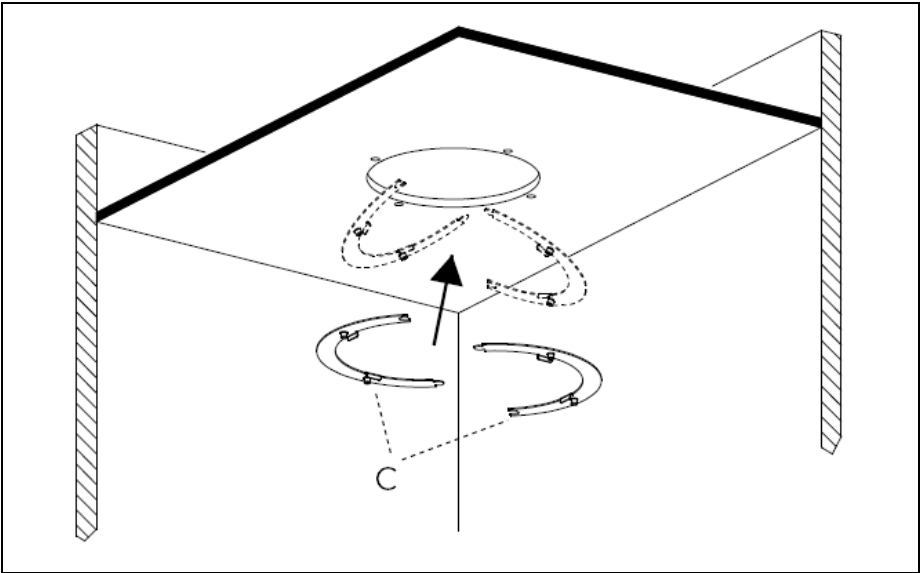


After marking with a pencil, remove the frame A from the false ceiling.

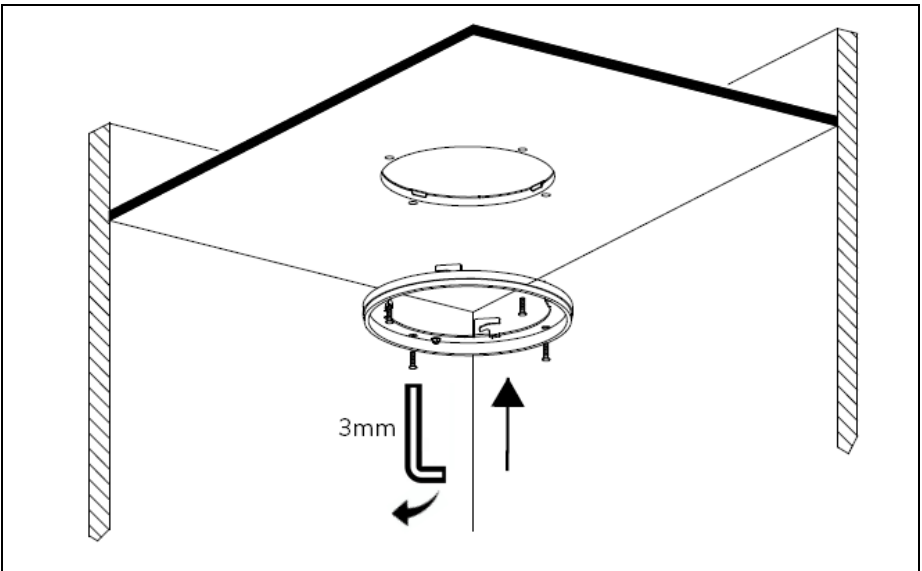


Drill the position holes and cut out the internal diameter previously marked.

RAIN  
WATERFALL  
MIST  
WATER COLUMN



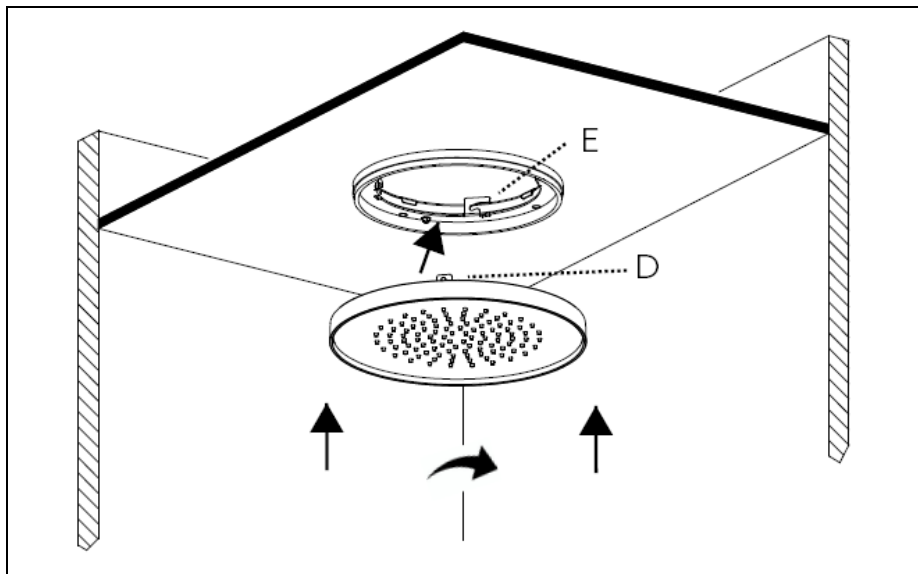
Place the circular frame C in position on top of the false ceiling



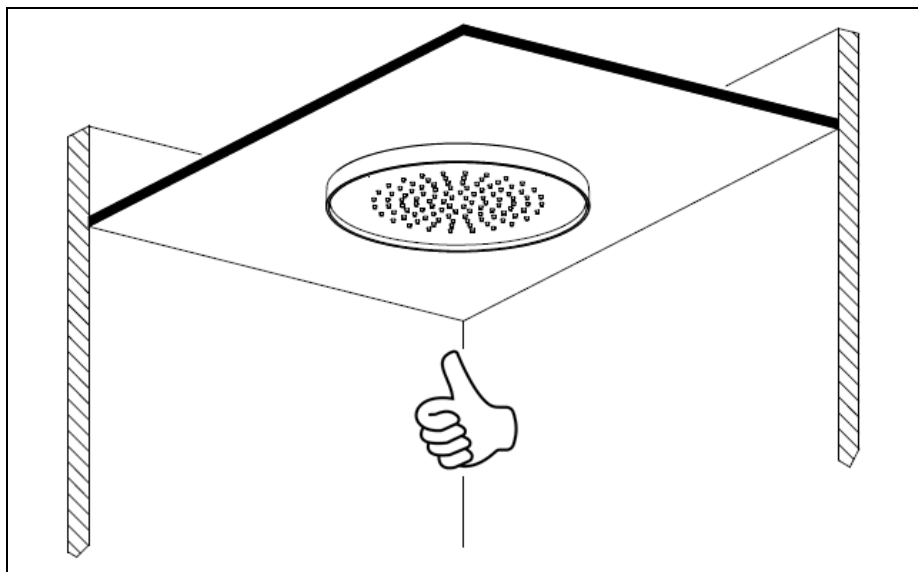
Install the cover frame by tightening the screws into the circular frame using the Allen key.



RAIN  
WATERFALL  
MIST  
WATER COLUMN

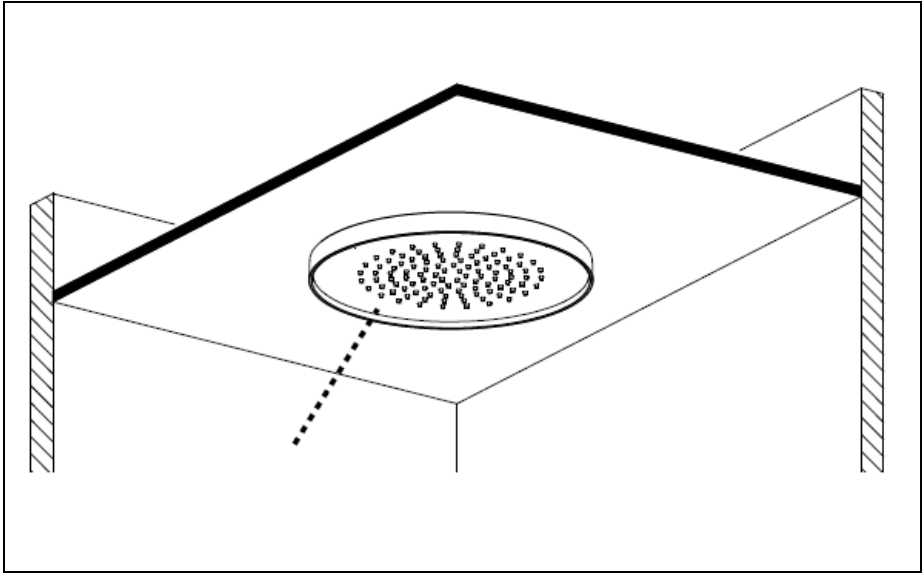


To fix the shower head, insert pins D into hook E on the frame and rotate anti-clockwise.



Installation complete, turn on the water and test..

## MAINTENANCE



### LIMESCALE

Lime-scale from the water supply can remain on the surface leaving spots and forming deposits. In order to avoid these deposits, its recommended to clean and dry the product immediately after use, it is possible to prevent lime-scale deposits on the nozzles by regularly rubbing with a damp cloth.

### CLEANING CARE GUIDE

Please follow the below recommendations to ensure the product performs to your satisfaction and gives many years of use:

We recommend cleaning with a soft damp cloth and mild soap solution.

Do not use cream cleaners, cleaners containing bleach or abrasive cleaning agents

Do not scrub or scour.

Do not use solvent based cleaners.

Some nickel finishes will very slightly darken over time.

Specific stainless steel cleaners can be used on stainless steel products.



