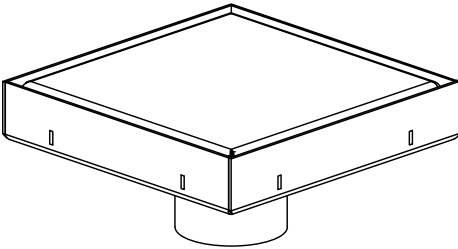


AQUAECO

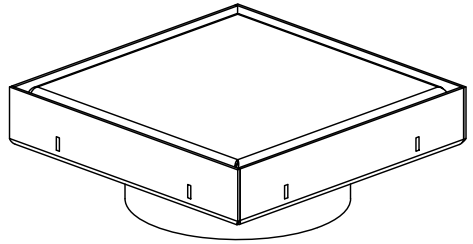
WASHROOM AND PLUMBING SOLUTIONS

Installation Guide



AQD-TG-14610A-316-BS

AQUADRAIN SQ TILE DRAIN 150 MM/102 MM
(GRADE 316)



AQD-TG-14650A-316-BS

AQUADRAIN SQ TILE DRAIN 150 MM/51 MM
(GRADE 316)

IMPORTANT PLEASE READ

All products manufactured and supplied by AQUAECO are fit for purpose as long as they are installed, used correctly, cleaned and receive regular maintenance in accordance with these instructions...

Remove all packaging and check the product for damage or missing parts before commencing with the installation.

Any alterations made to this product and its components may infringe product certification, infringe water regulations and invalidate the guarantee. The Installation must comply with all local/national water supply authority regulations/bylaws and building and plumbing regulations, therefore we strongly recommend that your product be installed by a reputable qualified trade's person.

PRODUCT LIFECYCLE

"The product LiveCyclele is the collective stages that a product goes through from its conception and design through to its ultimate disposal."

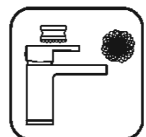
DISPOSAL GUIDANCE

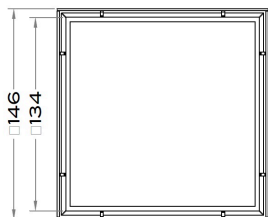
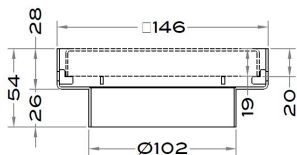
The best way to ensure your Product has a long life is to follow the Care and Maintenance guides set by the Manufacture after purchase. This document can be found at www.sanipexgroup.com. The life cycle of the product is not in correlation to the product Guarantee; the standards the products are manufactured or certified to (e.g. CE & WRAS) can exceed past the Guarantee duration. After the life cycle of the product is deemed complete by the end-user please follow the below to dispose of the items correctly...

CLEANING CARE GUIDE

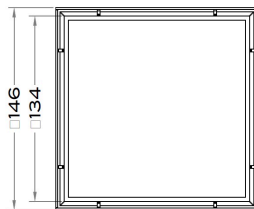
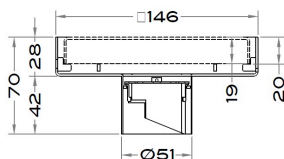
Only use a mild soap and water for cleaning.
Rinse with water to remove the mild soap solution.
We recommend the product is dried using a soft cloth after every use.

Never use any abrasive or strong cleaning products containing, bleaches, acids (hydrochloric, formic, phosphorus, chlorine or acetic), strong detergents, limescale remover, alcohol or dyes etc.
Never use abrasive cleaning pads, wire wool or microfibre cloths.
Never use cleaning equipment that may have been pre-used and contaminated with the above substances.
Never apply the cleaning product directly onto the finished surface.

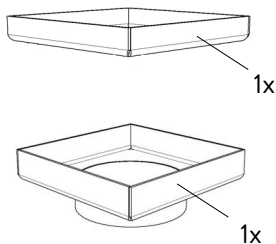




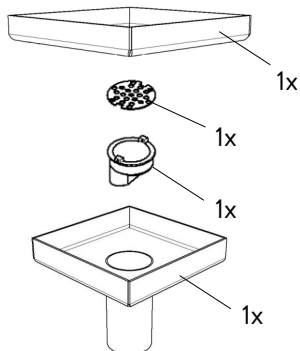
AQD-TG-14610A-316-BS)



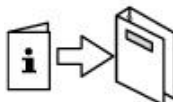
AQD-TG-14650A-316-BS



AQD-TG-14610A-316-BS)



AQD-TG-14650A-316-BS



Installation and operating instructions

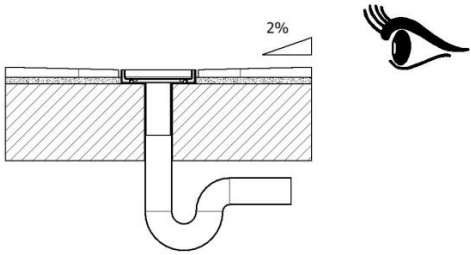
- Ensure optimal drainage: The floors should be sloped towards the drain. Recommended gradient towards the drain need to be at least 2% per linear meter. Consider the total depth of the system, tile thickness, tile adhesive layer and levelling layer. It is recommended that the flooring are laid level or 1mm higher than the top edge of the drain.
- Insert the drain to verify alignment and leveling. Recommended to maintain at least 5mm space between the floor (or tile) and the drain to allow space for the elastic sealant.
- Connect the drain to drainage pipe; ensuring that the connector (not in the scope of supply) provides sufficient sealing.
- Check the water tightness of the drain and connection to the sewer to eliminate leaks. Warning

Warning

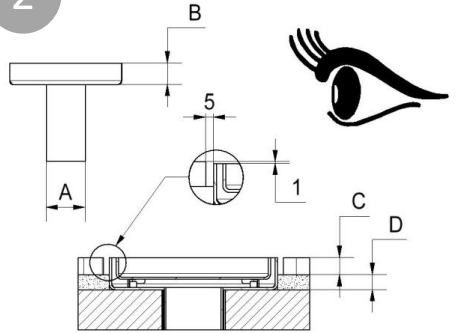
- Installation to be done as per the advice of a skilled tiler and plumber. Make sure that no debris or filth gets into the drain during assembly.

Installation Images

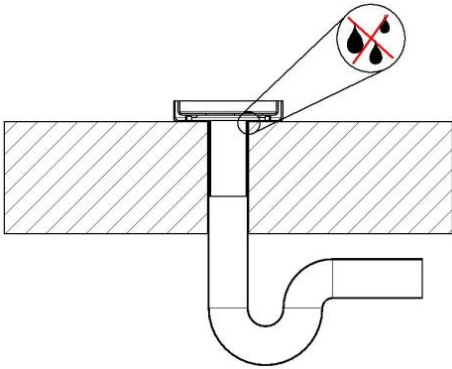
1



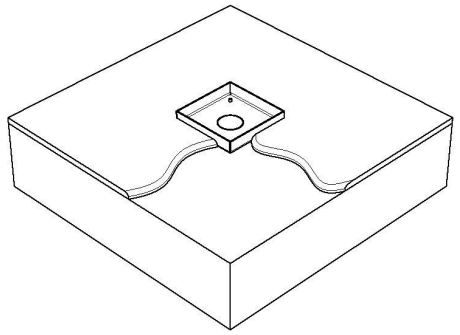
2



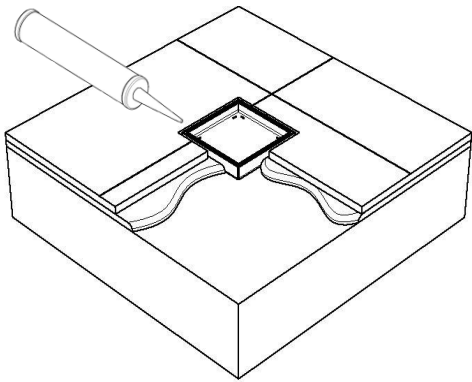
3



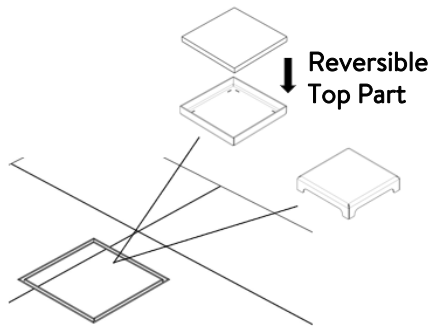
4



5



6



AQUAECO

WASHROOM AND PLUMBING SOLUTIONS
