

BAGNODESIGN

EXPERTLY CRAFTED BATHROOMS

Installation Guide



BDD-UNI-D213-XX
UNIVERSAL RUB CLEAN BIDET SPRAY KIT

A member of **SANIPEXGROUP**
www.sanipexgroup.com

IMPORTANT PLEASE READ

All products manufactured and supplied by BAGNODESIGN are fit for purpose as long as they are Installed, used correctly, cleaned and receive regular maintenance in accordance with these instructions...

Remove all packaging and check the product for damage or missing parts before commencing with the installation.

Any alterations made to this product and its components may infringe product certification, infringe water regulations and invalidate the guarantee. The Installation must comply with all local/national water supply authority regulations/bylaws and building and plumbing regulations, therefore we strongly recommend that your product be installed by a reputable qualified trade's person.

PRODUCT LIFECYCLE

"The product LiveCyclele is the collective stages that a product goes through from its conception and design through to its ultimate disposal."

DISPOSAL GUIDANCE

The best way to ensure your Product has a long life is to follow the Care and Maintenance guides set by the Manufacture after purchase. This document can be found at www.sanipexgroup.com. The life cycle of the product is not in correlation to the product Guarantee; the standards the products are manufactured or certified to (e.g. CE & WRAS) can exceed past the Guarantee duration. After the life cycle of the product is deemed complete by the end-user please follow the below to dispose of the items correctly...

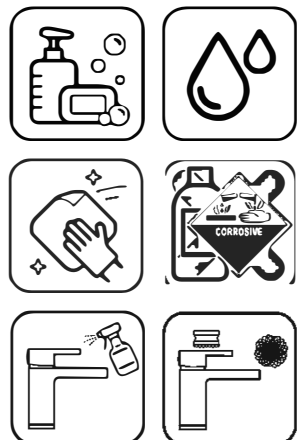
Mixers (Taps):

If the mixers are no longer accepted due to mechanical use or aesthetic style, these can be disposed of at a registered Local Authority waste recycling center where the individual components can be sorted.

CLEANING CARE GUIDE

Only use a mild soap and water for cleaning.
Rinse with water to remove the mild soap solution.
We recommend the product is dried using a soft cloth after every use.

Never use any abrasive or strong cleaning products containing, bleaches, acids (hydrochloric, formic, phosphorus, chlorine or acetic), strong detergents, limescale remover, alcohol or dyes etc.
Never use abrasive cleaning pads, wire wool or microfibre cloths.
Never use cleaning equipment that may have been pre-used and contaminated with the above substances.
Never apply the cleaning product directly onto the finished surface.



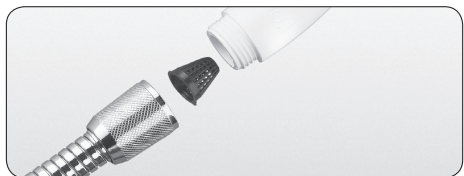
WORKING



THE HANDSHOWER OPERATES BY SIMPLY AND LIGHTLY PRESSING THE HEAD LEVER.



IT IS IMPORTANT TO ALWAYS **TURN-OFF** THE TAP ONCE YOU HAVE FINISHED USING THE HANDSHOWER!
- And than hang it again onto its bracket.



FILTER TO RETAIN WATER IMPURITIES

WORKING

Dear Customer,

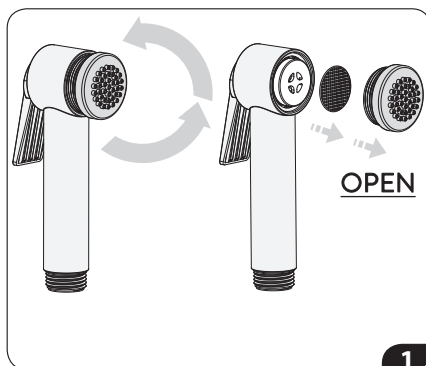
A correct use of this shut-off handspray will prevent from causing damages in your bathroom. After having opened the tap (drow 2) you can activate your shut-off handspray by pressing the head lever (drow 3). It is important to always turn-off the water tap after use (drow 4): the handspray has not be considered a permanent water stop, as it has been conceived to give a temporary water-off only.

CLEANING

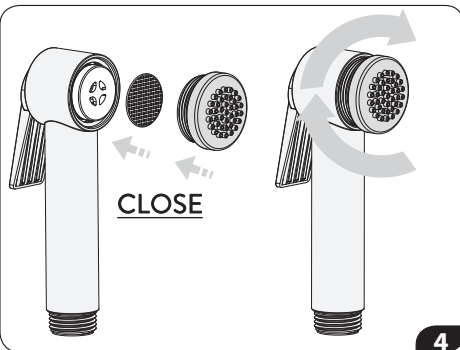
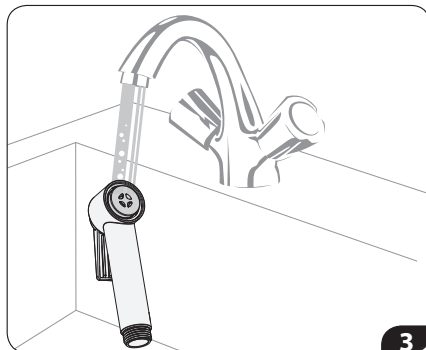
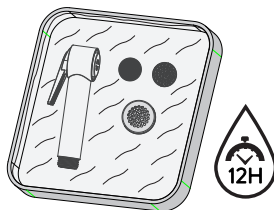
Dear Customer,

Congratulations for choosing a BAGNODESIGN product and we thank you for the trust you have given us. To keep the material's appearance as long as possible, a few guidelines must be followed. Cleaning metal parts: water contains calcium that deposits on surfaces and forms unpleasant spots. For routine cleaning, simply use a damp cloth with a little soap, rinse and dry. Calcium spots can therefore be avoided by drying after use.

Important note: Using only a soap-based detergent is recommended. Never use abrasive detergents or disinfectants or those containing alcohol, hydrochloric acid or phosphoric acid. Dear Customer, we would like to remind you that the warranty on our product's surface is not valid if the material undergoes treatment different than that suggested.



Immerse in a solution water and vinegar (50% +50%) in order to facilitate the removal of limestone and other impurities



POSSIBLE PROBLEMS BY INCORRECT USE

WHAT COULD HAPPEN IF THE TAP IS LEFT OPEN? A problem on the flexible hose-which could burst under permanent water pressure conditions may arise, thus causing damages in your bathroom. It is also important to remind that functional characteristics of the hose may vary depending on different conditions of use, i.e. water pressure and temperatures. Therefore, we strongly suggest to use the product correctly, by always turning the water tap / mixer off after use.



