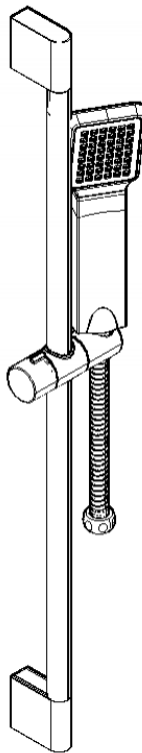


BAGNODESIGN

EXPERTLY CRAFTED BATHROOMS

Installation Guide



BDD-UNI-K515-CP
UNIVERSAL SLIDE RAIL KIT

A member of SANIPEXGROUP

IMPORTANT PLEASE READ

Remove all packaging and check the product for missing parts or damage before starting installation.

Any alterations made to this product and fittings may infringe water regulations and invalidate the guarantee.

The Installation must comply with all Local/National Water Supply Authority Regulations/Byelaws and Building and Plumbing Regulations.

We strongly recommend that your product be installed by a reputable qualified trade's person.

General Installation:

To the Installer, please read and follow this instruction carefully, as the guarantee is only valid if the product is installed as directed.

Don't rush, read the instructions first and run through them before you begin. Keep fittings together to avoid loss. Do not over tighten screws or bolts.

If the product is covered with polyethylene protective film, do not remove until installation is complete to grant maximum protection. However, remove film where any two surfaces will be in permanent contact.

Before making any outlet pipe connections, all supply pipes **MUST** be thoroughly flushed to remove debris.

The fitting of an in-line filter is recommended on the supply mixer, Failure to do this could result in damage to the components or low flow from the showerhead.

Please leave this installation manual with the end user once the product has been installed.

Product Aftercare:

We recommend cleaning with a soft damp cloth and mild soap solution.

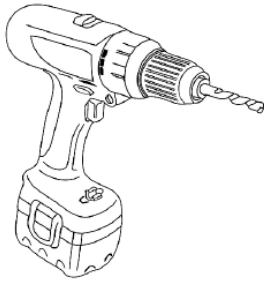
Do not use cream cleaners or cleaners containing bleach.

Do not scrub or scour.

Do not use abrasive cleaning agents.

Do not use solvent based cleaners.

TOOLS REQUIRED (Not supplied)



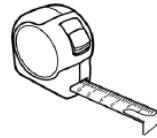
Drilling Machine



Spirit Level

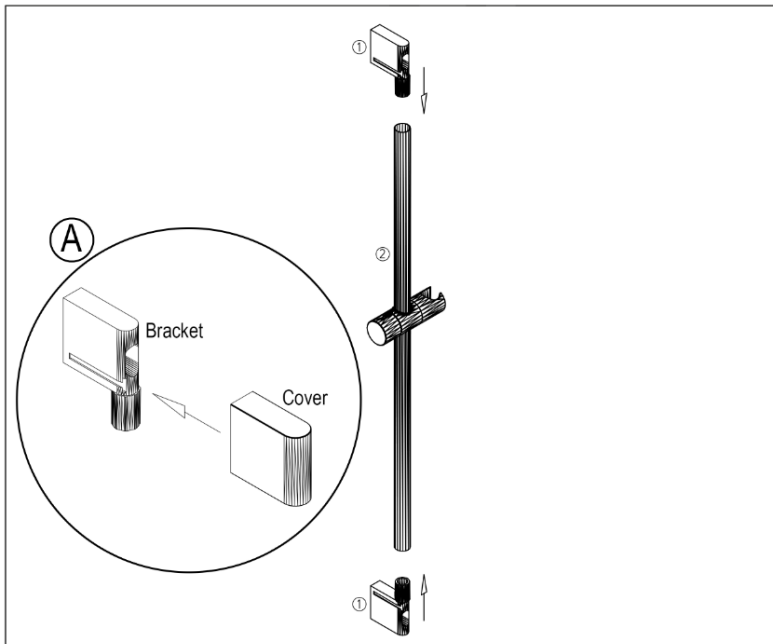


Pencil

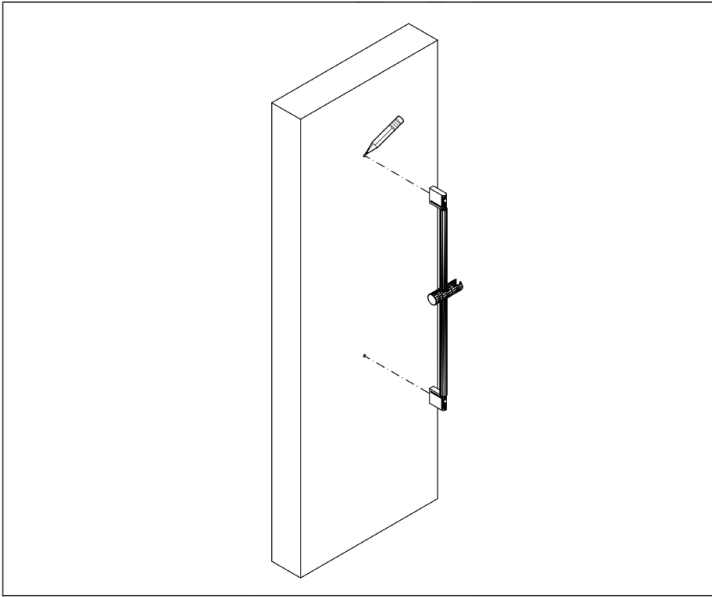


Tape Measure

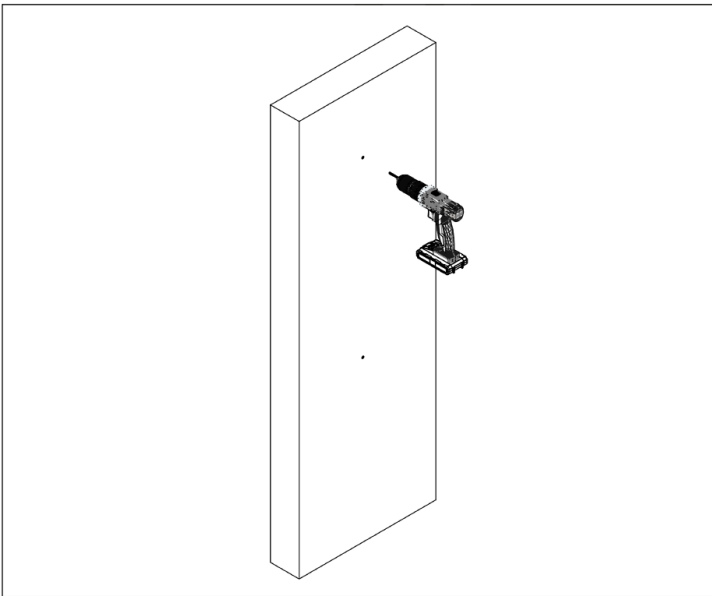
INSTALLATION



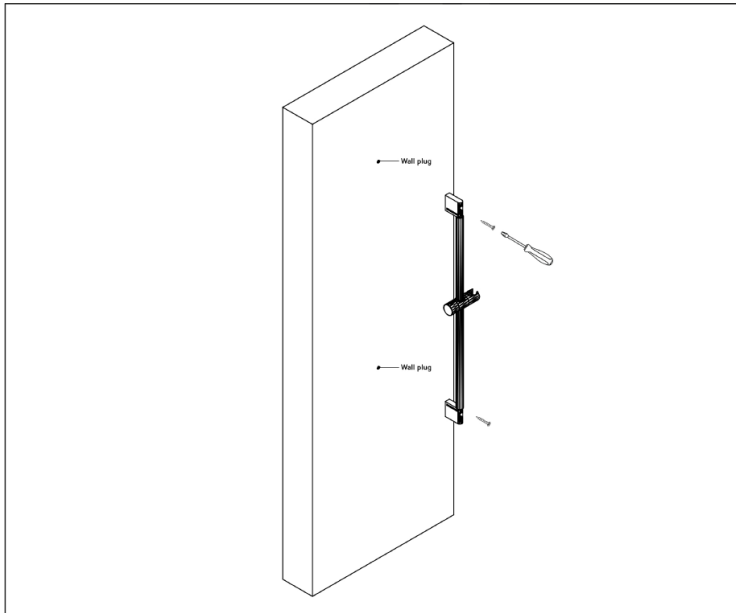
Separate the fixing brackets from the cover (A) then position the rail end brackets onto the rail.



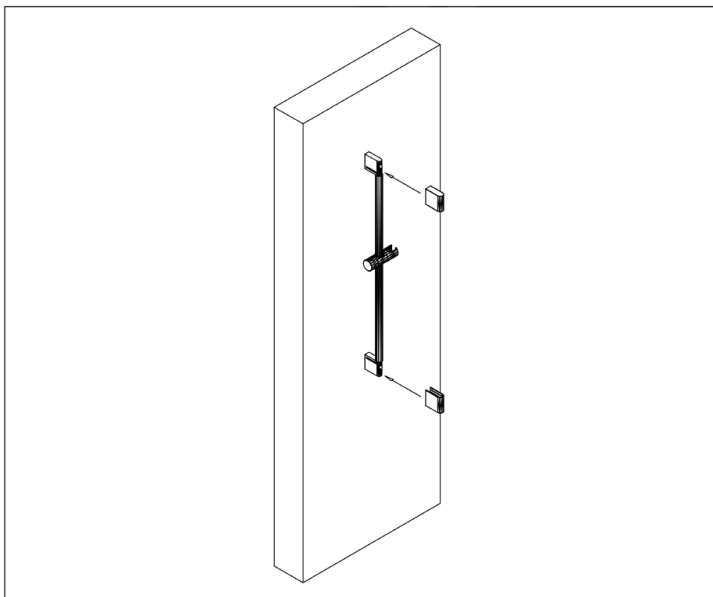
Measure the distance between the fixing holes in the brackets. Mark the dimension in the required location on the wall and check that the holes are aligned using a spirit level.



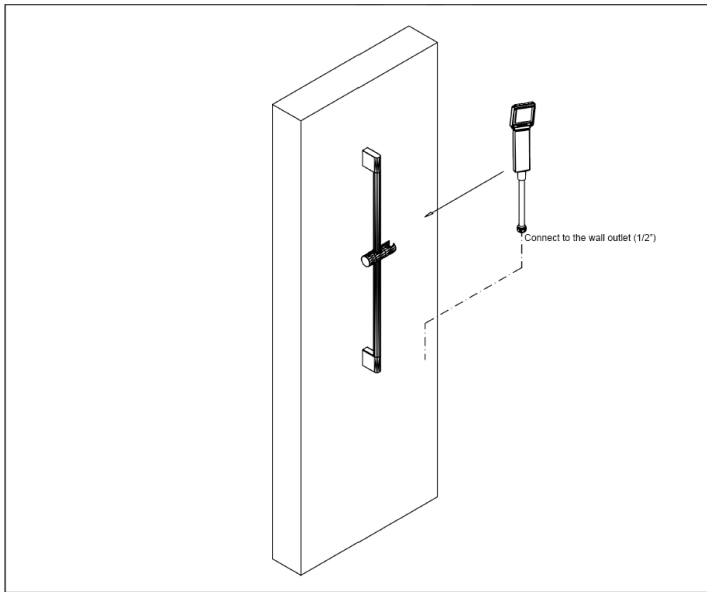
Drill the holes to the marked points on the wall with a drilling machine.



Insert the wall plug, then place the rail to the fixing points and fix the screws with a screw driver.

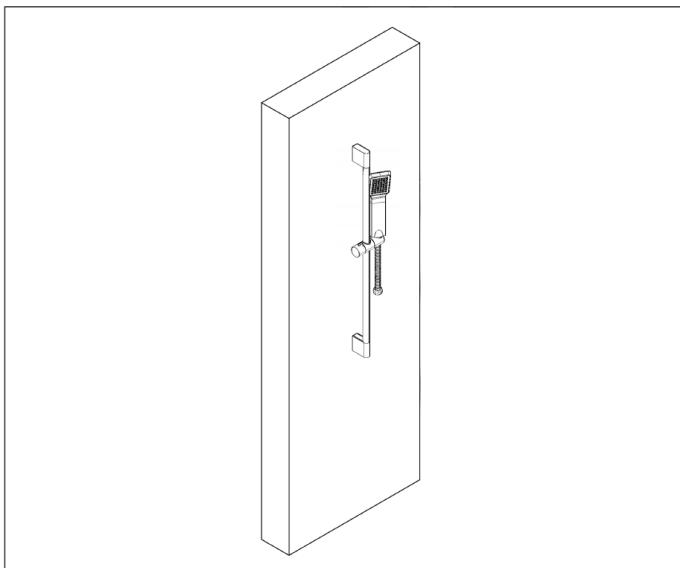


After fixing the screws, close the brackets with the cover.



Connect the hand shower hose to the wall outlet (1/2"). Open the water supplies and test for leaks on the connections.

Before making any inlet pipe connections, all supply pipes MUST be thoroughly flushed to remove debris. Failure to do this could result in damage to the cartridge and components or low flow from the hand shower.



INSTALLATION COMPLETE!!!

