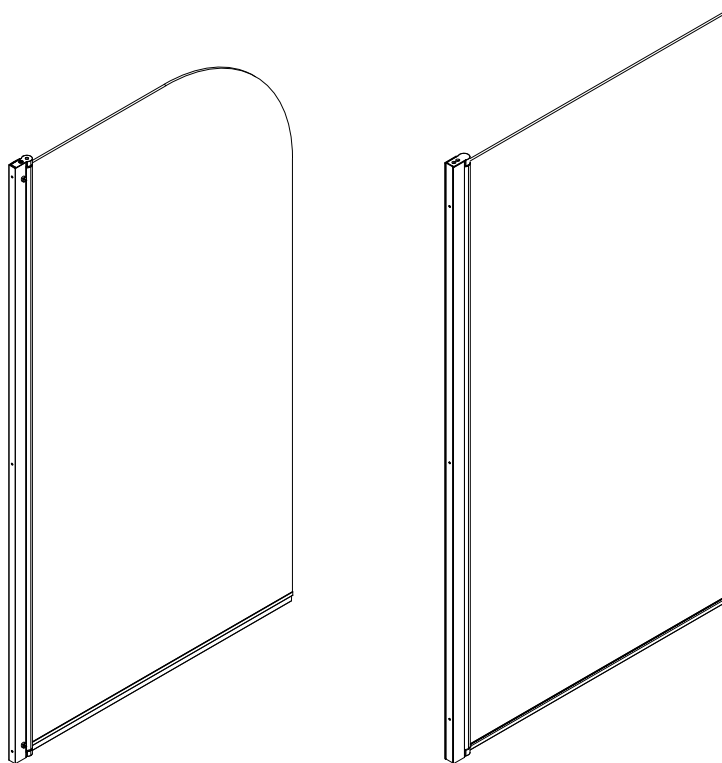


BAGNODESIGN

EXPERTLY CRAFTED BATHROOMS

Installation Guide



BDD-MLI-560-XX
M-LINE BODY JET DIA. 60MM

A member of **SANIPEXGROUP**
www.sanipexgroup.com

IMPORTANT PLEASE READ

All products manufactured and supplied by BAGNODESIGN are fit for purpose as long as they are Installed, used correctly, cleaned and receive regular maintenance in accordance with these instructions...

Remove all packaging and check the product for damage or missing parts before commencing with the installation.

Any alterations made to this product and its components may infringe product certification, infringe water regulations and invalidate the guarantee. The Installation must comply with all local/national water supply authority regulations/bylaws and building and plumbing regulations, therefore we strongly recommend that your product be installed by a reputable qualified trade's person.

PRODUCT LIFECYCLE

"The product LiveCyclele is the collective stages that a product goes through from its conception and design through to its ultimate disposal."

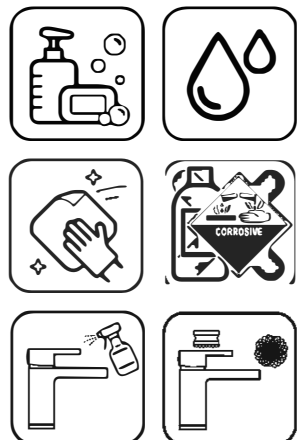
DISPOSAL GUIDANCE

The best way to ensure your Product has a long life is to follow the Care and Maintenance guides set by the Manufacture after purchase. This document can be found at www.sanipexgroup.com. The life cycle of the product is not in correlation to the product Guarantee; the standards the products are manufactured or certified to (e.g. CE & WRAS) can exceed past the Guarantee duration. After the life cycle of the product is deemed complete by the end-user please follow the below to dispose of the items correctly...

CLEANING CARE GUIDE

Only use a mild soap and water for cleaning.
Rinse with water to remove the mild soap solution.
We recommend the product is dried using a soft cloth after every use.

Never use any abrasive or strong cleaning products containing, bleaches, acids (hydrochloric, formic, phosphorus, chlorine or acetic), strong detergents, limescale remover, alcohol or dyes etc.
Never use abrasive cleaning pads, wire wool or microfibre cloths.
Never use cleaning equipment that may have been pre-used and contaminated with the above substances.
Never apply the cleaning product directly onto the finished surface.



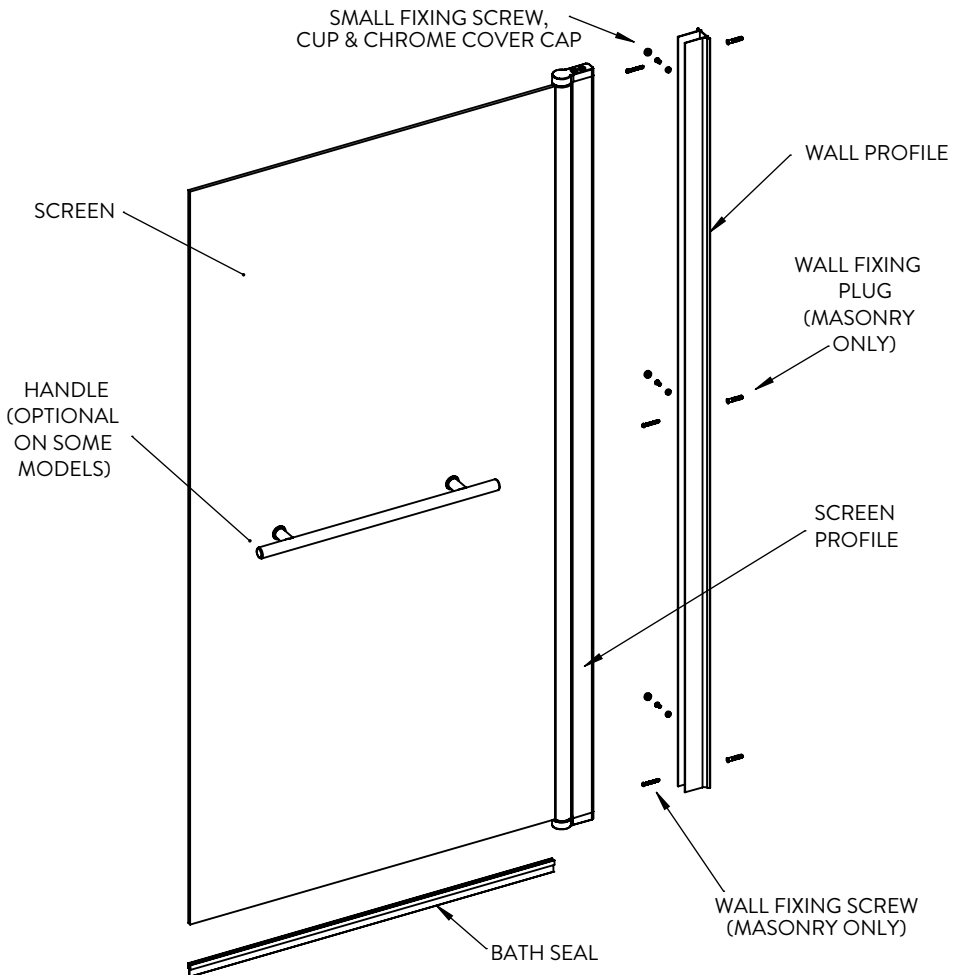
BATH SCREEN INSTALLATION

This instruction covers other models, please read all pages

Unpack the box and ensure all components are present. no refunds or refitting cost will be given if incomplete or damaged goods have been fitted. the toughened safety glass is manufactured to specification en12150-1 and should be handled with care as impacts can damage the glass and cause it to fail at a later date.

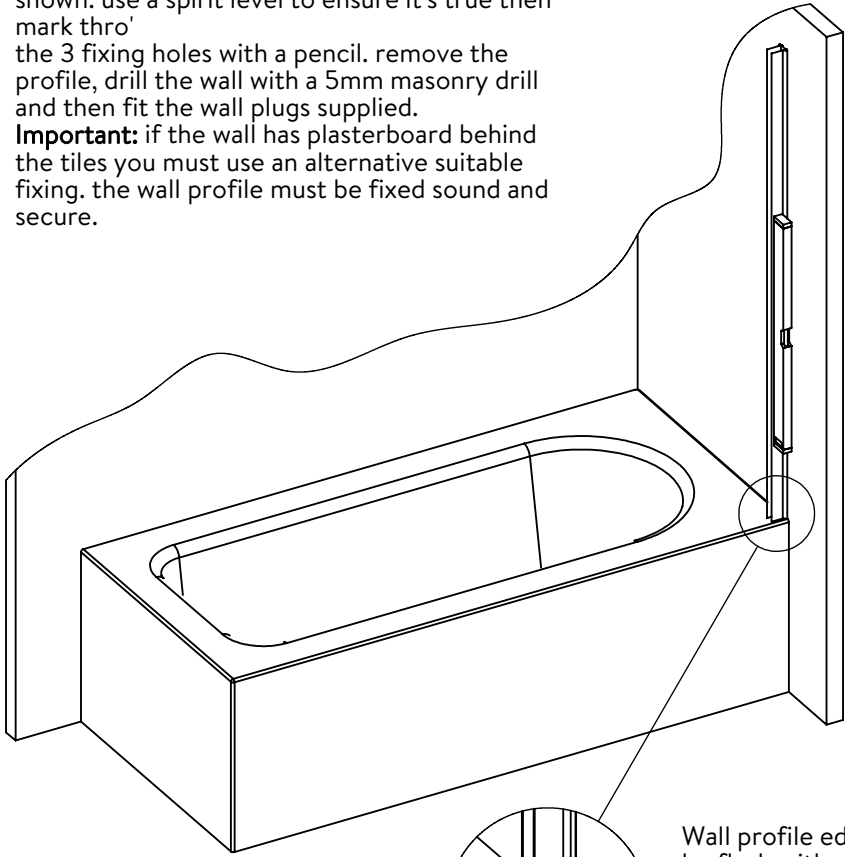
Tools Required

power drill - pencil - 5mm masonry drill bit - 3mm drill bit -
cross head screwdriver - sanitary grade silicone sealant - spirit level.



1. Place the wall profile on the bath in the position shown. use a spirit level to ensure it's true then mark thro' the 3 fixing holes with a pencil. remove the profile, drill the wall with a 5mm masonry drill and then fit the wall plugs supplied.

Important: if the wall has plasterboard behind the tiles you must use an alternative suitable fixing. the wall profile must be fixed sound and secure.

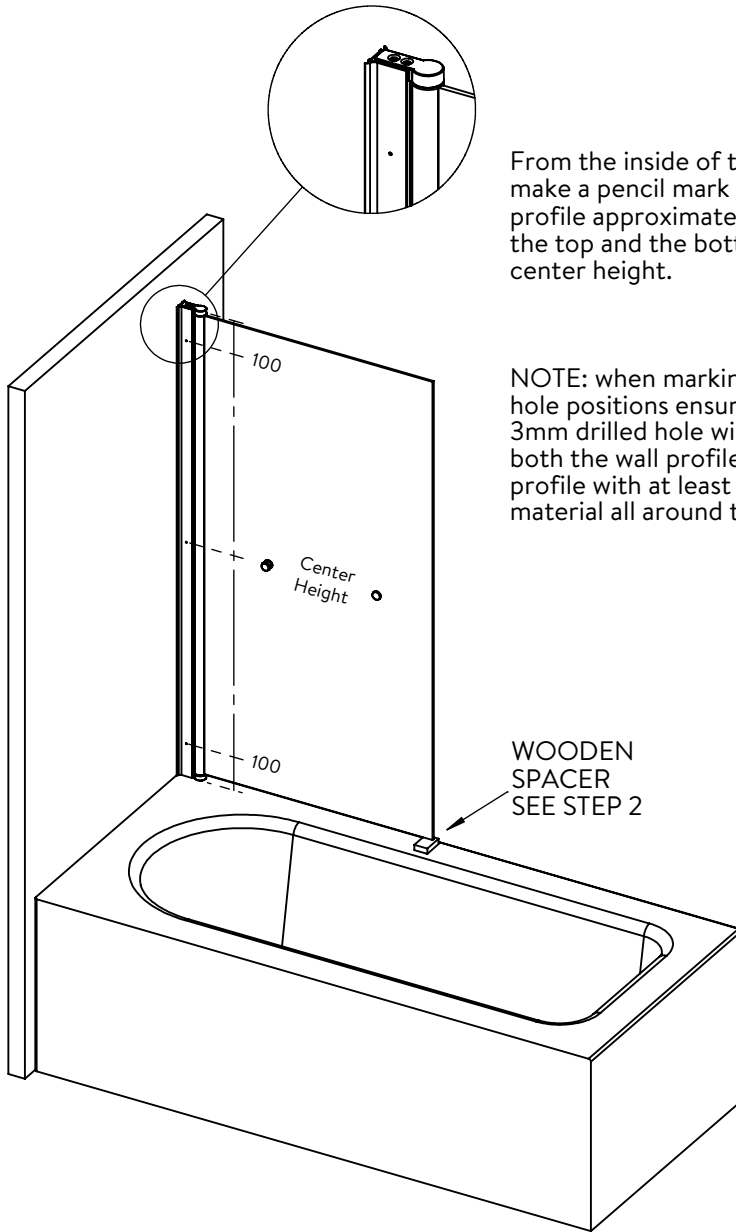


Wall profile edge to be flush with radius on bath edge

NOTE: If in doubt, extra fixings can be drilled in the rear face of the wall profile to guarantee it is secured properly.

2. Now slide the screen assembly into the wall profile. The bottom edge of the glass panel must be parallel to the bath top face. you can make a wooden spacer (18mm) to fit under the glass so there is an equal gap all the way long. the spacer will support the screen parallel whilst you fix it in place and then removed.

3.



From the inside of the bath screen make a pencil mark on the wall profile approximately 100mm from the top and the bottom and one at center height.

NOTE: when marking the fixing hole positions ensure that the 3mm drilled hole will go through both the wall profile and screen profile with at least 3mm of material all around the hole.

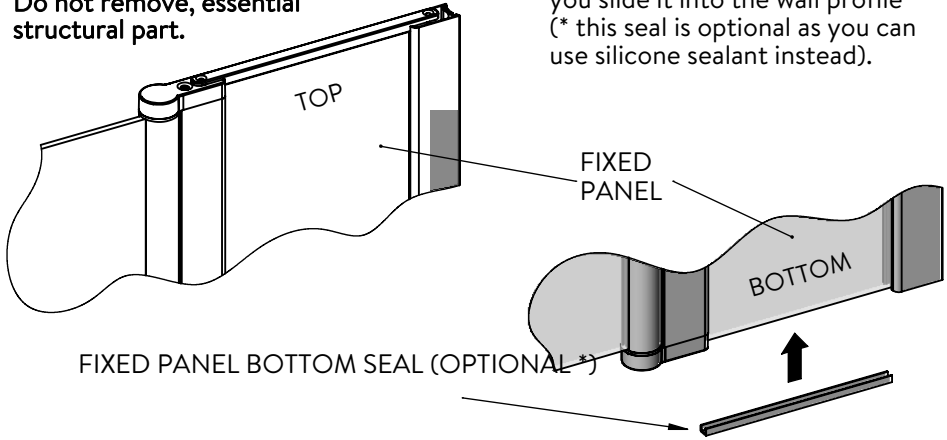
WOODEN SPACER
SEE STEP 2

Fit the small screws, cup washer and chrome cap in 3 positions.
The screen is now fixed in place

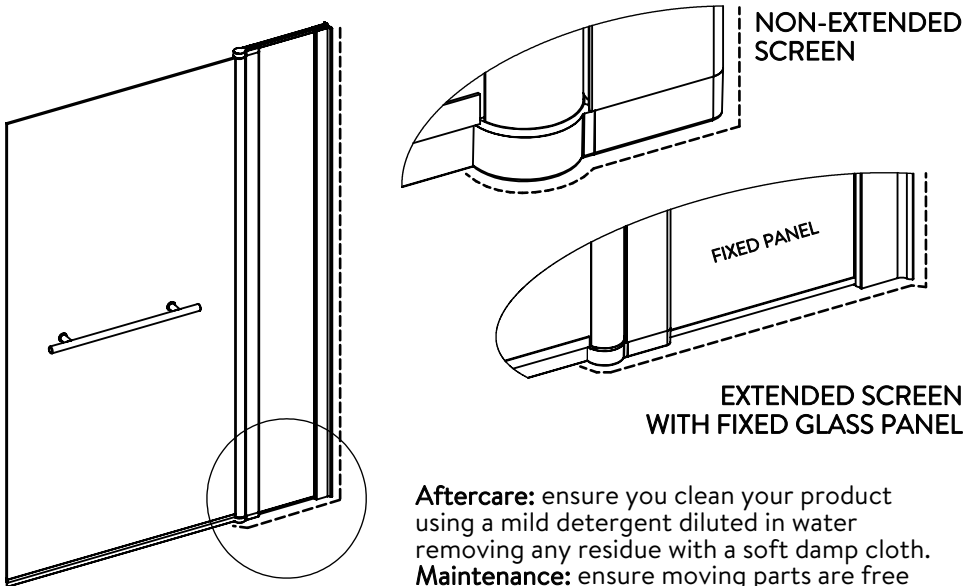
EXTRA INFORMATION IF FITTING A SCREEN WITH A FIXED GLASS PANEL

Chrome bracing bar to the top.
Do not remove, essential structural part.

fit this screen in exactly the same way as steps 1,2 &3 but fit the fixed panel bottom seal in place before you slide it into the wall profile (* this seal is optional as you can use silicone sealant instead).



4. Fit screen bath seal to glass panel and silicone as below - - - - allow 24 hours to dry before using.



Aftercare: ensure you clean your product using a mild detergent diluted in water removing any residue with a soft damp cloth.
Maintenance: ensure moving parts are free from debris or soap build up.

