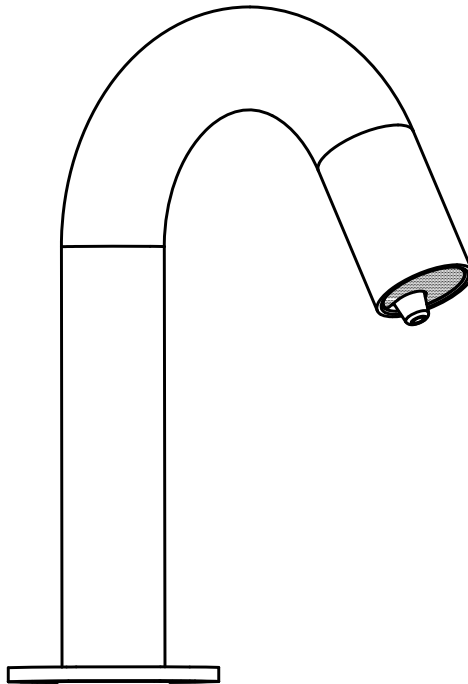


AQUAECO

WASHROOM AND PLUMBING SOLUTIONS

Installation Guide



AQE-ECO-252-XX

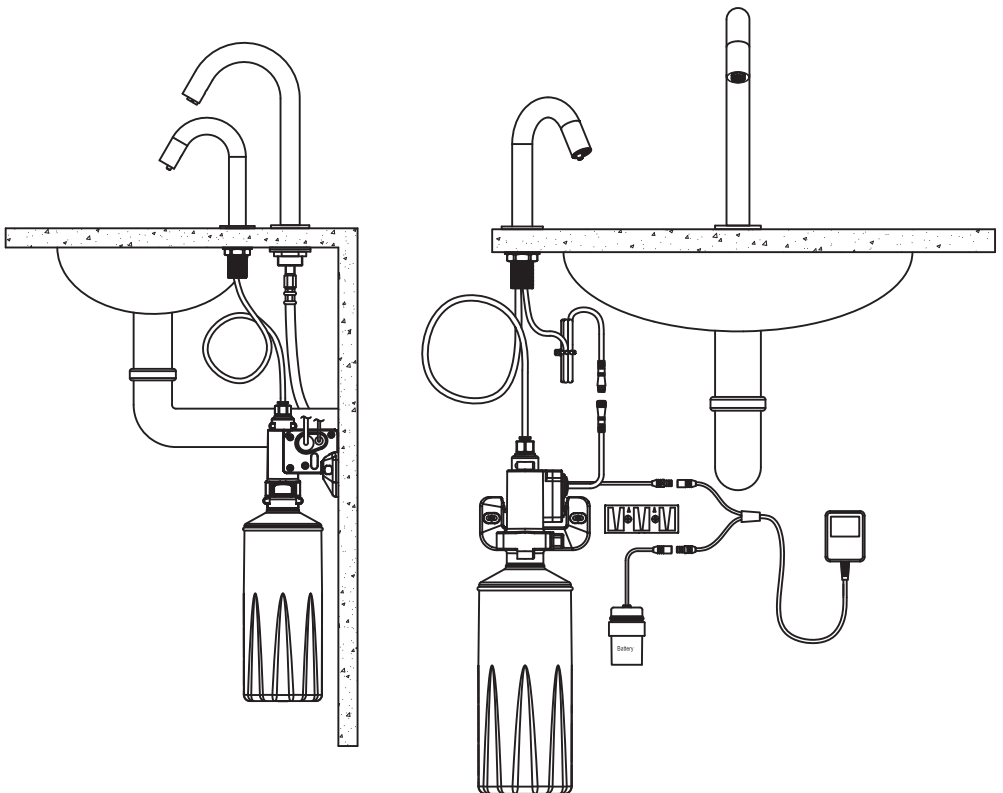
AQUAECO TOUCHLESS SOAP DISPENSER

A member of SANIPEXGROUP

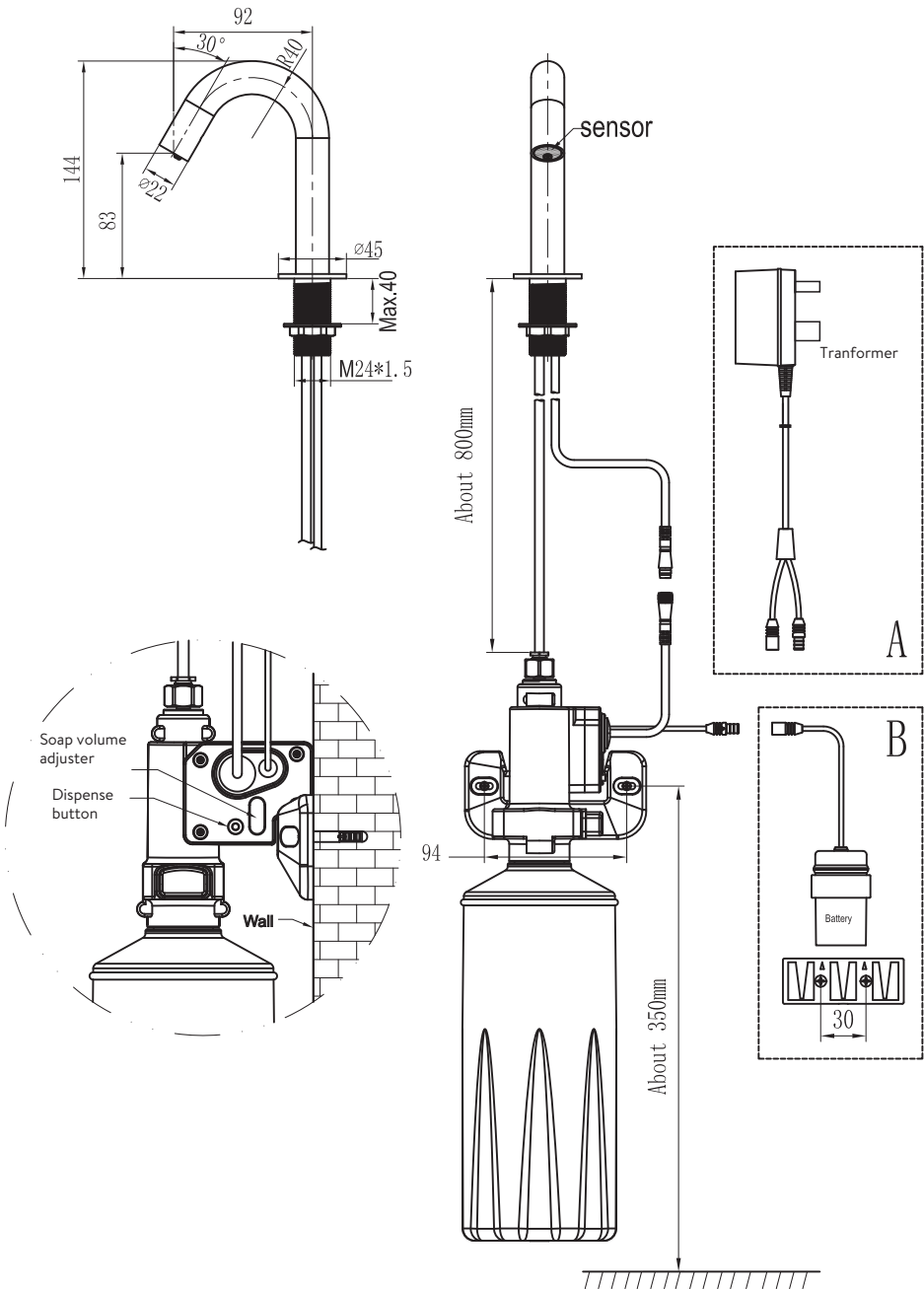
Specifications:

Model No.	AQE-ECO-252-XX
Material Power	Brass
supply Bottle	AC:220V DC:1.5V 4pcs
capacity	1.6-2L
Sensing range	Normal temperature
Ambient temp.	5-20cm
Viscosity Soap	100-3500cp(mpA-s)
volume	≤2mL/times(four gear)

Installation:



Roughing in:

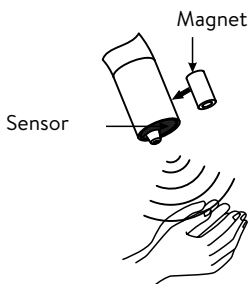
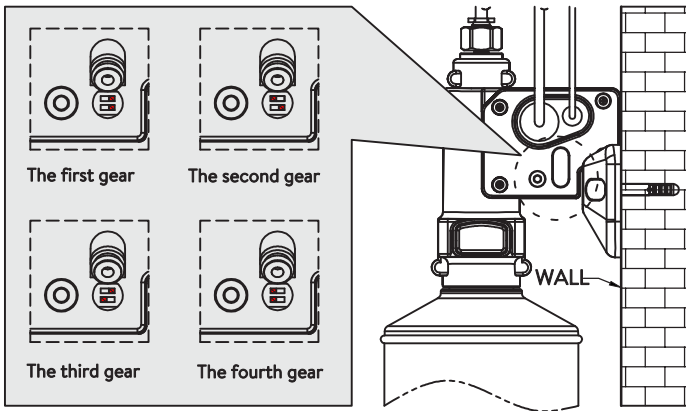


Installation steps:

- 1, Fill liquid soap into bottle capacity.
- 2, Press and hold the dispense button on the control box, release till the soap is dispensed.
- 3, Start the system by passing your hand in the sensor range, soap will dispense automatically.

Note: It has four soap dispense volume adjustment: 1:

- Low volume
- 2, Normal volume
- 3, Medium volume
- 4, High volume



Approach the magnet to the sensor at the top of the faucet, the led light will flash continuously, then place your hand/object at the appropriate position as reference, take away your hand/object when the led light is off. The sensor adjustment is finished.

Caution:

- 1, Ensure soap is free of particles, and filling cup is clean.
- 2, Clean soap tank with water periodically.
- 3, Refill soap when soap level is approximately 20mm.
- 4, Replace batteries when red light in sensor window blinks.
- 5, Use soft and moist cloth to clean, avoid spraying water directly at the system.

