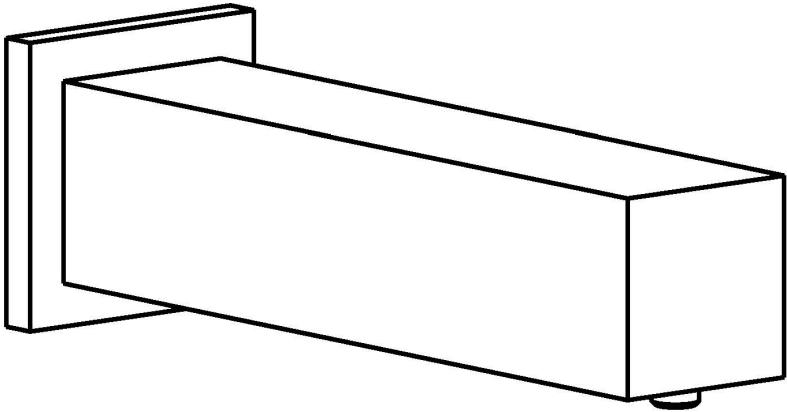


AQUAECO

WASHROOM AND PLUMBING SOLUTIONS

Installation Guide



AQE-ECO-253-XX

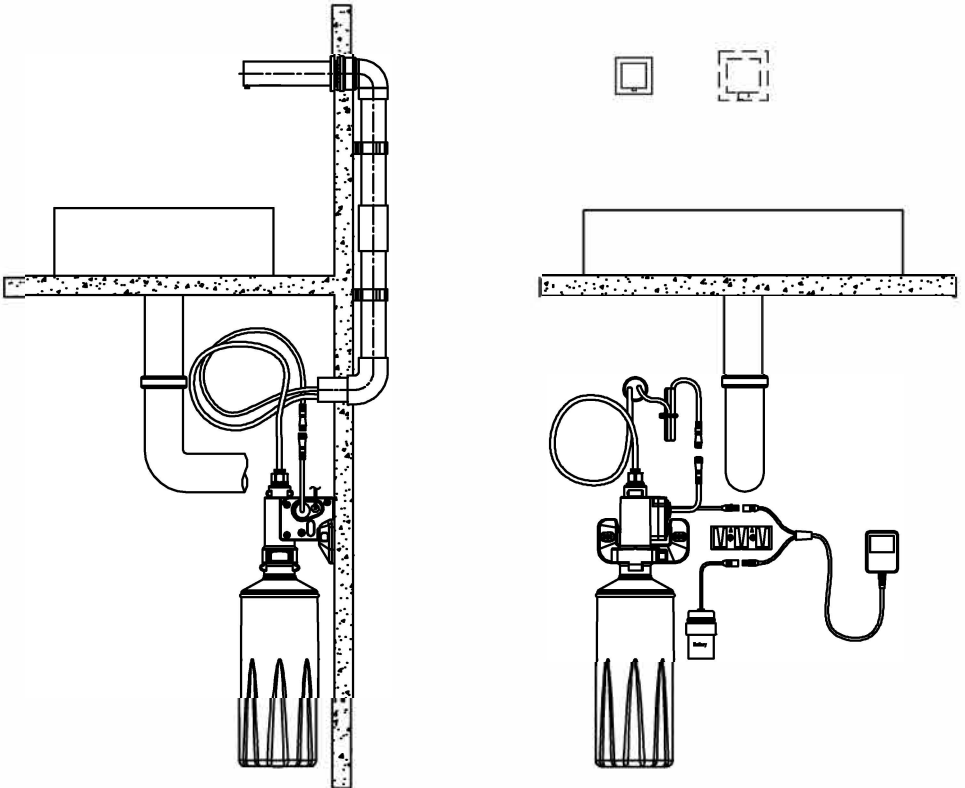
AQUAECO SQUARE WALL TOUCHLESS SOAP DISPENSER

A member of SANIPEXGROUP

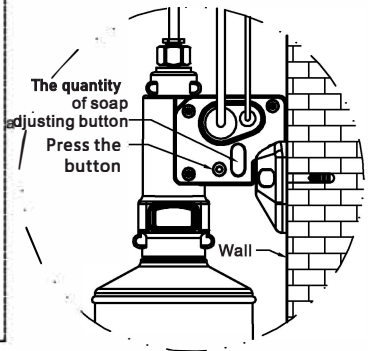
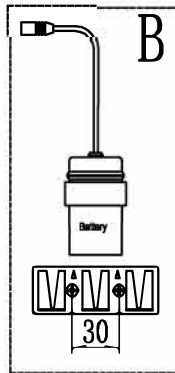
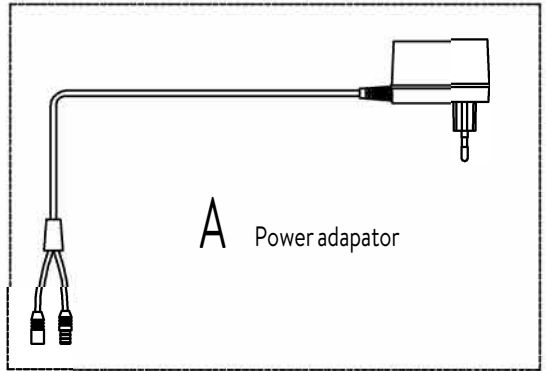
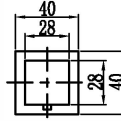
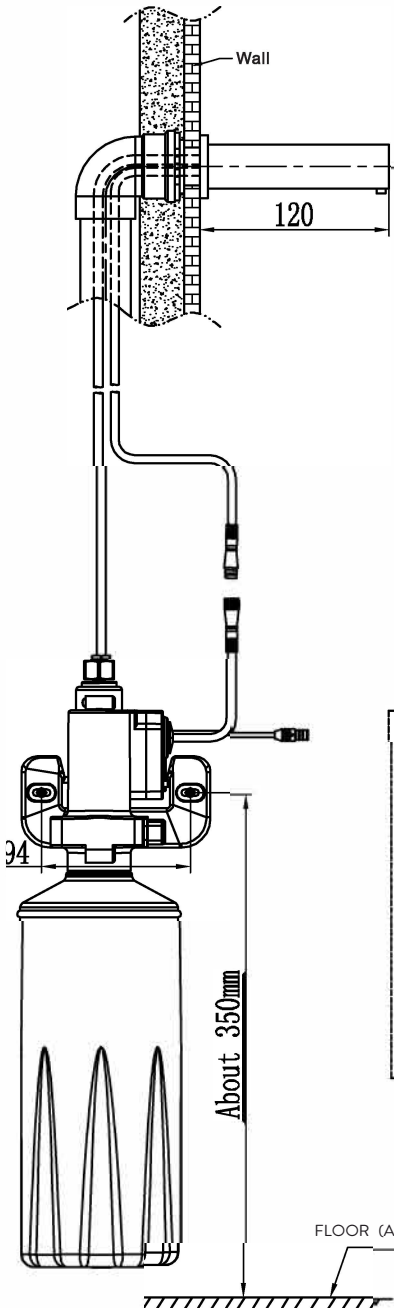
PRODUCT PARAMETER

Item No	AQE-ECO-253-XX
Material	Brass
Operating voltage	AC:220V DC:1.5V 4pcs
Liquid measure	1.6-2L
Ambient temperature	Normal temperature
Induction distance	0-Bcm
Soap liquid viscosity	100-3500cp(mpA · s)
The quantity of liquid	≤2ml/times(four gear)

THE PRODUCT INSTALLATION DIAGRAM



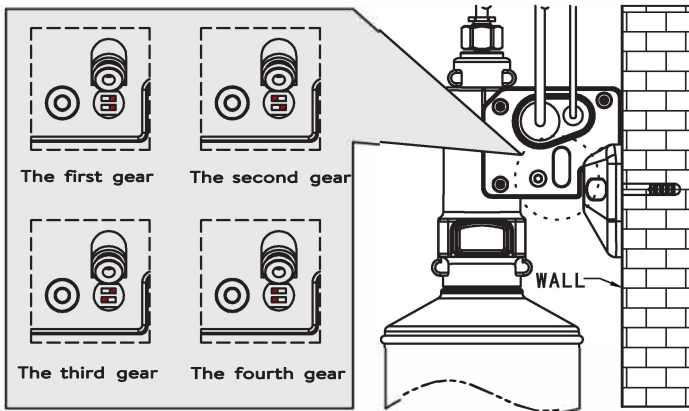
PRODUCT STRUCTURE SIZE CHART



INSTALLATION

- 1, Used for the first time, please be sure to add full soap in the soap bottle 2, Soap liquid filled, please press the button until the soap dispenser has soap out, and the loosen the button
- 3, Use the hand approach the spout of soap dispenser, the machine can be normally out the soap, and the finish the installation and test

Following shown, the soap dispenser have four adjustable gear to adjust the quantity of soap dispenser, the first gear the biggest soap, the fourth gear the least, the default position in the first gear, please don't adjust the necessary



ANNOUNCEMENTS

1. Please don't let the dust fall into soap liquid device, it may be blocked access point, if you find that the container is dirty or have impurities, please replace soap liquid
2. Always use soap liquid device, if long time don't use the machine, soap is likely to be Solidification
3. If the soap liquid left 1 cm, please add the soap liquid
4. When the battery is power off, please timely change new battery
5. Clean the soap dispenser
 - (1) Please pour out the soap liquid inside when not in use, use cloth wipe up and remove the batter
 - (2) Please do not put the soap dispenser into the water cleaning, might damage the circuit board
 - (3) Can use wet cloth clean soap liquid surface and dry towel, clean battery box can only with a dry towel
 - (4) Please do not use highly corrosive chemical solvent cleaning products, in order to avoid the surface damage of the appearance and shape

AQUAECO

WASHROOM AND PLUMBING SOLUTIONS

Oakwell Way, Birstall
Leeds, England WF9 17LU

A member of SANIPEXGROUP