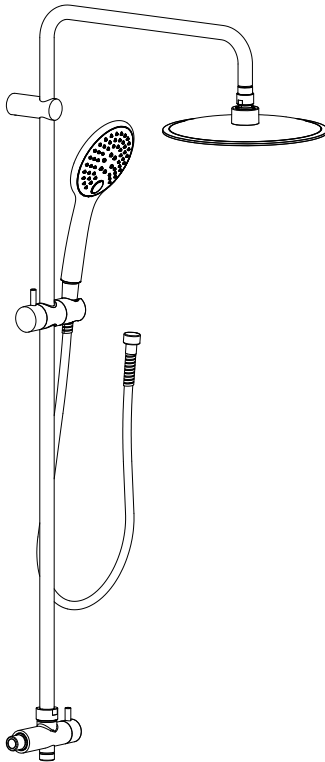


# AQUAECO

WASHROOM AND PLUMBING SOLUTIONS

---

## Installation Guide



**AQE-ECO-512R-XX**

DIPLOMAT EXPOSED ROUND SHOWER COLUMN SET

A member of SANIPEXGROUP  
[www.sanipexgroup.com](http://www.sanipexgroup.com)

## IMPORTANT PLEASE READ

All products manufactured and supplied by AQUAECO are fit for purpose as long as they are Installed, used correctly, cleaned and receive regular maintenance in accordance with these instructions...

Remove all packaging and check the product for damage or missing parts before commencing with the installation.

Any alterations made to this product and its components may infringe product certification, infringe water regulations and invalidate the guarantee. The Installation must comply with all local/national water supply authority regulations/bylaws and building and plumbing regulations, therefore we strongly recommend that your product be installed by a reputable qualified trade's person.

## PRODUCT LIFECYCLE

*"The product LiveCyclele is the collective stages that a product goes through from its conception and design through to its ultimate disposal."*

## DISPOSAL GUIDANCE

The best way to ensure your Product has a long life is to follow the Care and Maintenance guides set by the Manufacture after purchase. This document can be found at [www.sanipexgroup.com](http://www.sanipexgroup.com).

The life cycle of the product is not in correlation to the product Guarantee; the standards the products are manufactured or certified to (e.g. CE & WRAS) can exceed past the Guarantee duration. After the life cycle of the product is deemed complete by the end-user please follow the below to dispose of the items correctly...

## CLEANING CARE GUIDE

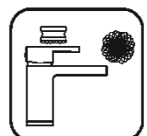
Only use a mild soap and water for cleaning.  
Rinse with water to remove the mild soap solution.  
We recommend the product is dried using a soft cloth after every use.

**Never** use any abrasive or strong cleaning products containing, bleaches, acids (hydrochloric, formic, phosphorus, chlorine or acetic), strong detergents, limescale remover, alcohol or dyes etc.

**Never** use abrasive cleaning pads, wire wool or microfibre cloths.

**Never** use cleaning equipment that may have been pre-used and contaminated with the above substances.

**Never** apply the cleaning product directly onto the finished surface.



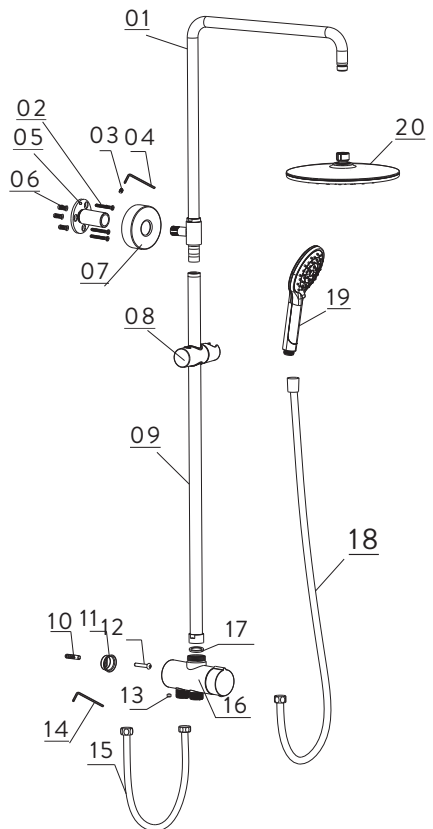
# Contents

| Contents                               | PAGE |
|--|------|
| Accessories List.....                  | 1    |
| Product Installation Instructions..... | 2-4  |
| Usage method.....                      | 4    |
| Clean and care.....                    | 4    |

## Accessories List

When you unpack the product, please first count the spare parts carefully according to the below table and the figure. If there is a shortage, please contact the local distributor or our company immediately.

| No. | Description                  | QTY |
|-----|------------------------------|-----|
| 01  | Seven-shaped shower pipe     | 1   |
| 02  | Self-tapping screw           | 3   |
| 03  | M5 screw                     | 1   |
| 04  | H2.5 Allen Key               | 1   |
| 05  | Fixed seat                   | 1   |
| 06  | Expansion sleeve             | 3   |
| 07  | Decorative cup               | 1   |
| 08  | Shower holder                | 1   |
| 09  | Straight Pipe                | 1   |
| 10  | Multi-tooth expansion sleeve | 1   |
| 11  | Fixed ring                   | 1   |
| 12  | Self-tapping screw           | 1   |
| 13  | M6 top wire                  | 1   |
| 14  | H3 Allen Key                 | 1   |
| 15  | 500mm shower hose            | 1   |
| 16  | Diverter                     | 1   |
| 17  | Gasket                       | 1   |
| 18  | 1500mm shower hose           | 1   |
| 19  | Hand shower                  | 1   |
| 20  | Shower head                  | 1   |



★ Note: when checking accessories: M6 screw (13) and fixed ring (11) are installed in its mounting hole; gasket (16) is assembled on diverter (13). Before installation, it should be removed and then operated according to the following instructions.

#### HELPFUL TOOLS



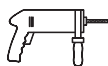
SAFETY  
GLASSES



ADJUSTABLE  
WRENCH



PENCIL



DRILL



SCREW  
DRIVER



HAMMER



BAND  
TAPE

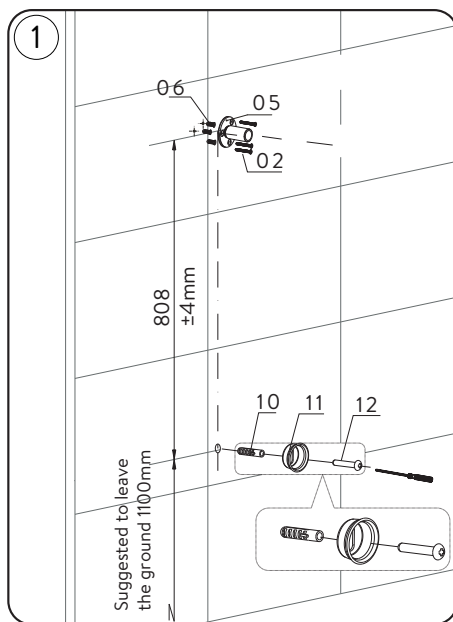
### Product Installation Instructions

Warning: When drilling any holes in the wall, make sure there are no hidden pipes and cables where you are going to drill!

Statement: The Company reserves the right to change the product structure without notice.

Installation Notes:

1. This product is passed the factory inspection and strict quality testing. Do not disassemble and assemble by yourself!
2. Before the installation, be sure to thoroughly flush the water supply pipes, so as not to obstruct the faucet by impurities in the waterway and affect the effluent effect of the product.
3. The product working pressure is 0.05 MPa-0.6 MPa. The recommended working pressure is 0.2 MPa-0.5 MPa.
4. When drilling and installing, pay attention to safety.



Install the fixed seat:

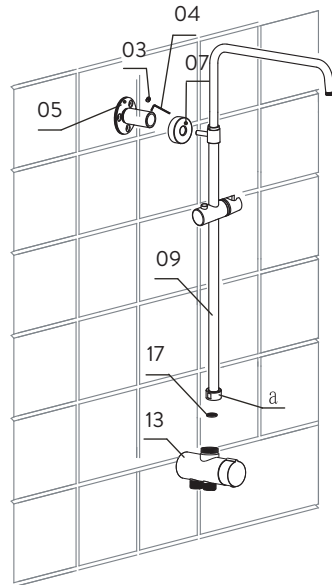
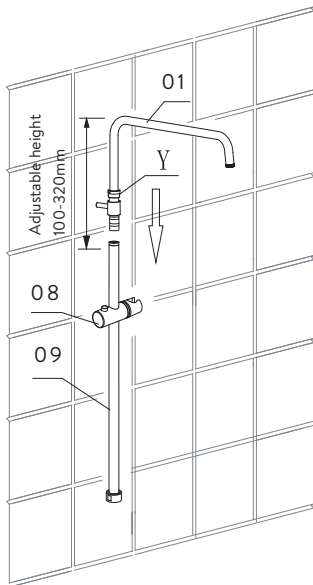
1. Four holes which 35mm depth were drilled on the wall with a 6 mm drilling bit;
2. The expansion sleeve (06) is inserted into the above holes, and the fixed seat (05) is locked on the wall with a self-tapping screw (02).
3. The Multi-tooth expansion sleeve (10) is inserted into the above holes, and the fixed ring (11) is locked on the wall with a self-tapping screw (12).

**Note:** The concave surface of fixed ring facing outward, the flat surface against the wall.

## Product Installation Instructions

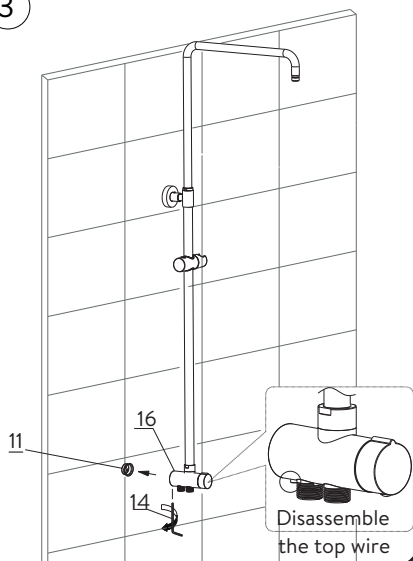
### Installation of shower pipe and diverter

2



1. Insert the shower holder (08) on the straight pipe (09), then assemble the shower pipe (01) into the straight pipe (09), adjust the height according to the demand, and tighten the nut (Y) to lock.
2. Insert the decoration cup (07) into the rod head of the fixed seat (05), and against the wall
3. Insert the gasket (17) into the nut (a), connect the shower pipe (09) with the diverter (16), and tighten the nut (a).
4. Put the shower pipe (09) into the rod head of the fixed seat (05), adjust the distance and tighten the M5 screw (03) with the H2.5 alley key (04).

3



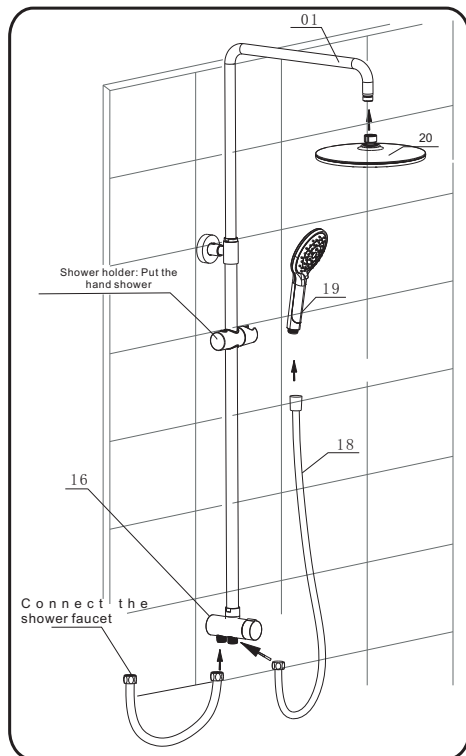
5. Sleeve the diverter (16) into the fixed ring (11), against to the wall, and then lock the top wire with the H3 alley key (14).

### Usage method

#### Install the shower head, hand shower and shower hose

1. Connect the shower head (20) with the seven-shaped shower pipe (01);
2. Connect 1500mm shower hose (18) to diverter (16) and hand shower (19);
3. Connect diverter (16) and shower faucet with 500mm hose.

- ★ 1. The hexagonal end of 1500mm hose is connected with diverter, and the taper end is connected with hand shower.
- 2. Shower faucets need to be purchased separately.



After the installation, please check whether the joints are tightly connected, whether the pipe is leaking, and whether the overall installation is firm. Make sure that all parts are in good condition and then release water for trial use. Check whether the joint is leaking or not.

**Usage method:**

1. Turn the handle of the diverter counterclockwise for the shower head function.
2. Turn the handle of the diverter clockwise for the hand shower function.

**Warning:** When you use this product for shower, please turn on the cold water first and then turn on the hot water to avoid scalding!

