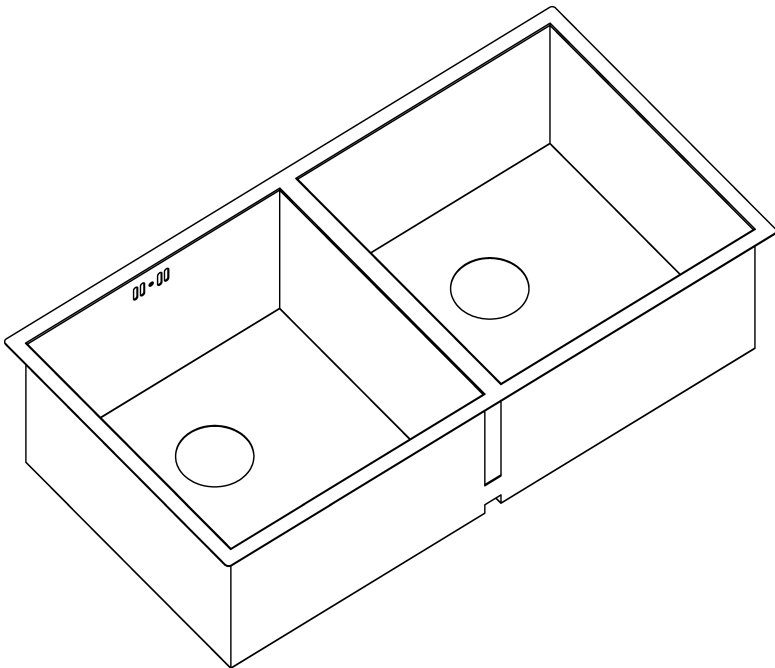


AQUAECO

WASHROOM AND PLUMBING SOLUTIONS

Installation Guide



AQE-ECO-8042-U-SS

AQUAECO UNDERMOUNT DOUBLE BOWL SINK 800X420 SS

A member of SANIPEXGROUP

Important Information

- Due to the undercounter installation, it is recommended that the installation be performed by trained and experienced installers.
- **Risk of personal injury! Stainless steel edges are sharp and can cause severe cuts. Wear gloves when handling the sink.**
- Wear eye protection during installation process.
- Observe all local plumbing and building codes when installing the sink.
- This is a general installation guideline, actual installation may vary. Consult a professional if necessary.
- This installation guide is subject to change without notice, please contact us to request the most updated version of this installation guide.
- Product drawings in this installation guide is for illustration purpose only. Actual product may vary depends on model.

Before You Begin

- Unpack and inspect the sink from the package for shipping damage and make sure all parts are included with the sink.
- Keep the sink in its package until you are ready to install.
- Read and understand this installation guide completely.
- Make sure the installation site is clean and free of dust and debris.

Parts

1. Stainless Steel Sink
2. Mounting Brackets
3. Installation Guide

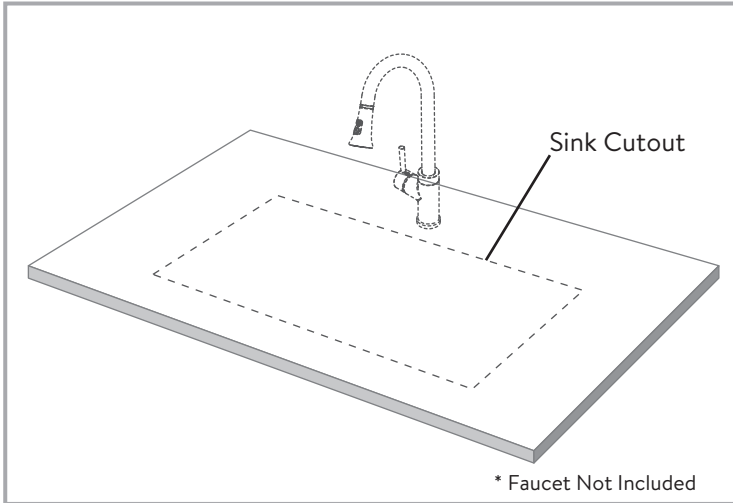
Tools

Tape Measure	Adjustable Wrench
Pencil / Marker	Silicon Sealant
Safety Glasses (Eye Protection)	Gloves
Screwdrivers	Drill

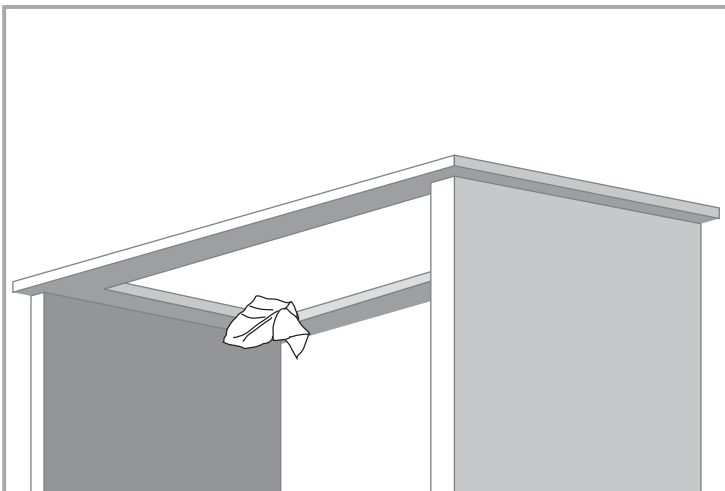
NOTICE! It is highly recommended the sink to be installed by a professional installer.

Installation

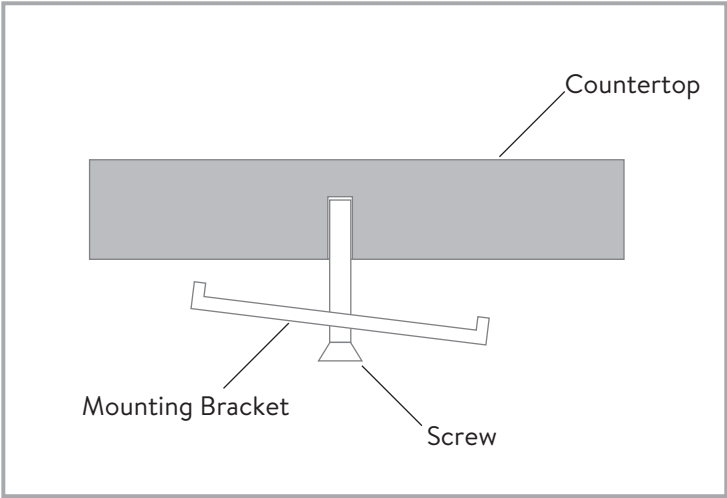
1. Provide your counter-top fabricator with the included cut-out template to determine the size of the opening and the placement of the sink. When determining anchor locations, allow space for faucet clearance.



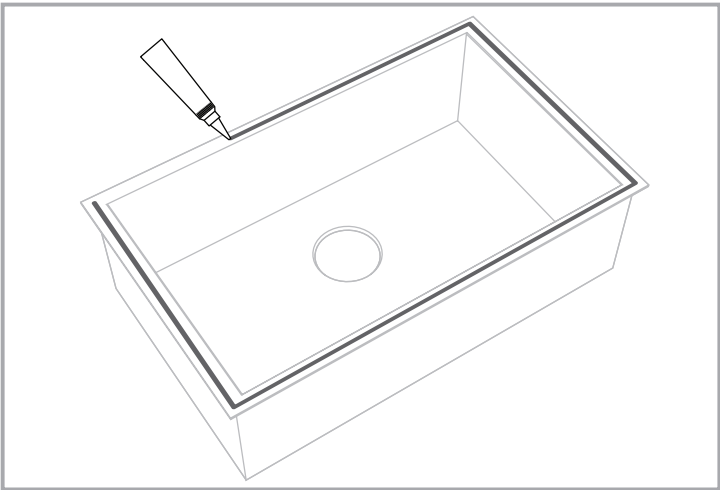
2. Clean the top and underside of the counter top and the rim of the sink before installation.



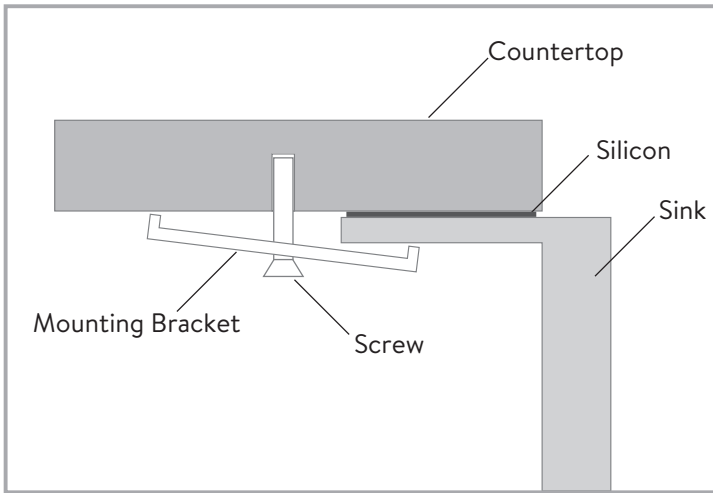
3. Loosely attach the mounting brackets to the underside of the countertop.



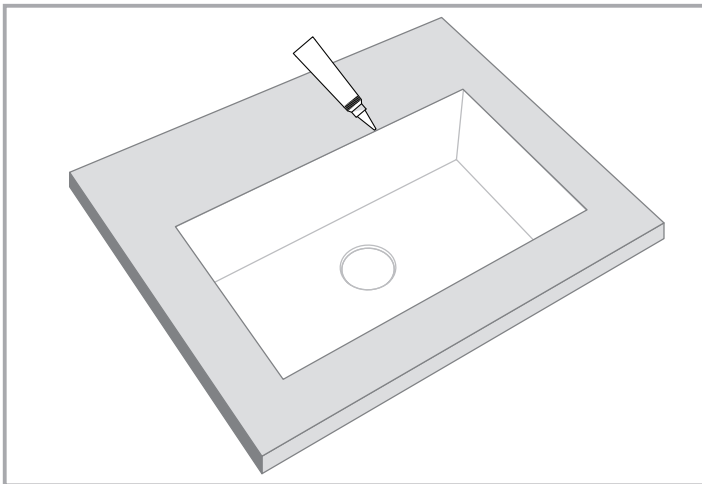
4. Apply a bead of silicon sealant around the edges of the sink.



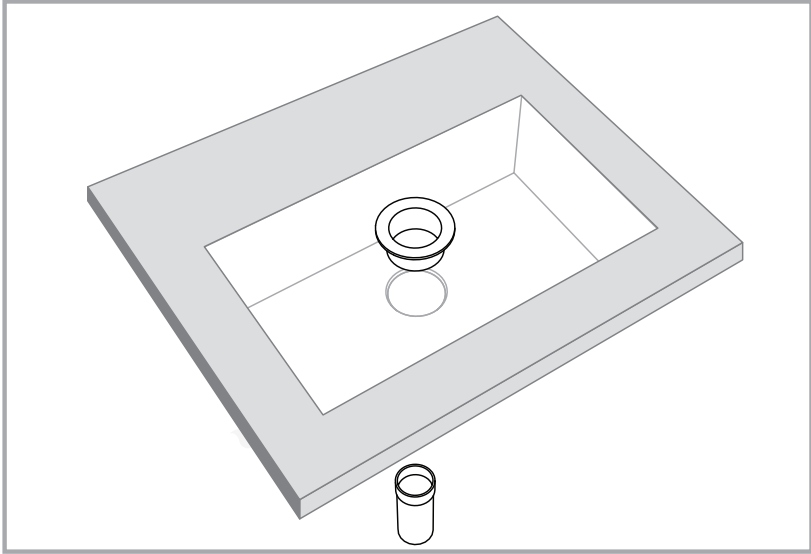
5. Lift the sink into place and tighten the mounting brackets evenly. (WARNING: Do not over tighten!)



6. Apply a bead of silicon sealant at the edge of the sink fill any gap. Wipe away any excess silicon and allow to dry.



7. Install drain assembly (not included) according to the manufacturer's instructions.



Maintenance Guide

1. Regular cleaning can keep the original appearance of the sink. Use a mild detergent such as liquid dishwashing soap and warm water for cleaning. Rinse thoroughly with clean water to remove any cleaner residue and towel dry the sink immediately.
2. Some discoloration spots are caused by hard water or household substances. These spots can be removed with special cleaning / polish products specifically for stainless steel.
3. Carefully read the cleaner product label to ensure the cleaner is safe for use on the material.
4. Do not use abrasive / harsh chemical when cleaning the product as they will damage and dull the finish. Avoid chlorine based solution from coming in contact with the stainless steel.
5. When using spray cleaners, spray first onto a soft cloth or sponge. Never spray directly onto the surface.
6. Never use steel wool or scrubbing powder to clean the surface. The stainless steel surface can get scratched and rust may developed at the damaged area.

Notice

1. Do not use abrasive / harsh chemical when cleaning the product as they will damage and dull the
2. Do not let water or other liquids dry on the stainless steel surface. The liquids will leave a spot on the product surface.
3. Any acidic food residue must be cleaned up immediately. For example, juices, salt, muster, dressing, etc.

