

AQUAZONE

QUALITY PLUMBING SOLUTIONS

Installation Guide



AQE-ECO-I302-XX

AQUAECO MONO INFRA-RED BASIN TAP

A member of  SANIPEXGROUP

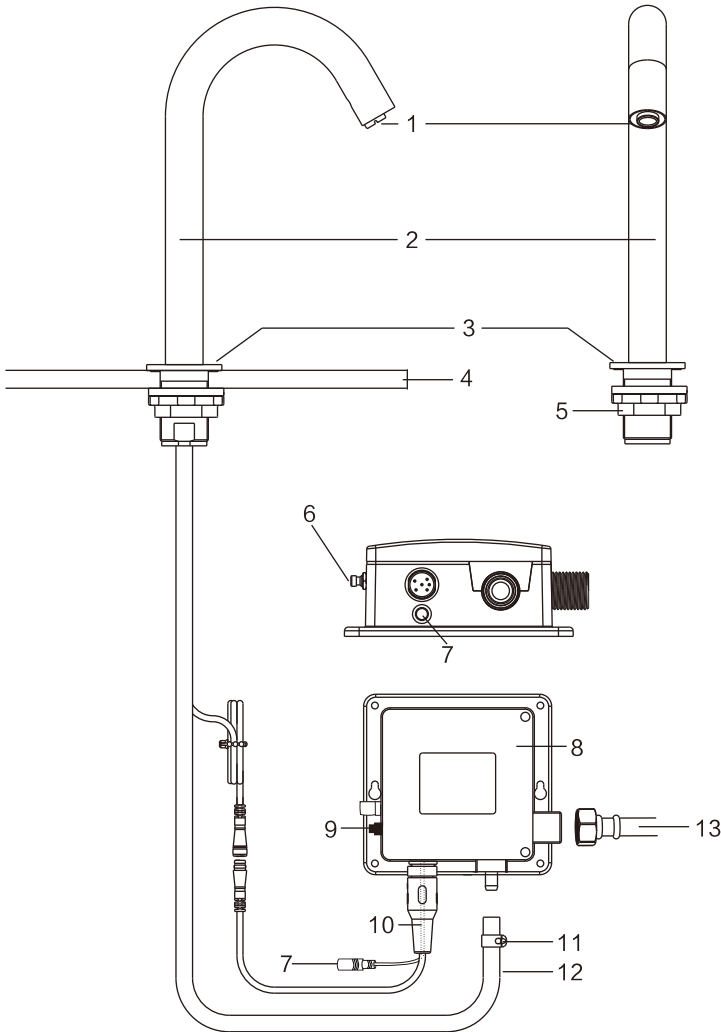
Functions and Features

- Hands free infrared sensor activated
- Automatic shut-off water saving flow control.
- Improves water and energy efficiency.
- Easy to use-ideal for disable or elderly.
- Hygienic-reduces risk of cross-contamination.
- Mains and battery powered options included.
- Vandal resistant.
- Easy to fit in new installations or retrofits.
- Self-adjusting to the environments and sensitive to environmental change of light and refraction also detect water wastage.
- Sensor provides faster, more convenient experience, ensuring the tap is never left running.

Technical specification

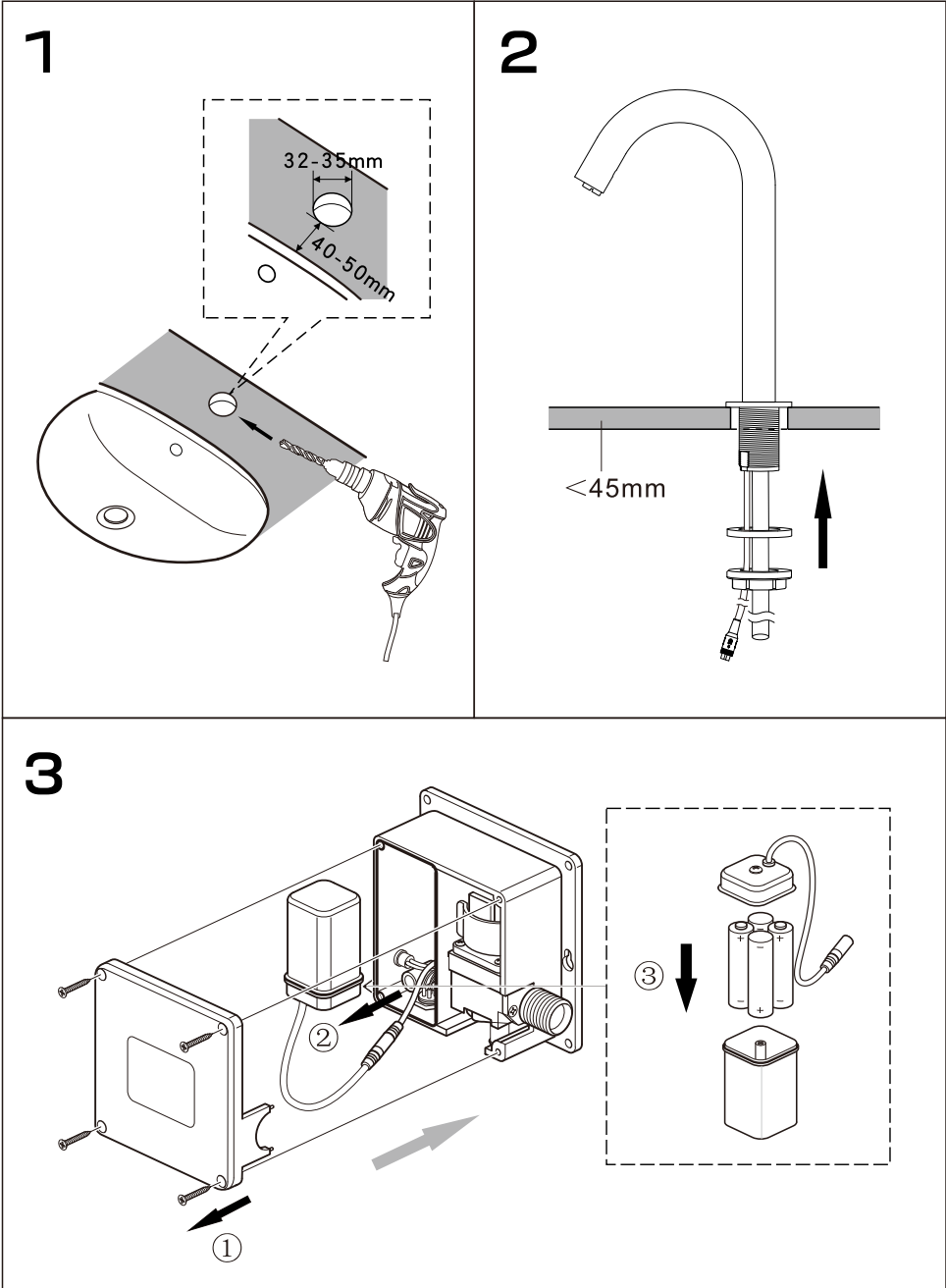
Model no.	AQE-ECO-I302-XX
Power input	DC:6V(4 × 1,5V AA alkaline battery) AC:220–240V(50/60 Hz)
Detection zone	15–25cm(to white board)
Water pressure	0.05–0.8(Mpa)
Power consumption	AC:<0.5mw; DC:<0.3mw
Inlet/outlet diameter	G1/2"
Confirmation time	< 1 second
Water temperature	1°C–50°C

Parts name



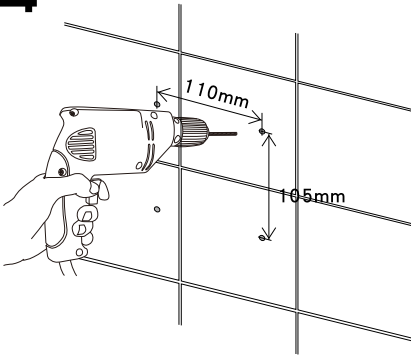
- | | |
|----------------------|---------------------|
| 1.aerator | 8.control box |
| 2.faucet body | 9.adjustment button |
| 3.cover | 10.cable socket |
| 4.basin | 11.buckle |
| 5.nut | 12.inlet |
| 6.adjustment button | 13.outlet |
| 7.transformer socket | |

Installation step

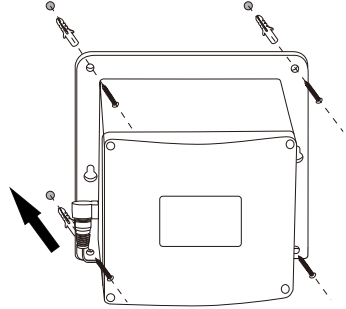


Installation step

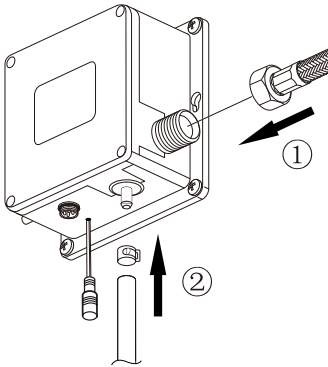
4



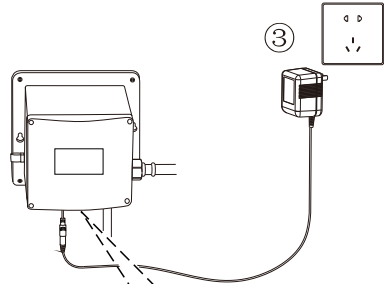
5



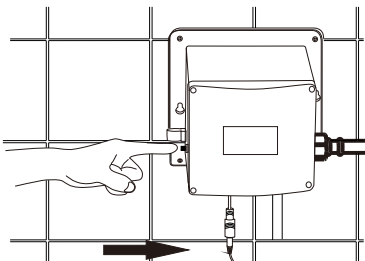
6



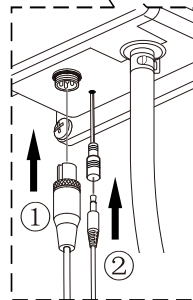
7



8



press and hold for 3 second
and wait for 20s.It will detect
a proper distance automatically.



Using method

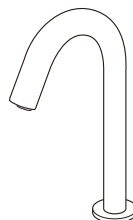
Before use:



During use:



After use:

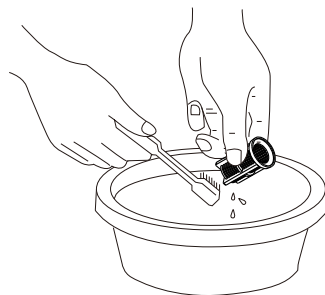
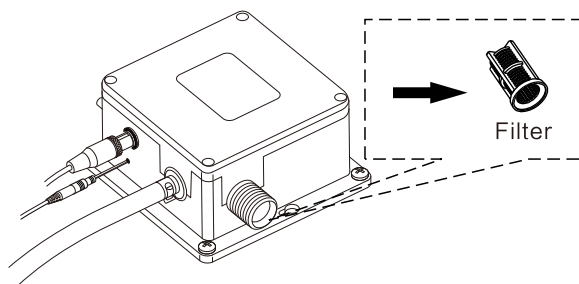


Note: when your hand enters the inductive field the water flows, remove your hand from the field and the water stops. It will stop automatically after flushing 30 seconds continuously, leave your hand from the inductive field for 3 seconds then enter the field to flush again.

Maintain

Clean filter

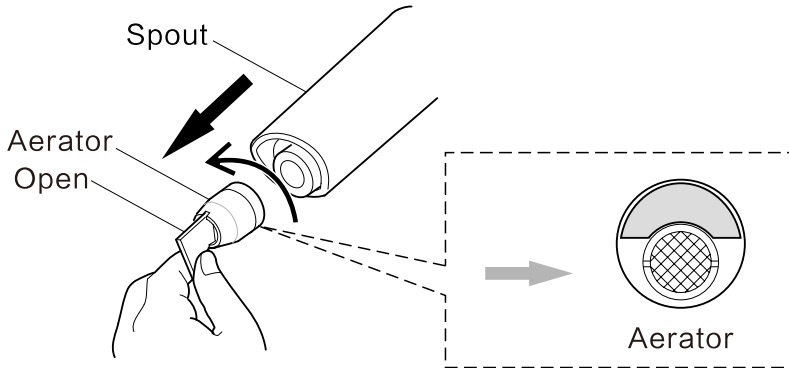
■ Please ensure the filter is cleaned every 6 months or if the water flow is reduced.



Maintain

Clean aerator

■ Please ensure the filter is cleaned if the water flow is reduced.



Clean aerator:

(1) Turn off isolating valve. (2) Open and take out filter. (3) Wash filter out and replace.

Troubleshooting Guide

Problem	Cause	Solution
No water out	The batter is exhausted	Change the battery
	Water supply cut off	Check supply
	Dirt in the filter	Clean the filter
	Water pressure to low	Raise the pressure
Water will not turn off	Dirt on the sensor window	Clean the sensor
Too little water flow	Water supply is turned down	Adjust water supply
	The filter is too dirty	Clean the filter
	Water pressure is too low	Raise the pressure
Too much water flow	Water pressure is too high	Adjust pressure
Short cycles of battery	Incorrect batteries	Change to 4AA Alkaline batteries
The indicator light is not on	The light is broken	Change the light or circuit board
	The circuit board is wet or signal line is wet	Dry out
	The battery is exhausted	Change the battery
	Poor connection of battery	Change battery connections

AQUAZONE

QUALITY PLUMBING SOLUTIONS

Oakwell Way, Birstall
Leeds, England WF9 17LU

A member of  SANIPEXGROUP