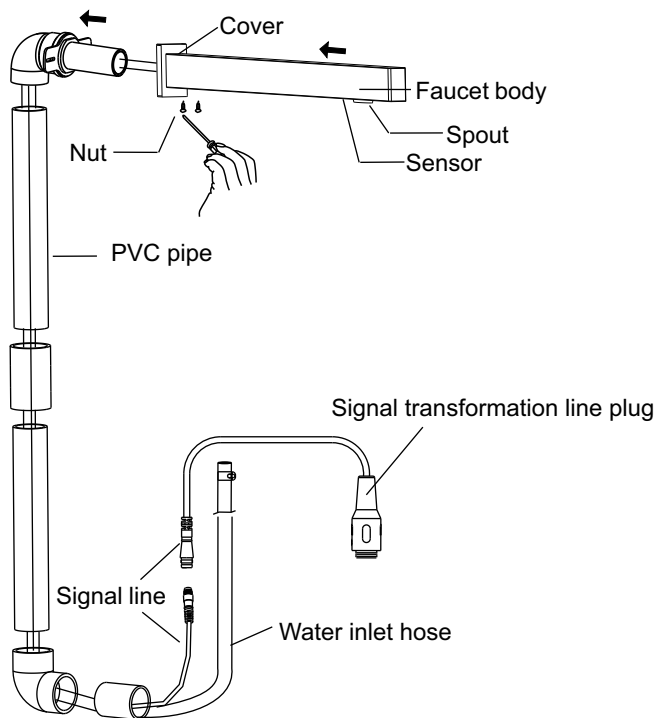


INSTALLATION STEP

Install faucet body

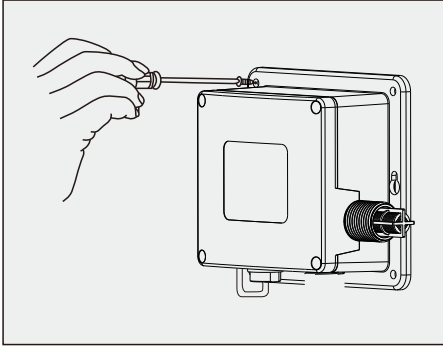


Step:

1. Insert PVC hose on wall, in order that install faucet body and signal line.
2. Put the signal line and water inlet hose inside the PVC hose.
3. Screw fixed joint and nut of faucet on tightly, then close the cover.

INSTALLATION STEP

Installation control box



1. Put the control box on wall,drill four holes, then insert the plastic bulged tube.

2.Fix the control box on wall by screw.

Note:

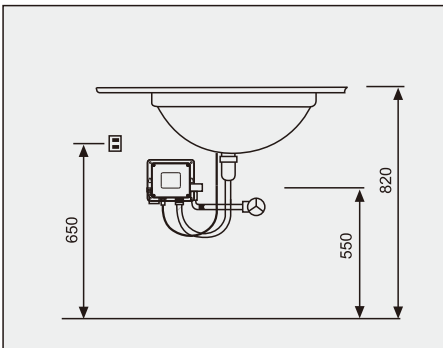
1. Please close the water supply and power supply before install.

2.Be sure to install control box correct, don't put upside down.

3.For easy to maintain, should be choose the suitable place install control box.

Meanwhile, It must less than 50cm distant from the basin.

(PLEASE CHECK THE FOLLOWING PICTURE)



The installation drawing of control box.

AQUAZONE

QUALITY PLUMBING SOLUTIONS

Oakwell Way, Birstall
Leeds, England WF9 17LU

A member of  SANIPEXGROUP