

# AQUAZONE

QUALITY PLUMBING SOLUTIONS

---

## Installation Guide



**AQE-ENV-514-CP**  
ENVOY SHOWER COLUMN SET



## IMPORTANT PLEASE READ

Remove all packaging and check the product for missing parts or damage before starting installation.

Any alterations made to this product and fittings may infringe water regulations and invalidate the guarantee.

The Installation must comply with all Local/National Water Supply Authority Regulations/Byelaws and Building and Plumbing Regulations.

We strongly recommend that your product be installed by a reputable qualified trade's person.

### **General Installation:**

To the Installer, please read and follow this instruction carefully, as the guarantee is only valid if the product is installed as directed.

Don't rush, read the instructions first and run through them before you begin. Keep fittings together to avoid loss. Do not over tighten screws or bolts.

If the product is covered with polyethylene protective film, do not remove until installation is complete to grant maximum protection. However, remove film where any two surfaces will be in permanent contact.

Before making any inlet pipe connections, all supply pipes **MUST** be thoroughly flushed to remove debris.

The fitting of an in-line filter is recommended, Failure to do this could result in damage to the cartridge and components or low flow from the mixer.

The fitting of isolation/stop valves on the inlet feeds is advised for ease of maintenance.

Please leave this installation manual with the end user once the product has been installed.

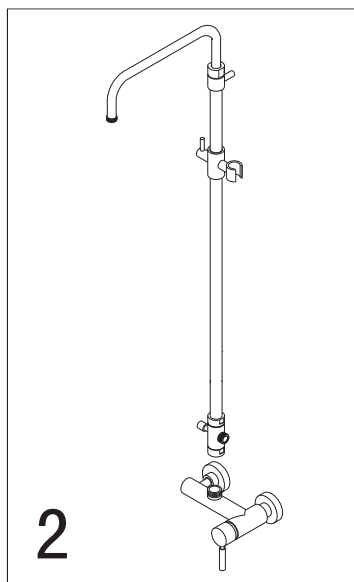
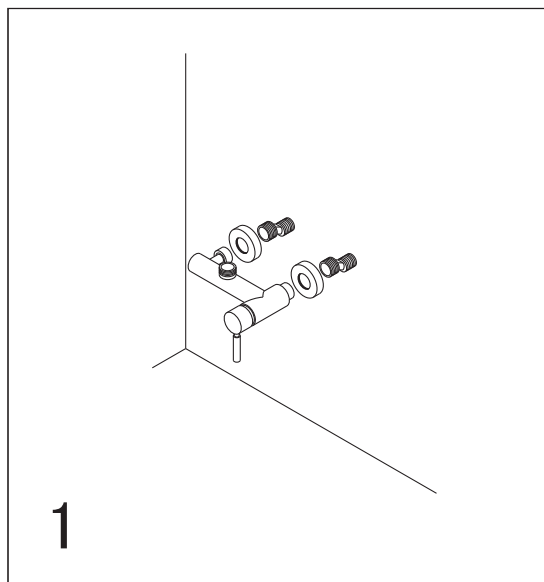
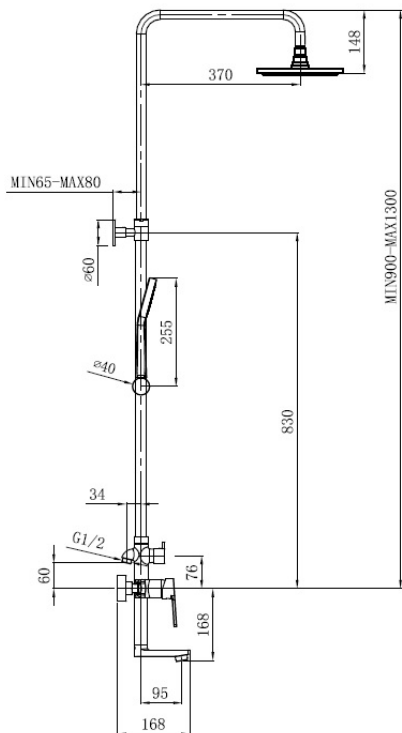
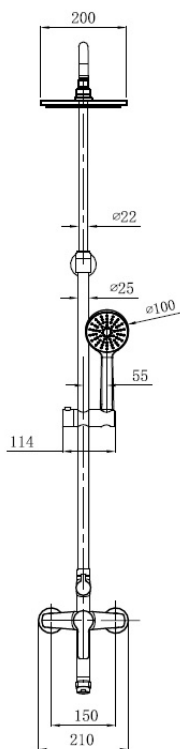
### **Product Aftercare:**

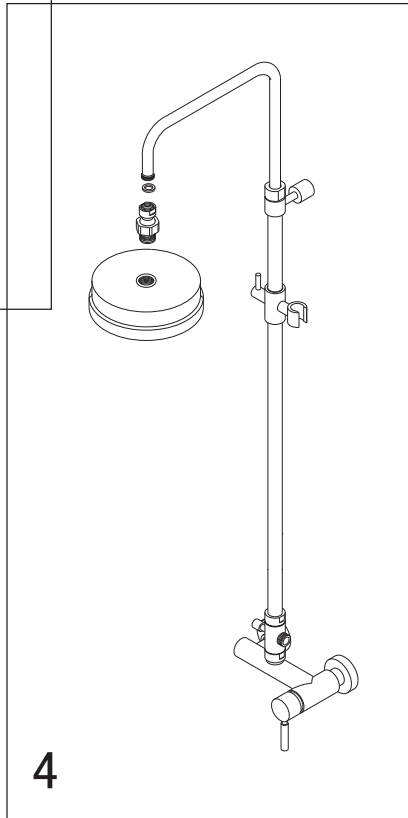
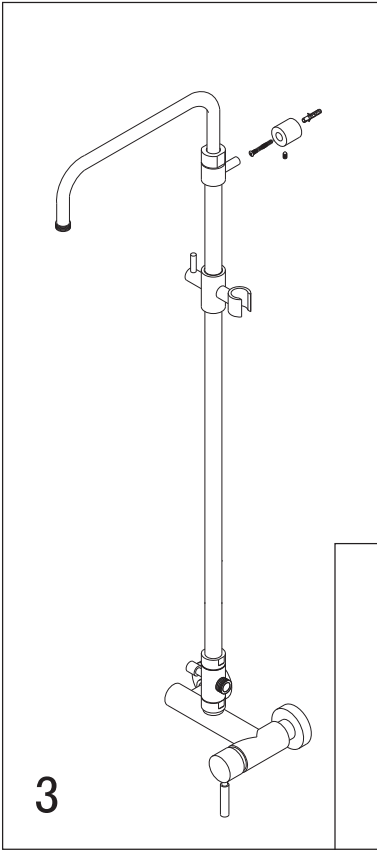
We recommend cleaning with a soft damp cloth and mild soap solution. Do not use cream cleaners or cleaners containing bleach.

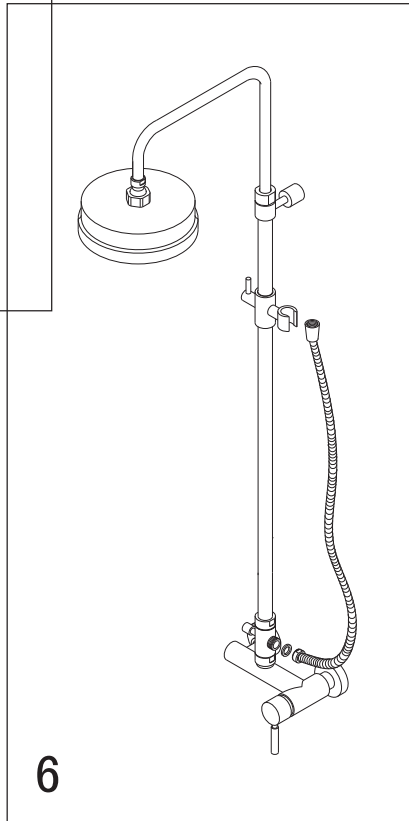
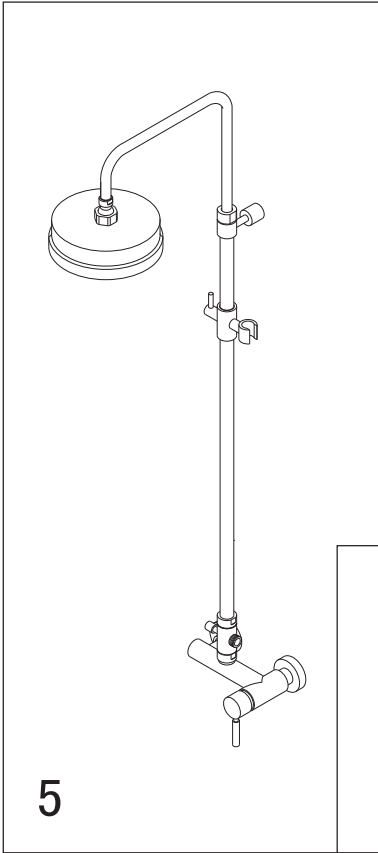
Do not scrub or scour.

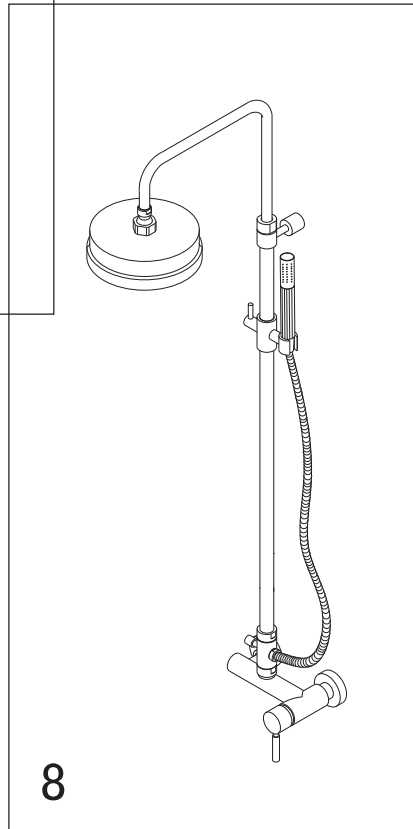
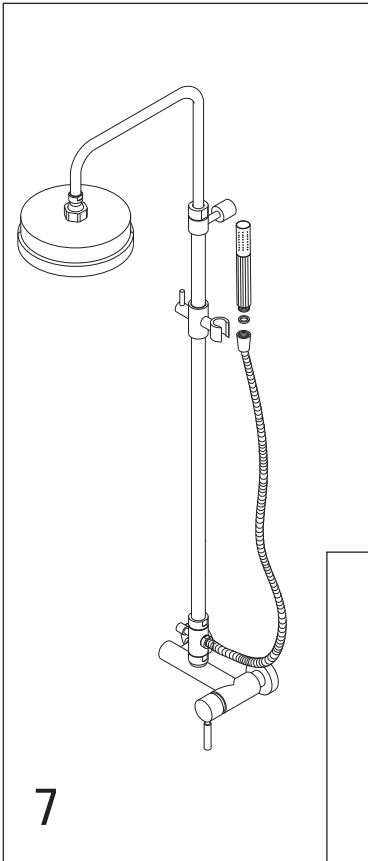
Do not use abrasive cleaning agents.

Do not use solvent based cleaners.

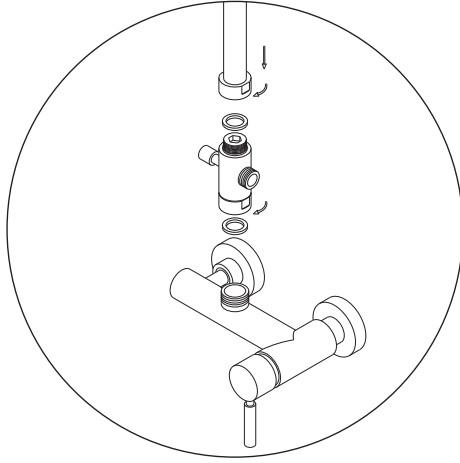




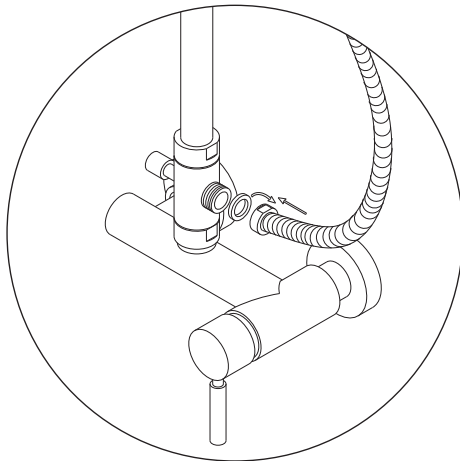




1.a

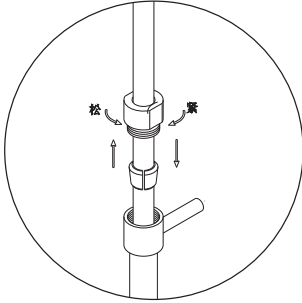


1.b

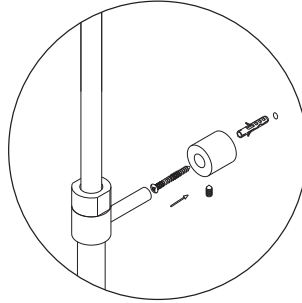




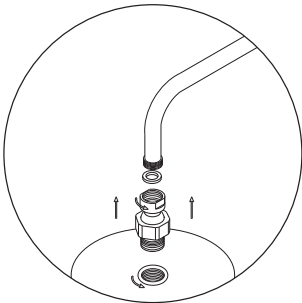
2.a



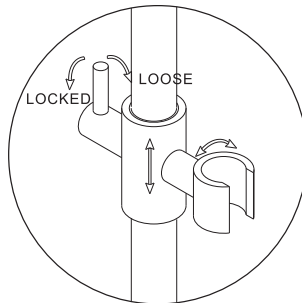
2.b

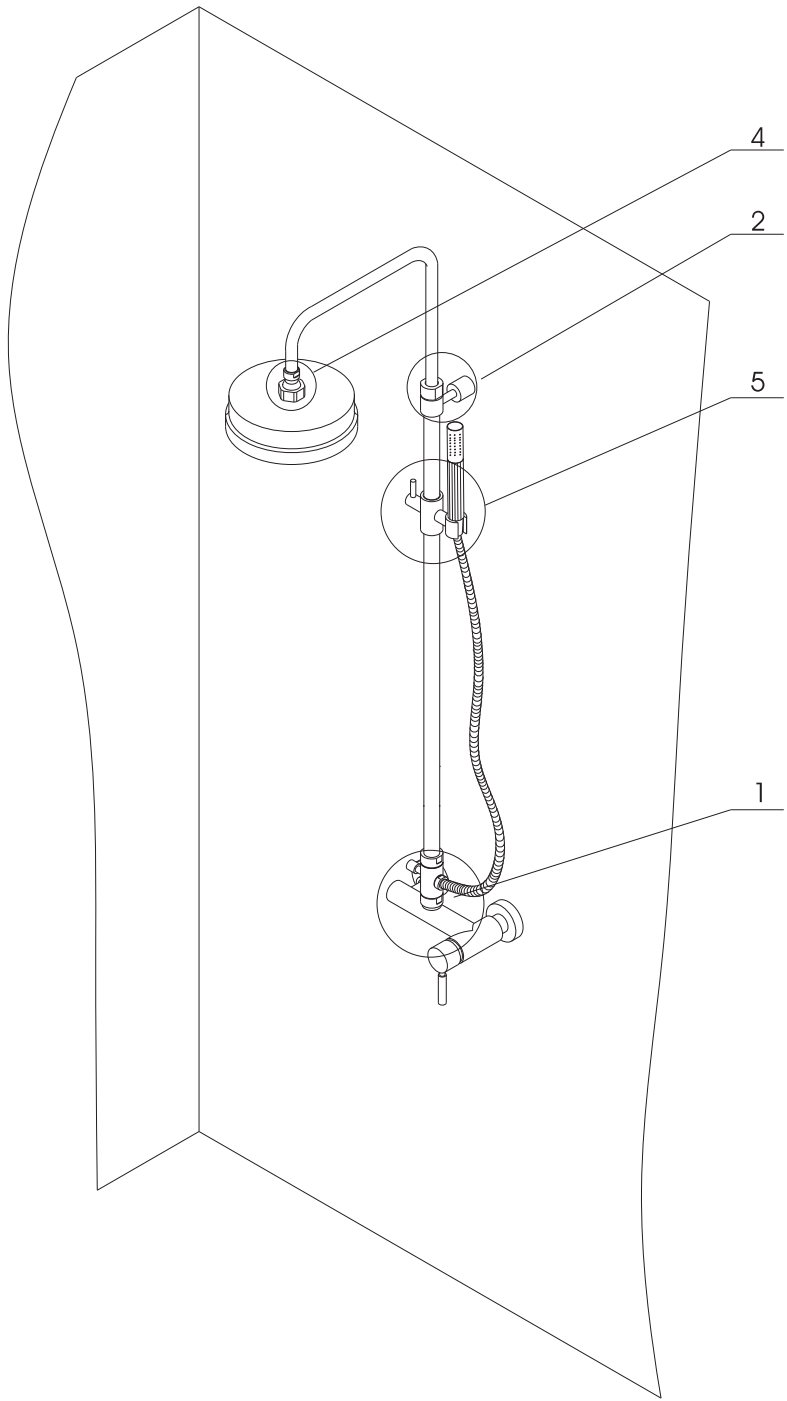


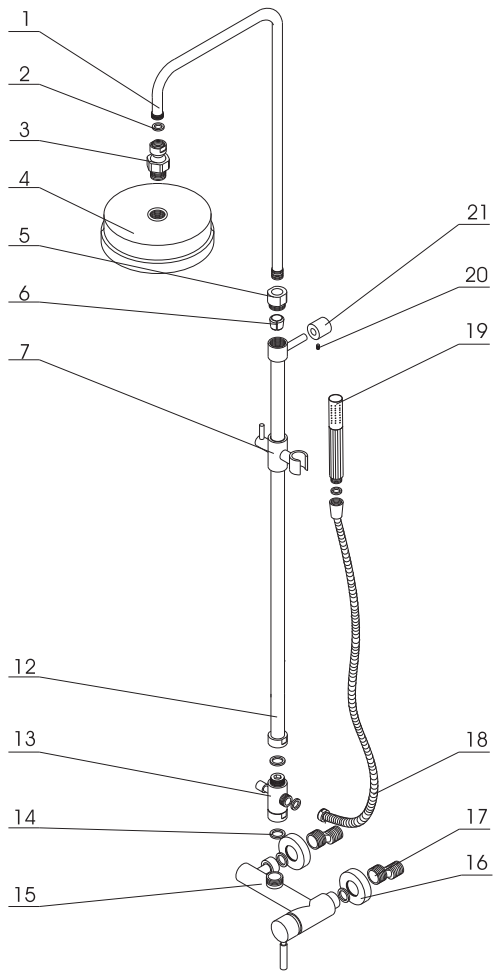
4



5







No.	Description	Qty.	No.	Description	Qty.	No.	Description	Qty.
1	UPPER WATER PIPE	1				15	MIXER	1
2	WASHER	3	9	SET SCREW	1	16	CAP	2
3	BALL JOINT	1				17	OFFSET CONNECTOR	2
4	HEAD SHOWER	1	11	SET SCREW	1	18	SHOWER HOSE	1
5	PRESS SCREW	1	12	LOWER WATER PIPE	1	19	HAND SHOWER	1
6	PRESS PLASTIC	1	13	DIVERTOR	1	20	SET SCREW	2
7	HAND SHOWER STAND	1	14	WASHER	5	21	FIXING STAND	1

# AQUAZONE

QUALITY PLUMBING SOLUTIONS

---

---

---

---

---

---

---

---

---

---

---

---

Oakwell Way, Birstall  
Leeds, England WF9 17LU

A member of  SANIPEXGROUP