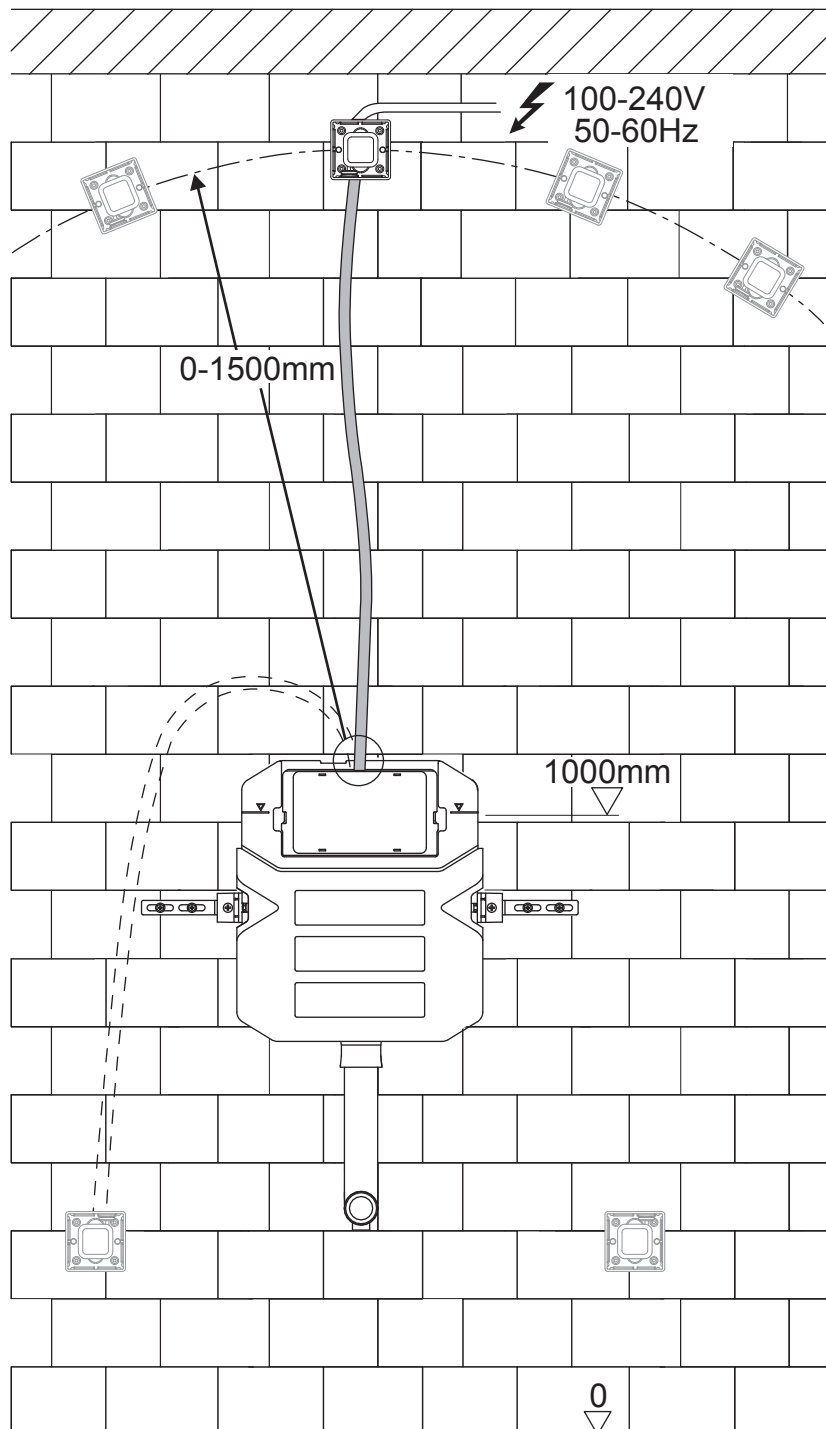
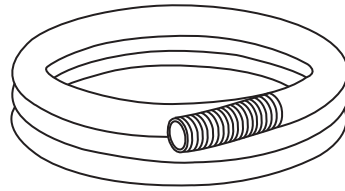
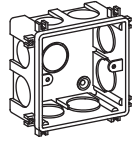
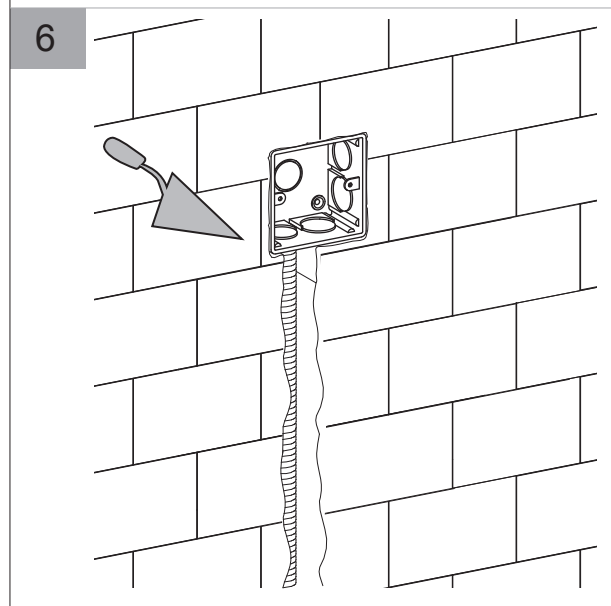
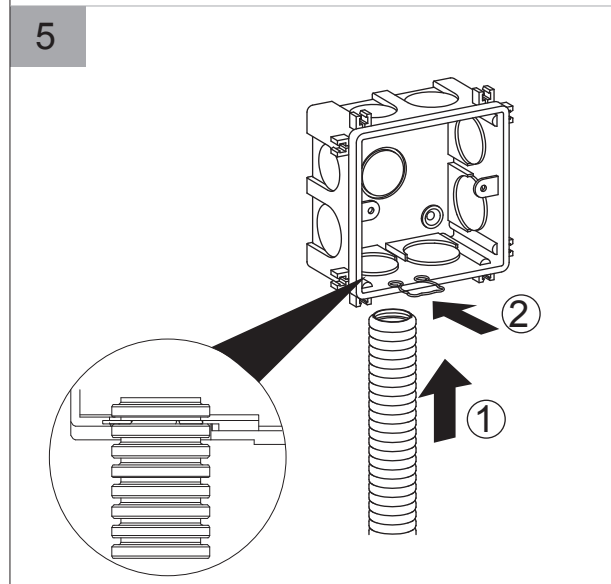
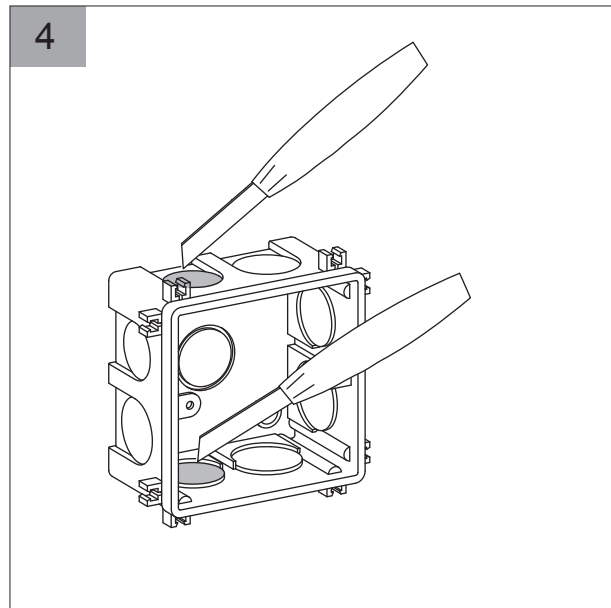
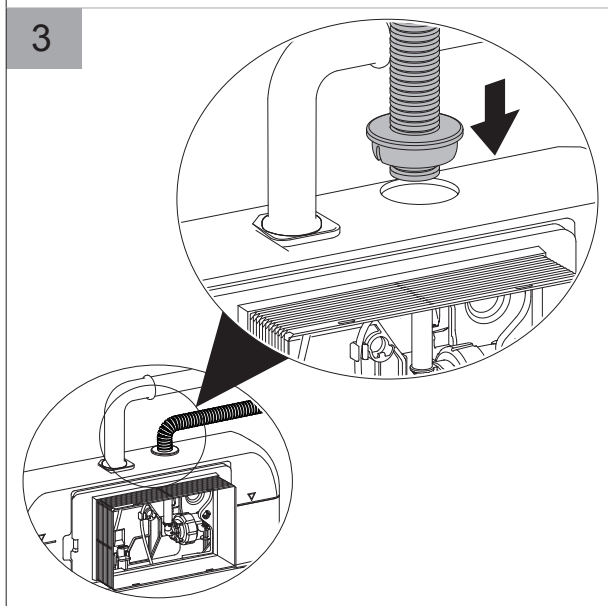
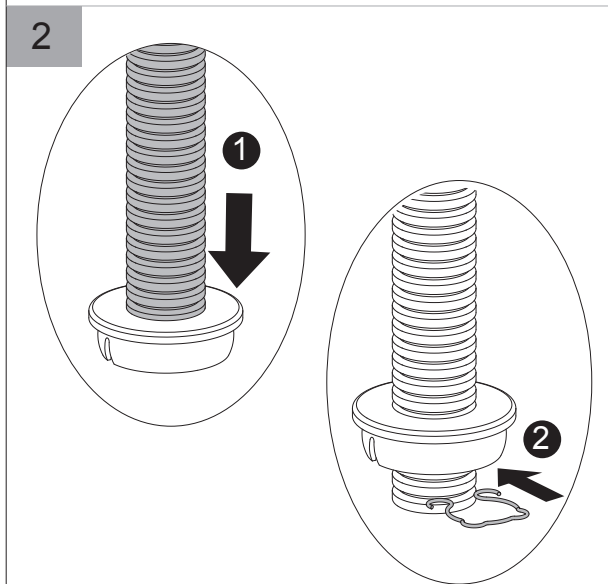
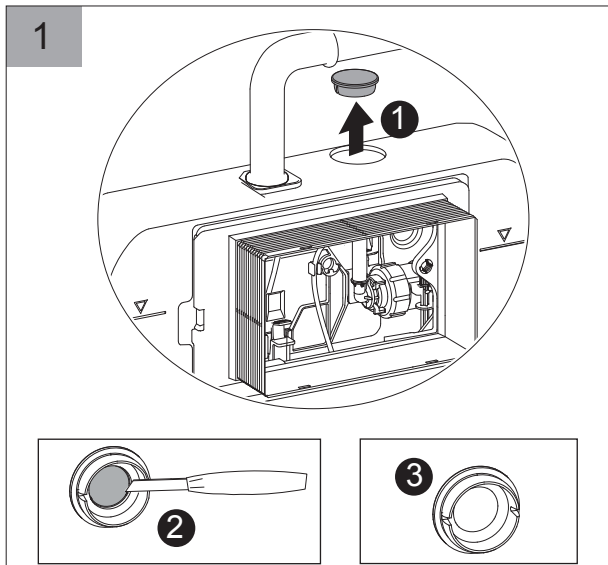


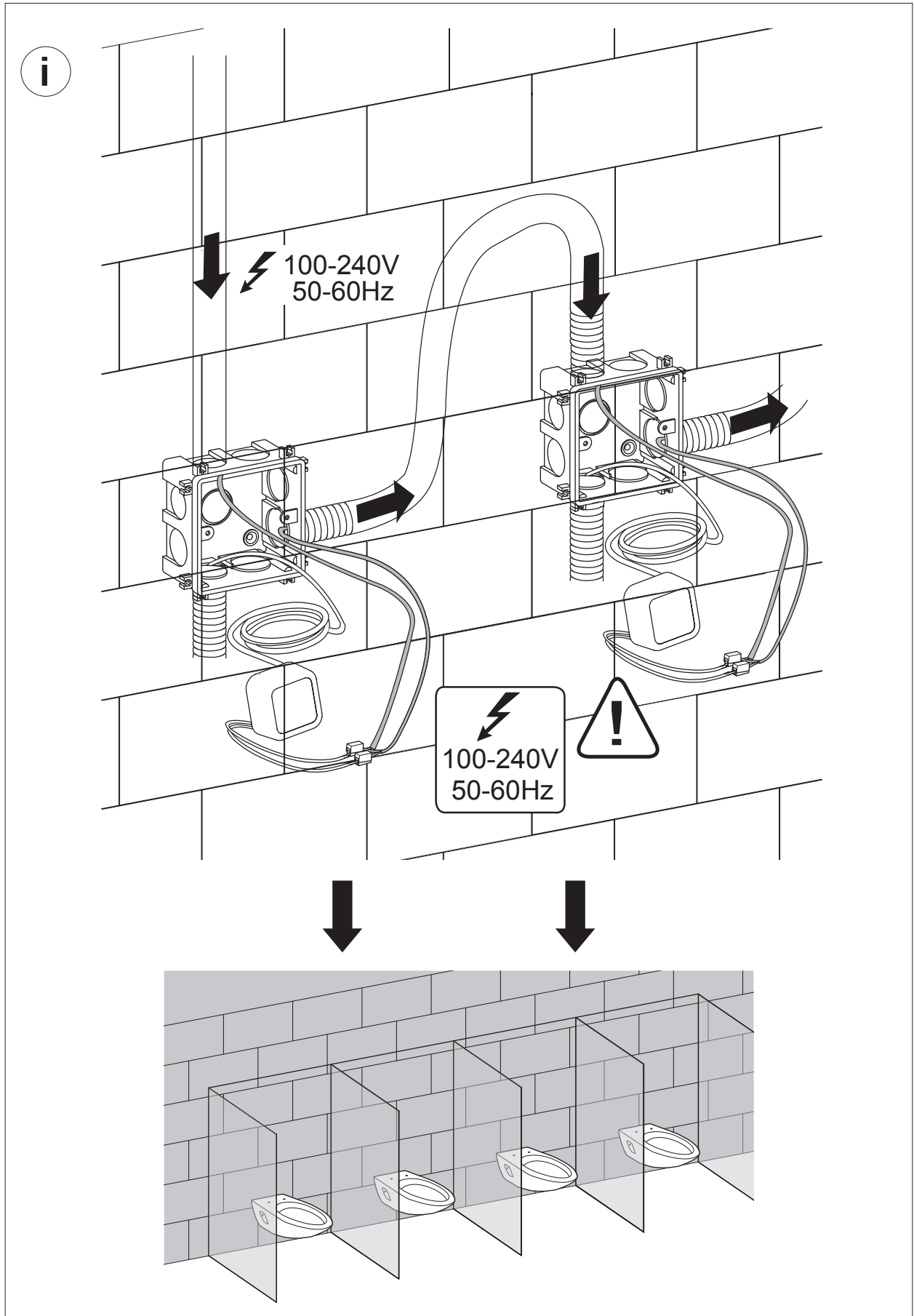
Installation



Installation

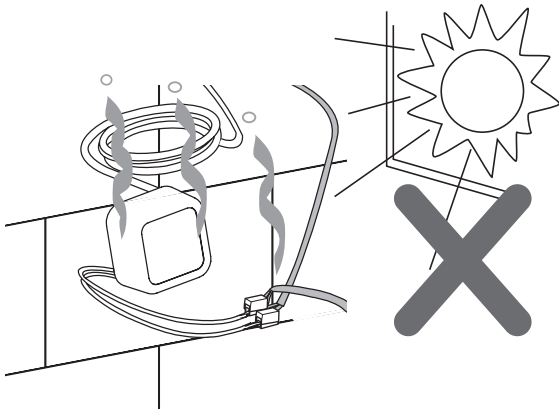


Installation

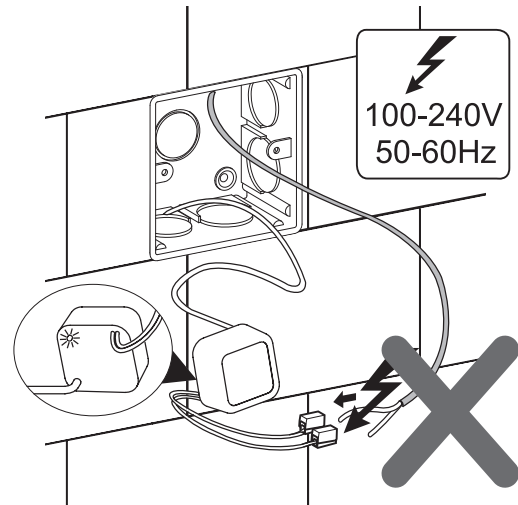


Safety instruction

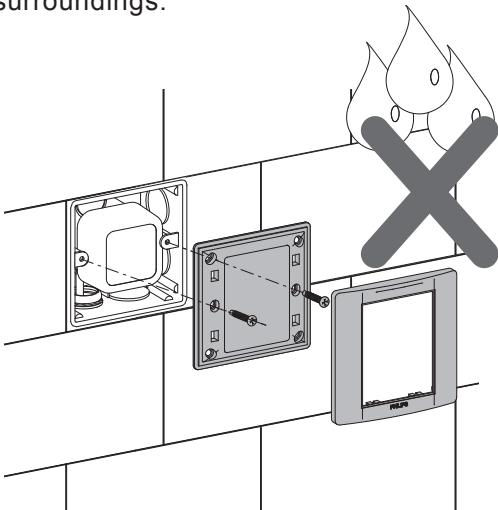
The adaptor can't be installed exposed, especially under the sunlight.



Any operation is disallowed when adaptor is connected to power supply.

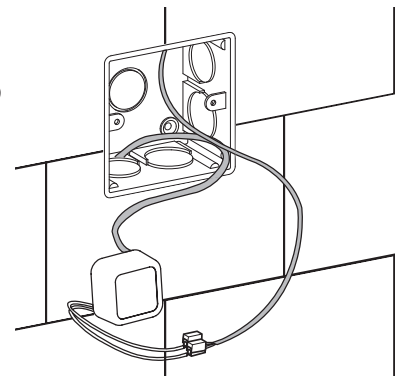


The adaptor can't be installed in wet surroundings.

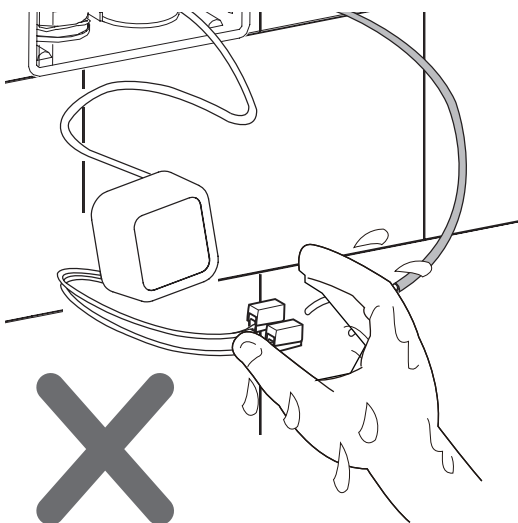


The size of cable should be 1.0-2.5mm² and the wire connector should be connected firmly.

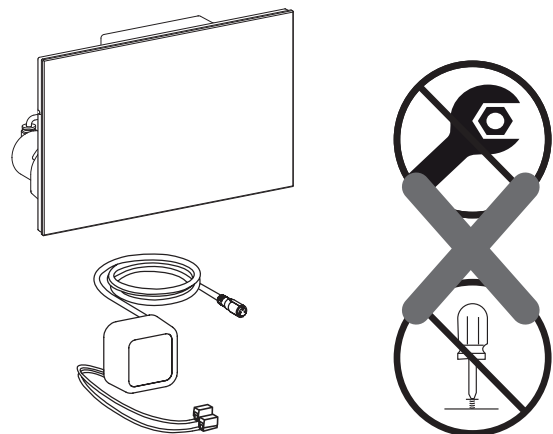
CAUTION:
Be sure not to place adaptor in an inflammable box (for example a wooden box).



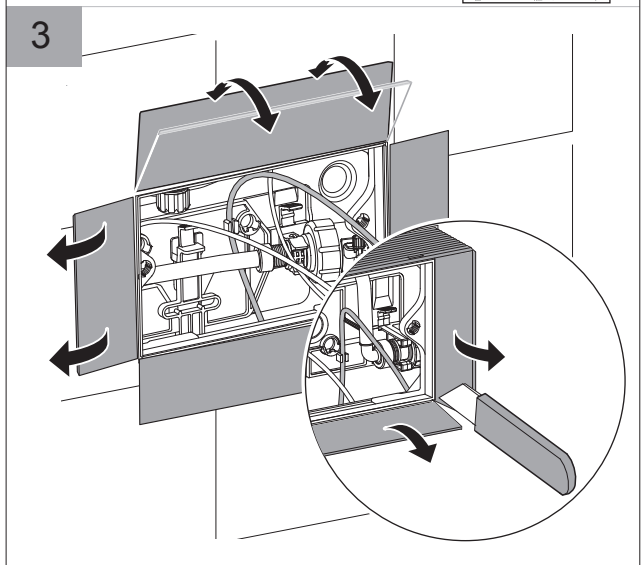
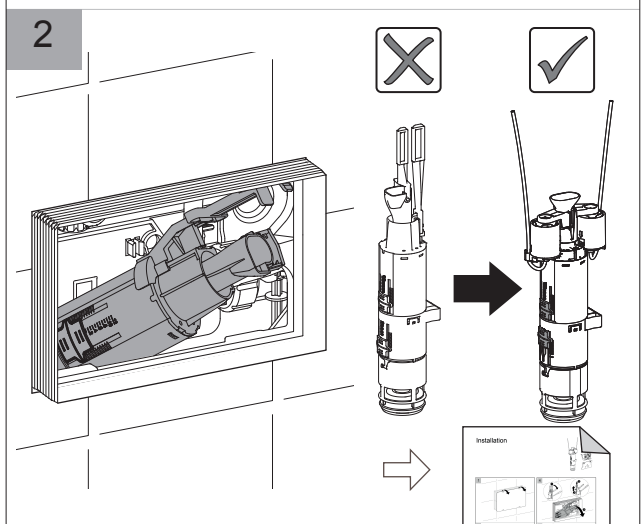
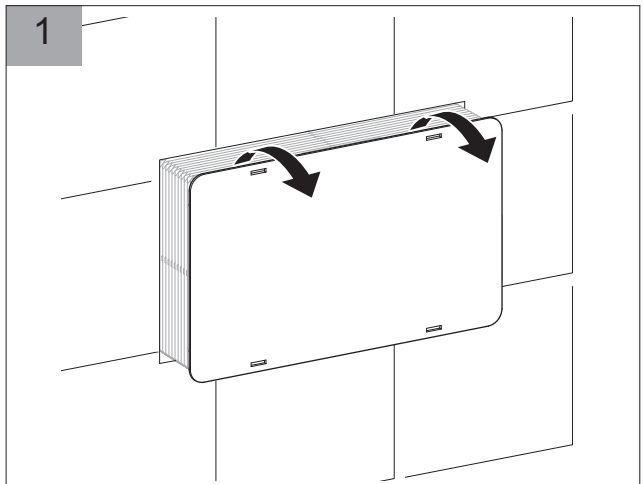
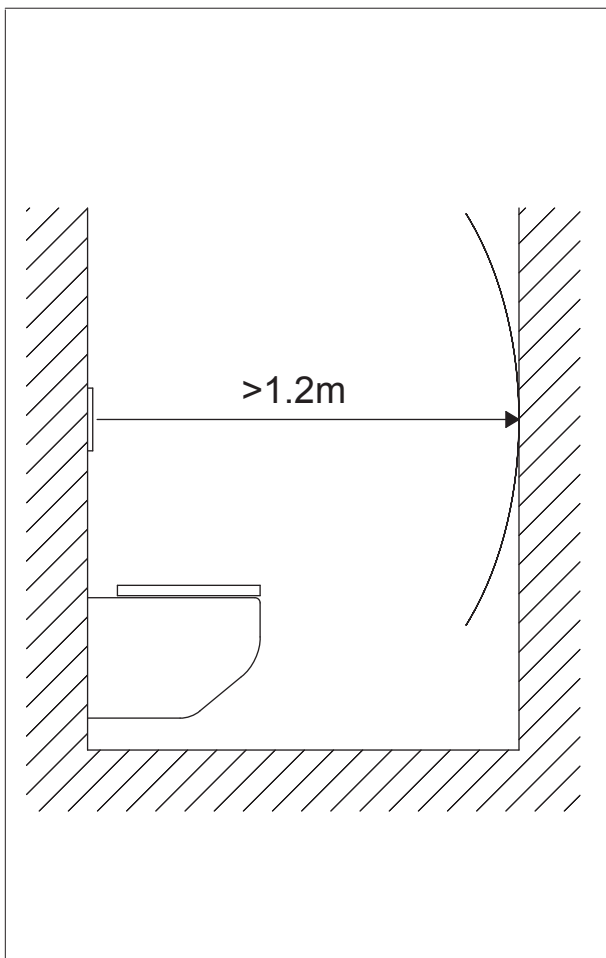
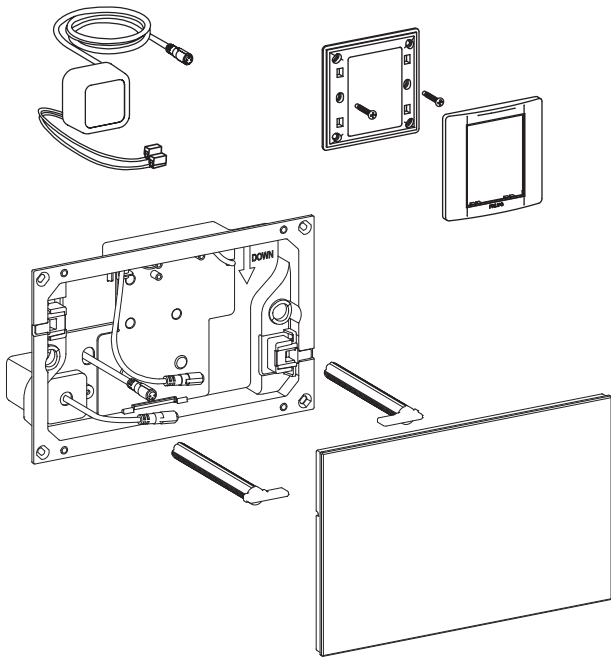
Operation with wet hands is forbidden.



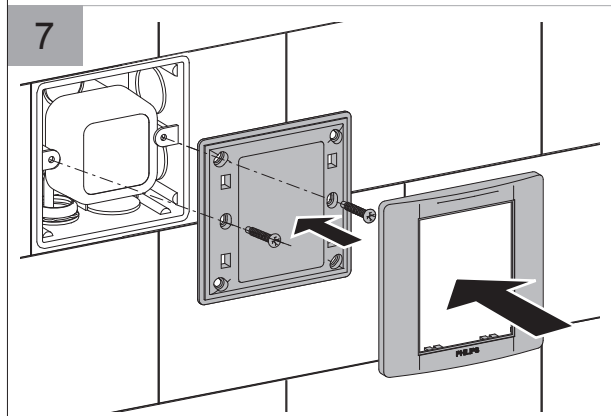
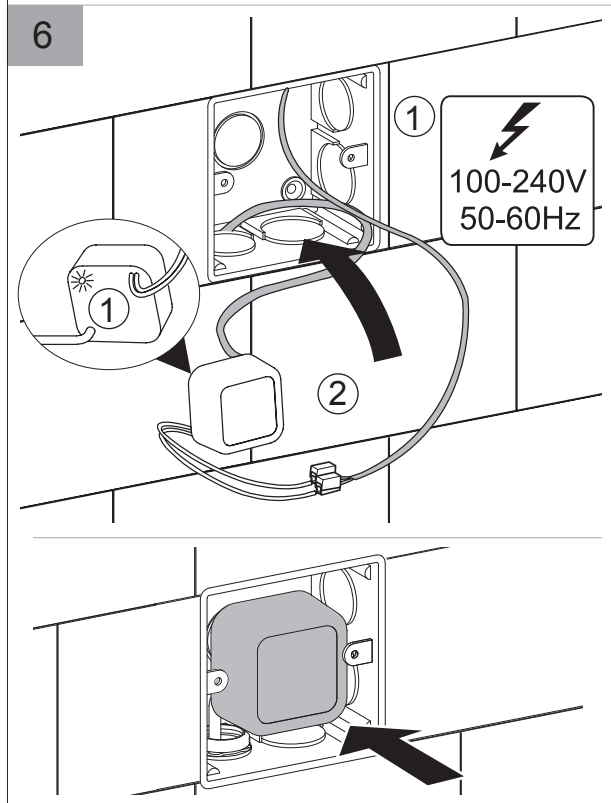
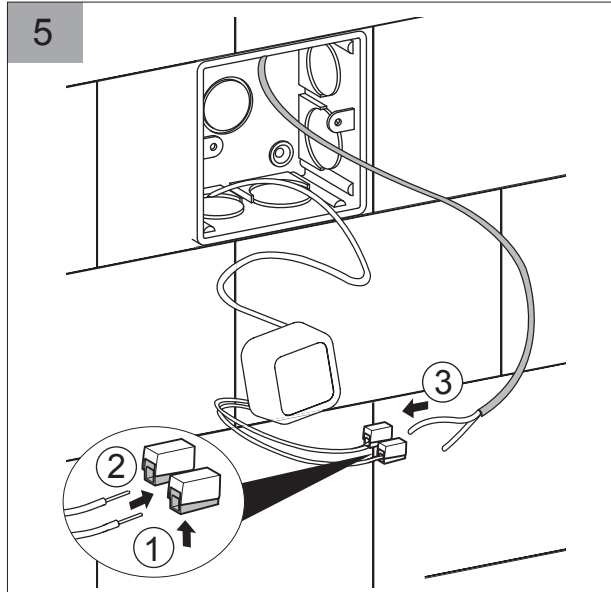
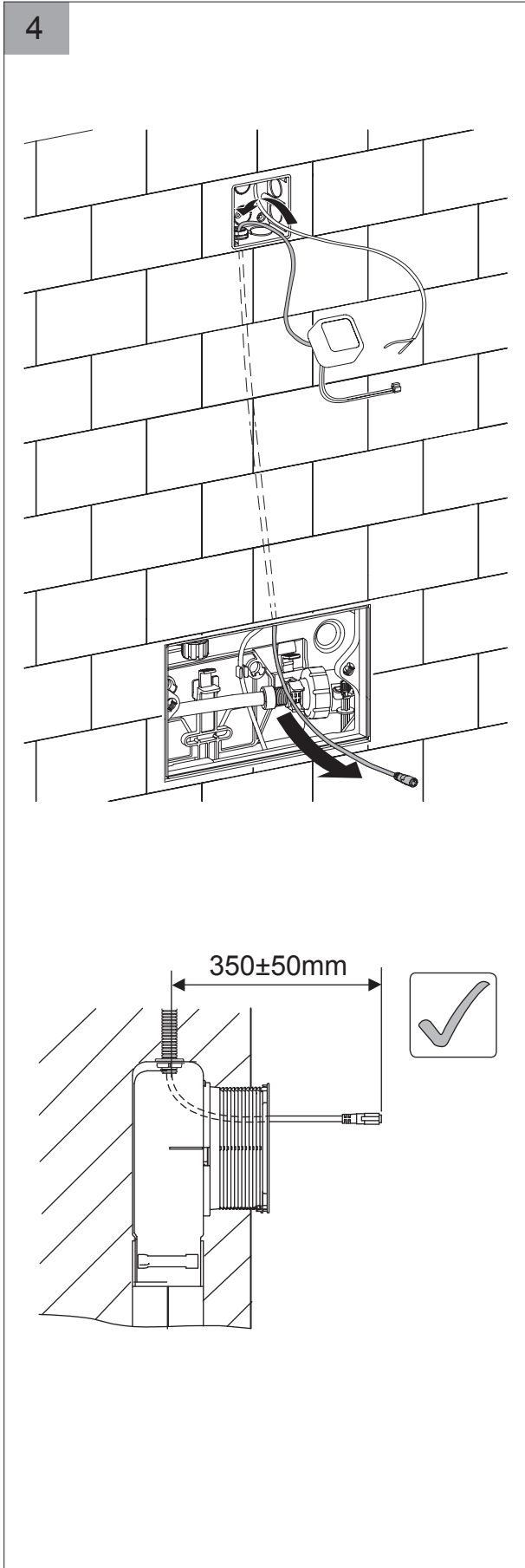
Disassembly of the product is forbidden.



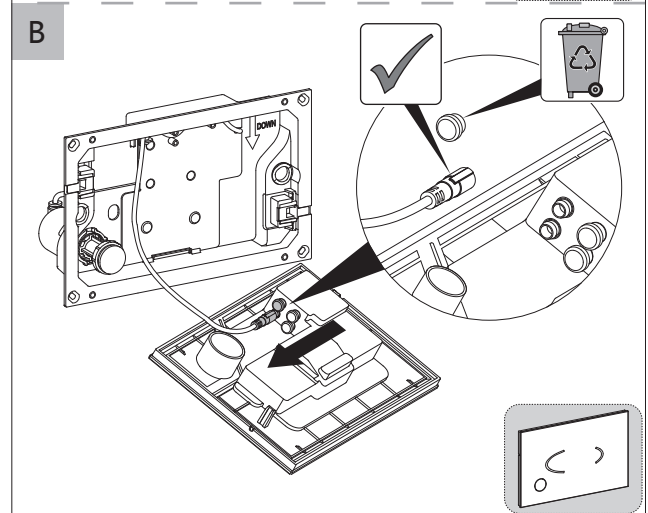
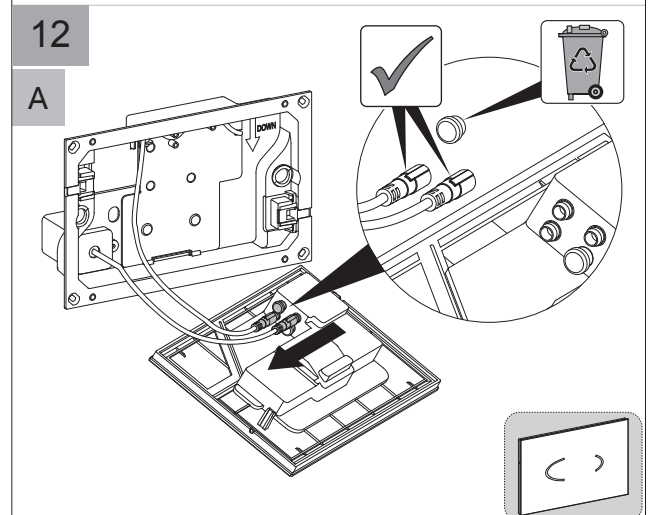
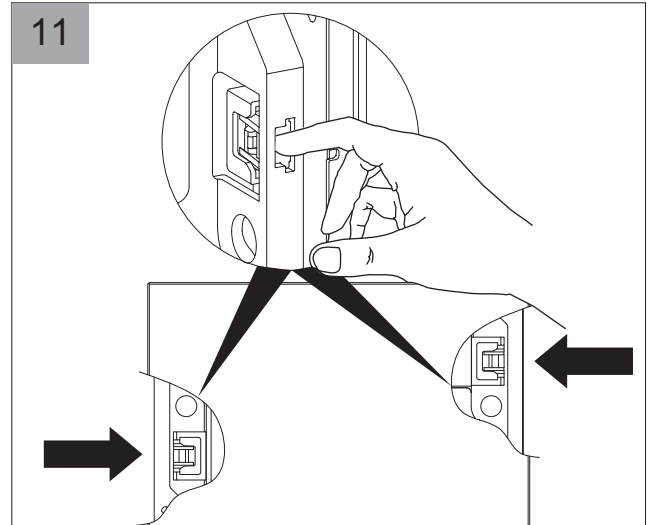
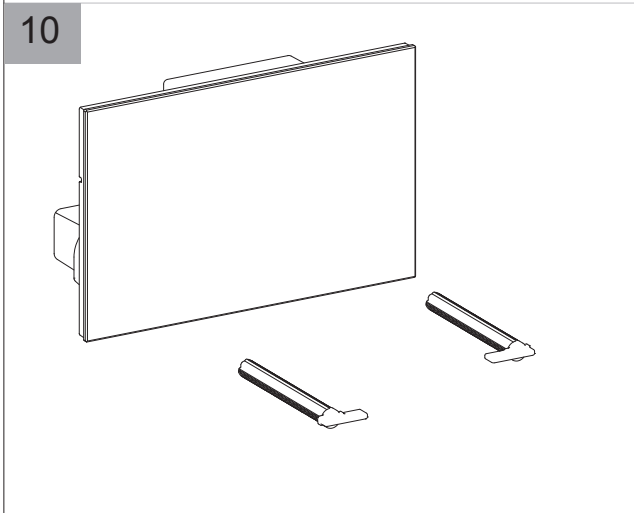
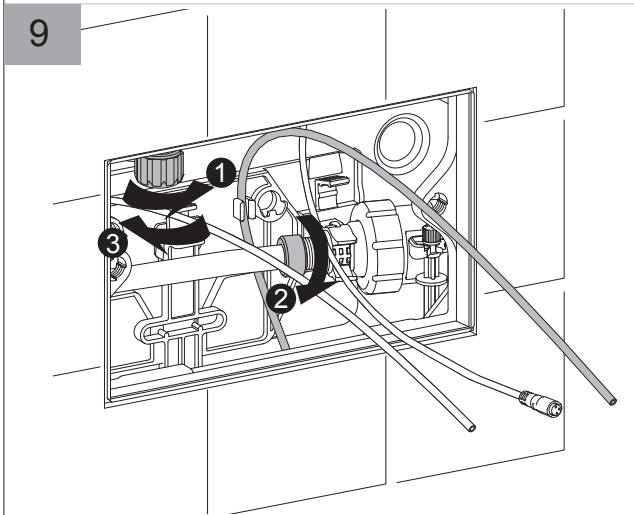
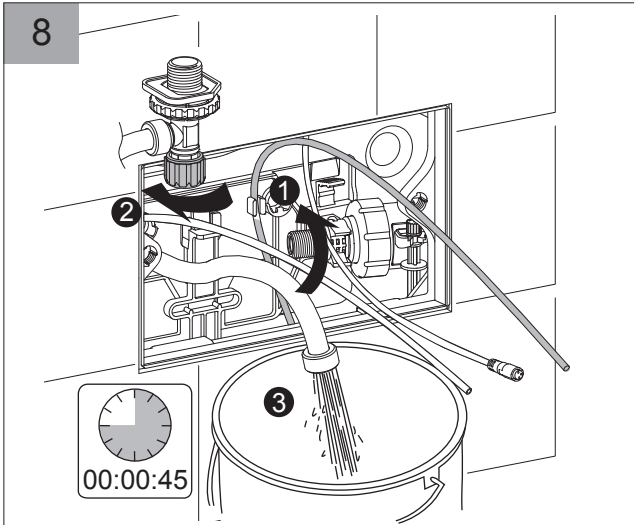
Installation



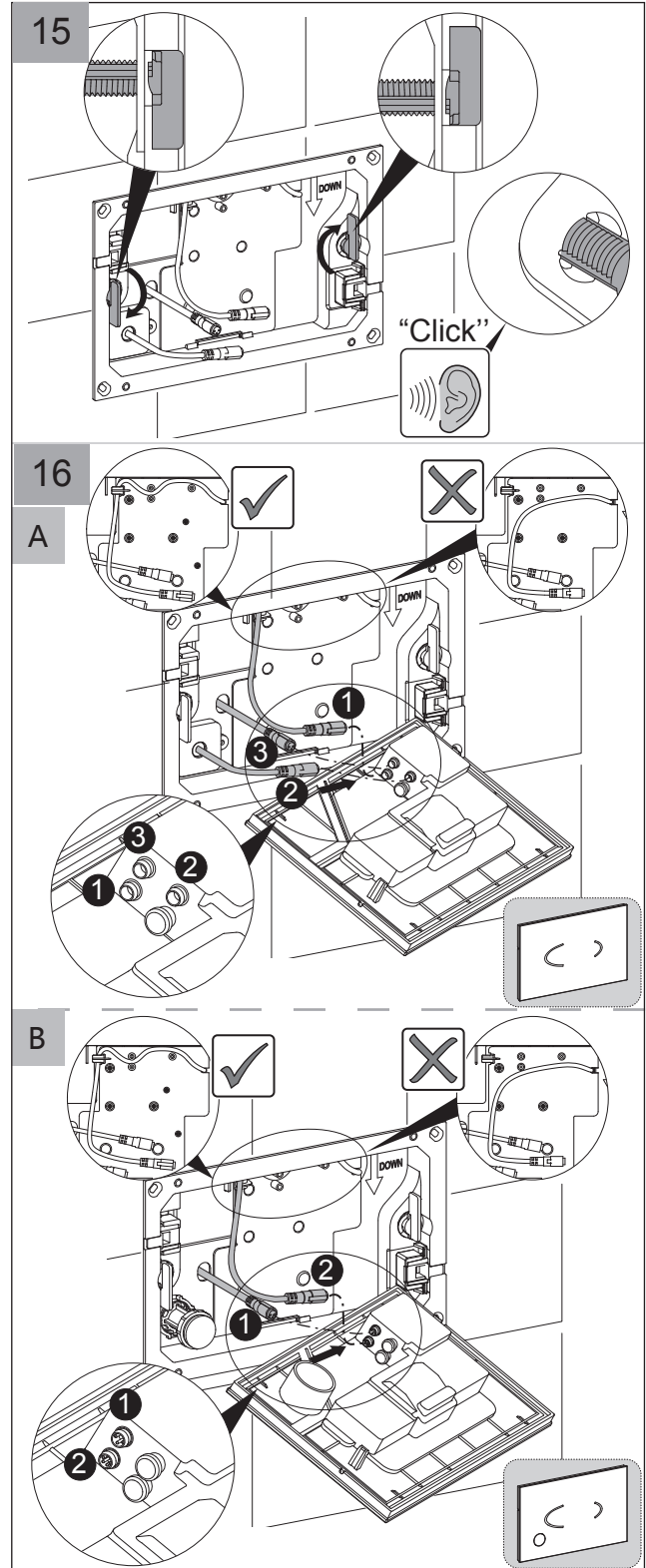
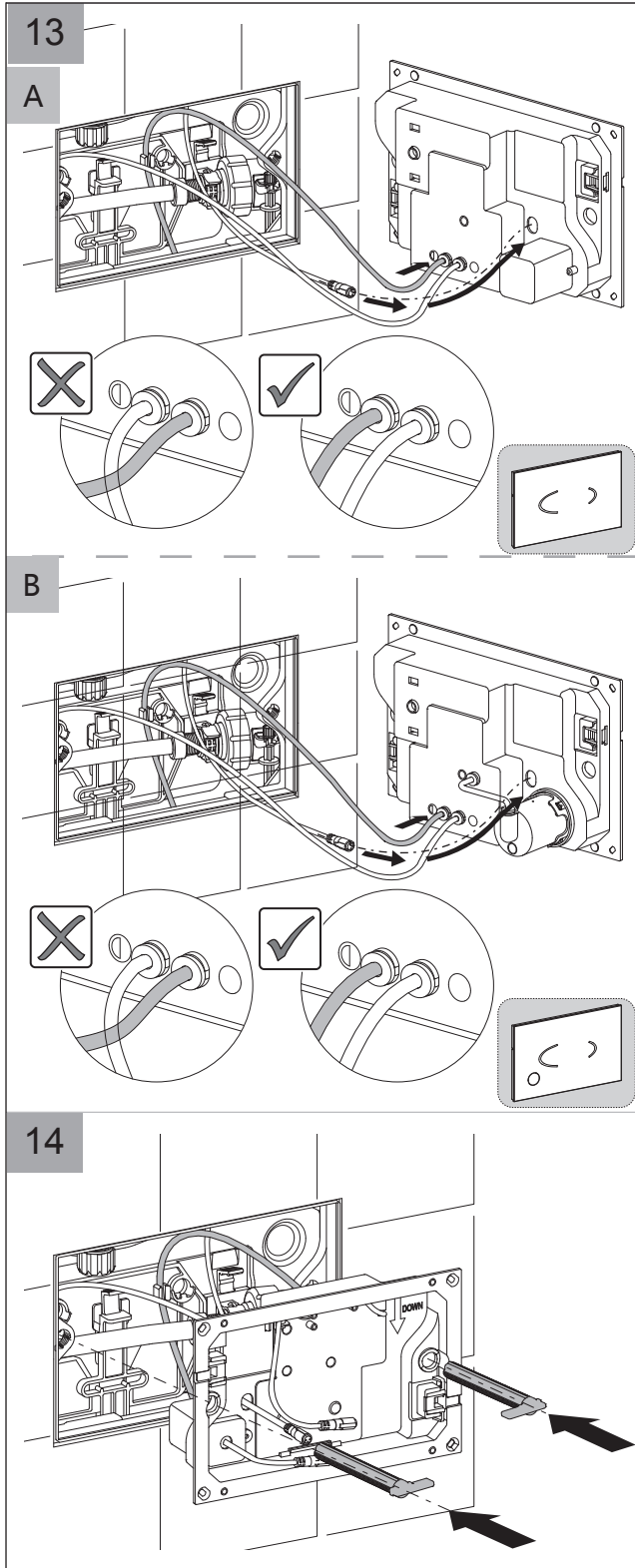
Installation



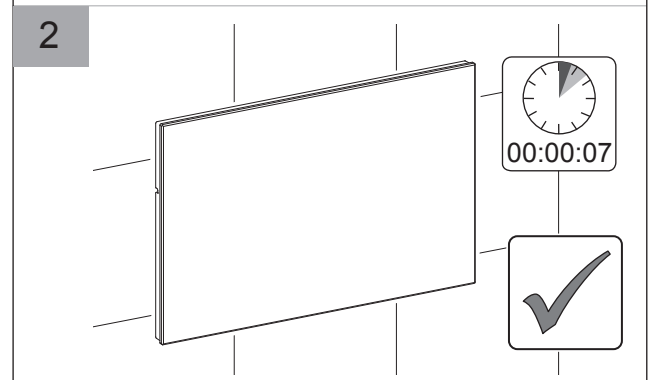
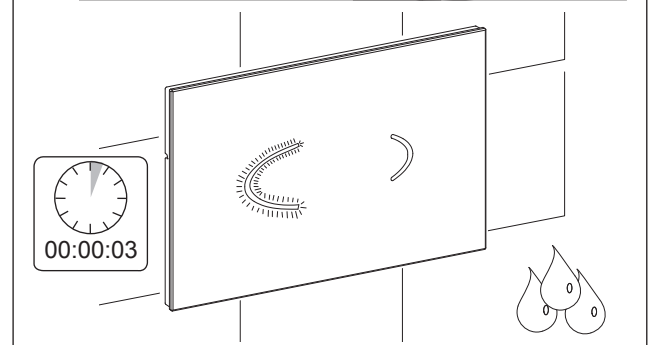
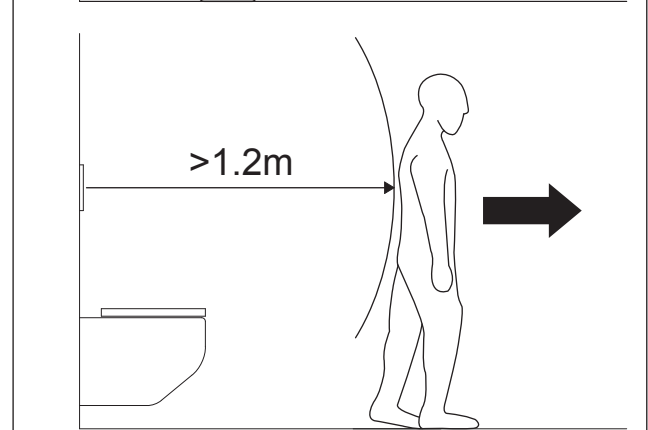
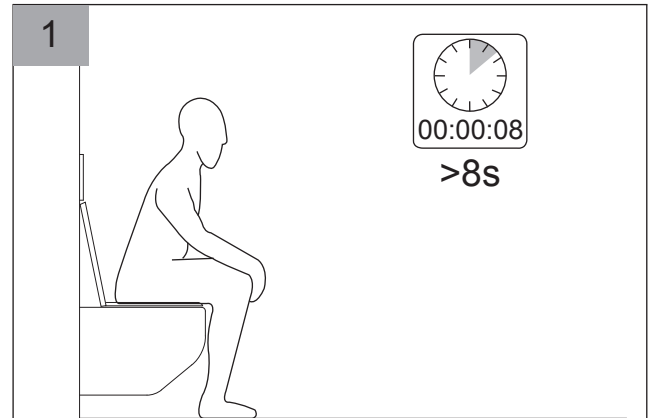
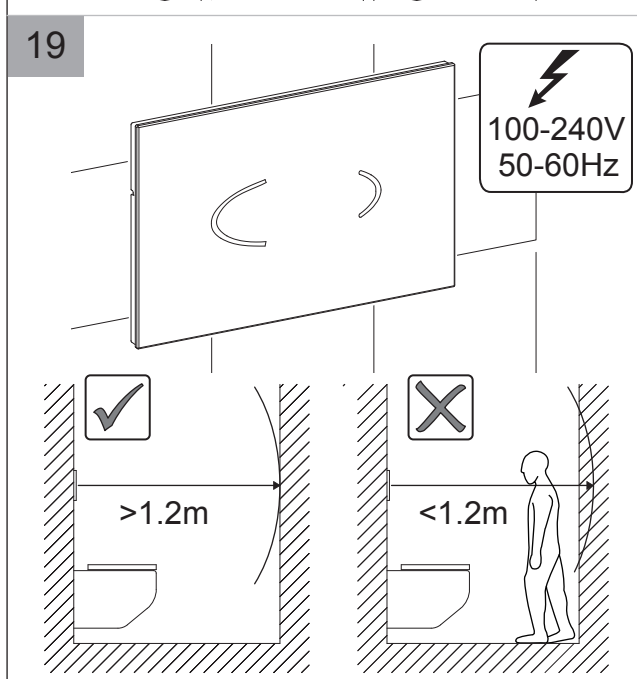
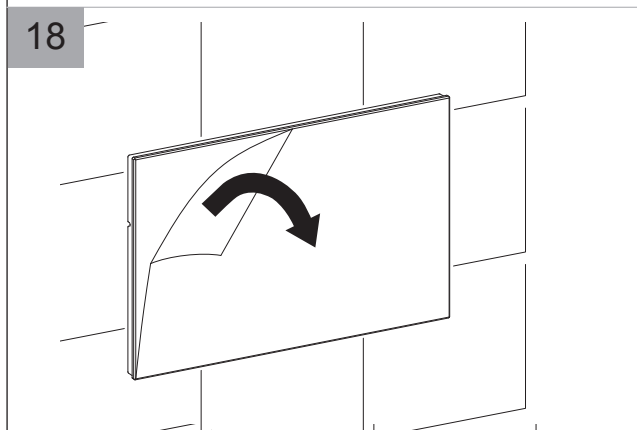
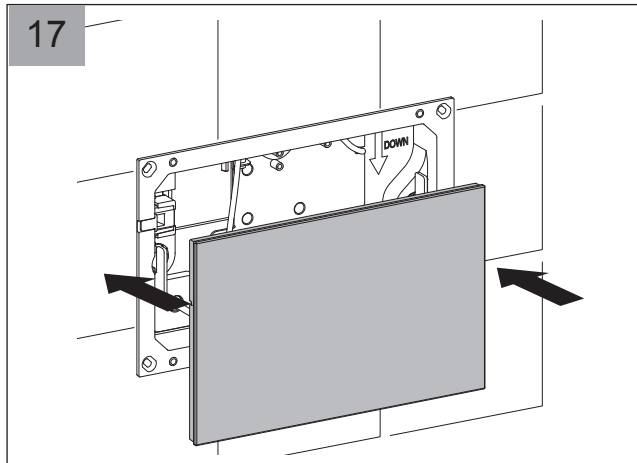
Installation



Installation



Installation



Installation

