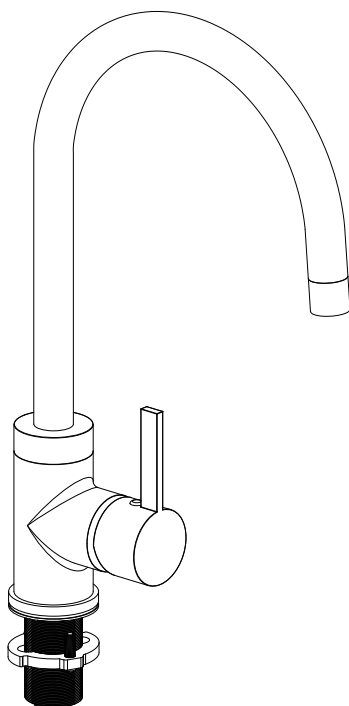


# BAGNODESIGN

EXPERTLY CRAFTED BATHROOMS

---

## Installation Guide

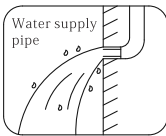


**AQE-Q-361-CP**  
Q KITCHEN SINK MIXER

## IMPORTANT PLEASE READ

### Maintenance Advice

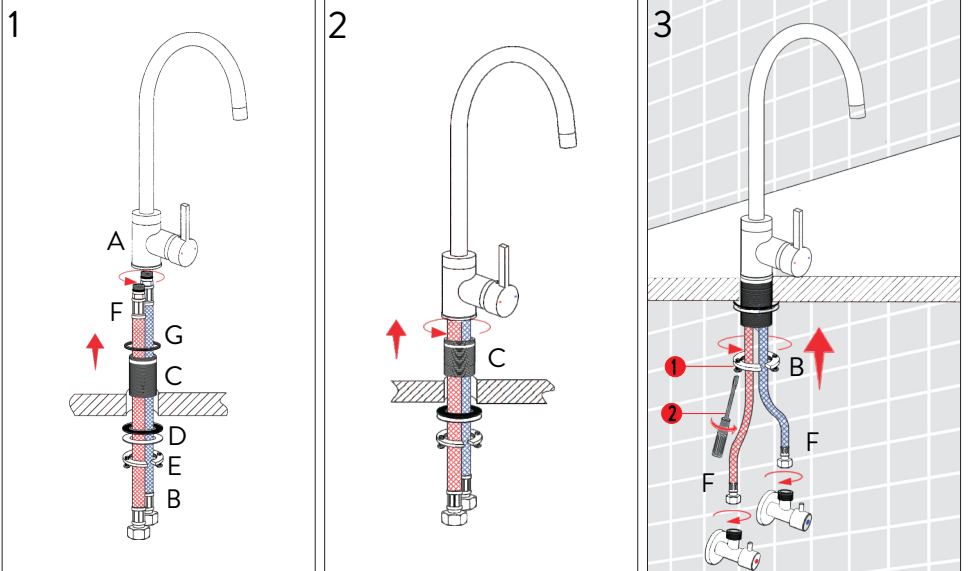
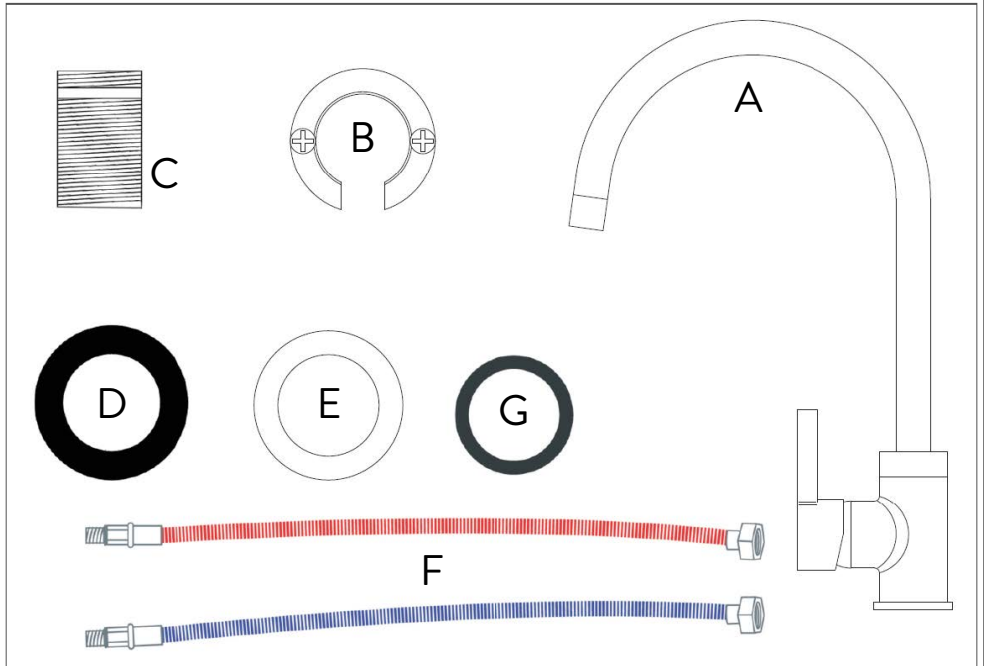
- a) If the water flow is too small, check if there are any dirt in the aerator or flexible hose. If yes, disassemble those parts and clean with water.
- b) Use soft cloth or water to remove the dirt on the surface. Do not cleanse the chrome plated surface with scratching objects or acid detergent, otherwise, the surface will be scratched and corroded.
- c) Wipe up the surface to its original finish with dry cotton cloth every time after cleansing or using it.



### Not covered by the guarantee is:

- Breakdown due to -
  - a) Use other than domestic
  - b) Willful act of neglect
  - c) Any malfunction resulting from incorrect use
  - d) incorrect assembly/installation
- Repair costs for damage caused by foreign objects or substances.
- total loss of the product due to non-availability of parts.
- Compensation for loss of use of the product or consequential loss of any kind.
- Call out charges where no fault has been found with the product.
- the cost of repair or replacement of any accessories installed at the same time.
- The cost of routine maintenance, adjustment, overhaul, modification, loss or damage, arising there from, including the cost of repairing damage, breakdown, malfunction caused by incorrect use, assembly or maintenance.

# PARTS LIST



The installation guide is for reference only. In case there is discrepancy between the instruction and that of the actual product, the latter should be taken as standard. The rights of modification is reserved.

# BAGNODESIGN

EXPERTLY CRAFTED BATHROOMS

---

---

---

---

---

---

---

---

---

---

---

---

A member of SANIPEXGROUP  
[www.sanipexgroup.com](http://www.sanipexgroup.com)