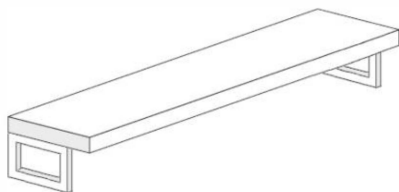


BAGNODESIGN

EXPERTLY CRAFTED BATHROOMS

General Installation Guide



ALPINE

wall mounted countertop 800, 1200, 1400 & 1800

A member of **SANIPEXGROUP**

Please leave these instructions with the customer

IMPORTANT PLEASE READ

Remove all packaging and check the product for missing parts or damage before starting installation.

Any alterations made to this product and fittings may infringe water regulations and invalidate the guarantee.

The Installation must comply with all Local/National Water Supply Authority Regulations/Byelaws and Building and Plumbing Regulations.

We strongly recommend that your product be installed by a reputable qualified trade's person.

General Installation:

Please note this product can require 2 or more persons to lift and manoeuvre into position.

To the installer: Please read and follow this instruction carefully, as the guarantee is only valid if the product is installed as directed.

Don't rush, read the instructions first and run through them before you begin. Keep fittings together to avoid loss. Do not over tighten screws or bolts.

If the unit is covered with polyethylene protective film, do not remove until installation is complete to grant maximum protection. However, remove film where any two surfaces will be in permanent contact.

Verify that all dimensions on the plan are the same as the ones of the product.

Please leave this installation manual with the end user once the product has been installed.

Product Aftercare:

We recommend cleaning with a soft damp cloth and mild soap solution.

Do not use cream cleaners or cleaners containing bleach.

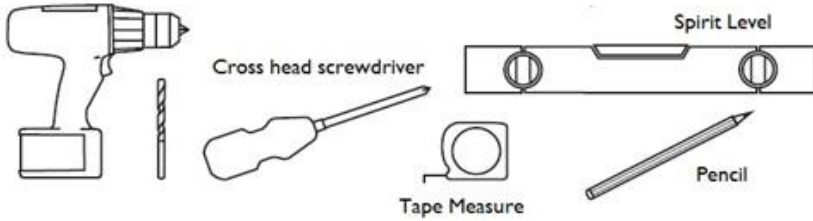
Do not scrub or scour.

Do not use abrasive cleaning agents.

Do not use solvent based cleaners.

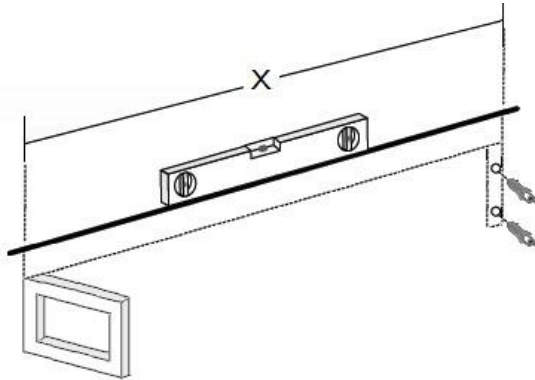
Do not allow pools of water to remain standing on the surfaces

Tools Required (Not supplied)

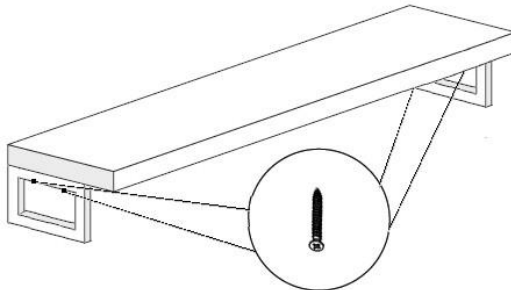


Drill and drill bits

Required when securing the cabinet to a wall. Use an appropriate size bit to match the wall fixing chosen (wall screws and fixings not supplied).



Once you have decided on a suitable position for your countertop, mark out the external distance onto the wall (X). Line the wall brackets up to the inside of the markings and mark out the drilling positions on the wall. *(If desired place the brackets 25mm in from the end line for a countertop overhang)* Attach wall brackets using suitable fixings (not supplied), making sure the wall brackets are level and the distance between the outer edges of the wall brackets is the same as that measure (X) in the previous stage. *(-50mm if overhang)*



With both wall brackets secure, place the countertop into position, then using suitable fixings (not supplied) attach the wall bracket to the shelf.

INSTALLATION COMPLETE!!!

BAGNODESIGN

EXPERTLY CRAFTED BATHROOMS

Oakwell Way, Birstall
Leeds, England WF9 17LU

A member of **SANIPEXGROUP**