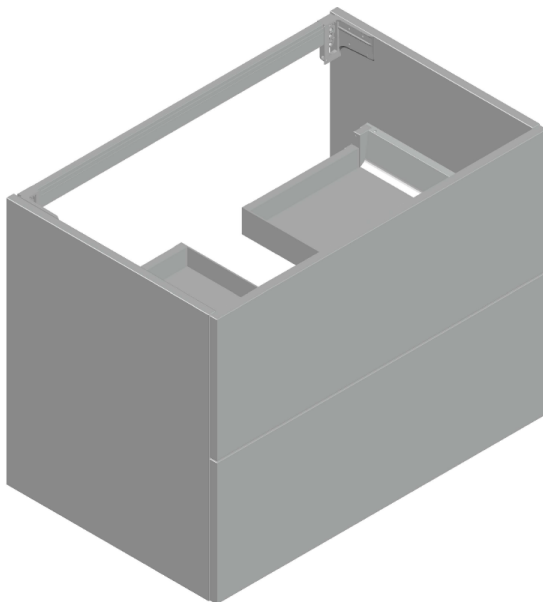


# BAGNODESIGN

EXPERTLY CRAFTED BATHROOMS

---

## Installation Guide



### **BDF-BCH-VANITY**

BEACH HOUSE WALL MOUNTED DOUBLE DRAWER VANITY

A member of **SANIPEXGROUP**  
[www.sanipexgroup.com](http://www.sanipexgroup.com)

## GENERAL INSTALLATION:

To the installer, please read and follow these instructions carefully, as the guarantee is only valid if the product is installed as directed.

Don't rush, read the instructions first and run through them before you begin, keep the fittings together to avoid loss, do not overtighten screws or bolts.

If the product is covered with polythene protective film, do not remove until the installation is complete to grant maximum protection. However, remove film where any two surfaces will be in permanent contact. If tools are required to be used on a 'finished' surface, please place a cloth or similar over the area to protect the item from unnecessary scratching.

Verify that the dimensions on the plan are the same as the ones of the product.

Please note this product can require 2 or more persons to lift and manoeuvre into position.



In some cases, where the multiple products are combined all products must still be considered individual and should be installed individually.

Additional products may be required for the installation, please check the Technical data sheet or current Price guide for information.

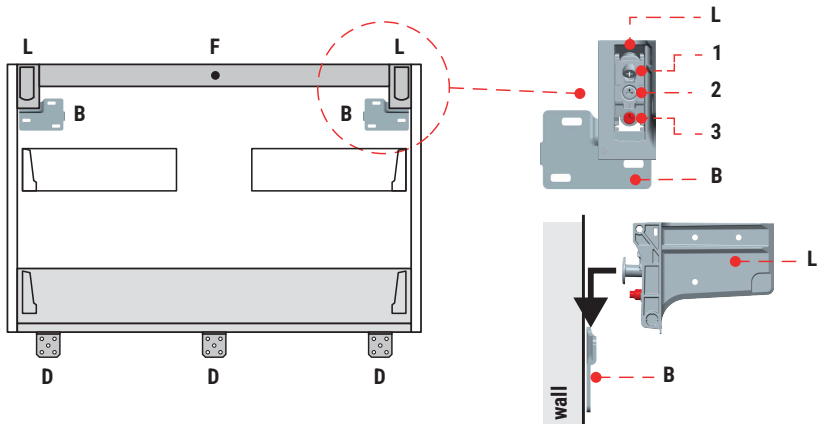
## TOOLS REQUIRED (Not Supplied)



### Drill and Drill bits:

Required when securing the bracket to the wall. Use an appropriate size bit to match the wall fixing chosen (screws and fixings may not be supplied with the product).

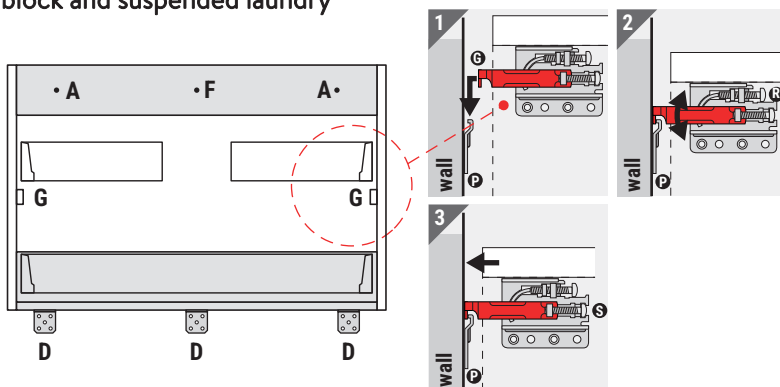
- \* Screwdriver
- \* Electrical Screwdriver
- \* Tape measure
- \* Pencil
- \* Spirit Level
- \* Hammer



- 1 - Install plates "B" onto the wall using suitable wall plugs according to the type of wall available.
- 2 - Anchor the two wall mounting mechanisms "L" to the plates "B" previously installed on the wall, using screw "2" for tightening.
- 3 - Adjust the height of the cabinet and level it using a spirit level, adjusting the diagonal screw "1", considering that each turn of the ruler equals approximately 10 mm.
- 4 - Tighten screw "2" until the cabinet is snug against the wall.
- 5 - Tighten the screw of the anti-disengagement system "3".
- 6 - Complete the installation by placing one or more metal brackets "D" (included in the package, if necessary) under the cabinet.

In the case of a base for a sink with dimensions larger than 100 cm, it is recommended to install a wall plug at point "F".

### Mono block and suspended laundry



- 1 - Install plates "P" onto the wall using suitable wall plugs according to the type of wall available.
- 2 - Anchor the two wall mounting mechanisms "G" to the plates "P" previously installed on the wall.
- 3 - Adjust the height of the cabinet and level it using a spirit level, adjusting screw "R".
- 4 - Tighten screw "S" until the cabinet is snug against the wall.
- 5 - Securely fix the cabinet using specific wall plugs (not included) suitable for the type of wall, using the provided perforations "A" on the rear reinforcement bar.
- 6 - Complete the installation by placing one or more metal brackets "D" (included in the package, if necessary) under the cabinet.

In the case of a base for a sink with dimensions larger than 100 cm, it is recommended to insert a wall plug at point "F".

# BAGNODESIGN

EXPERTLY CRAFTED BATHROOMS

---

---

---

---

---

---

---

---

---

---

---

---