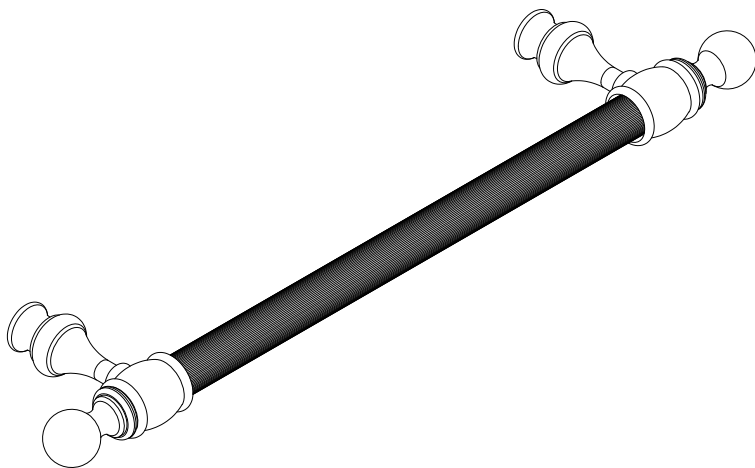


# BAGNODESIGN

EXPERTLY CRAFTED BATHROOMS

---

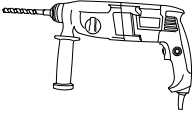
## Installation Guide



**BDF-BIA-350-XX**  
BIARRITZ VANITY UNIT HANDLE

A member of **SANIPEXGROUP**  
[www.sanipexgroup.com](http://www.sanipexgroup.com)

## Tools Required (Not supplied)



DRILL & BITS



CROSS HEAD SCREWDRIVER

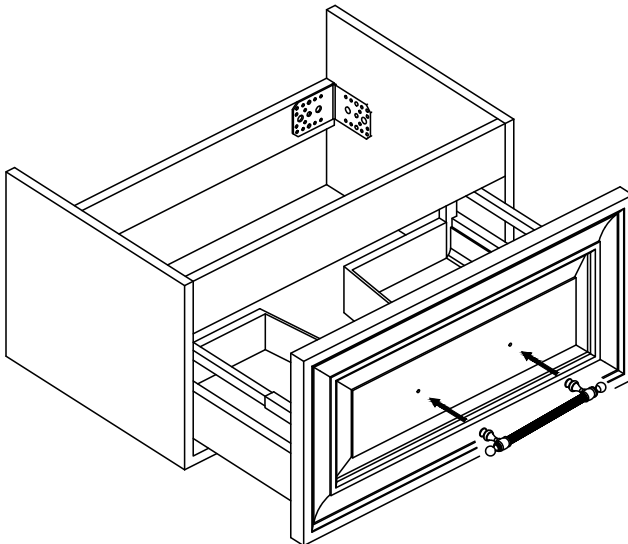
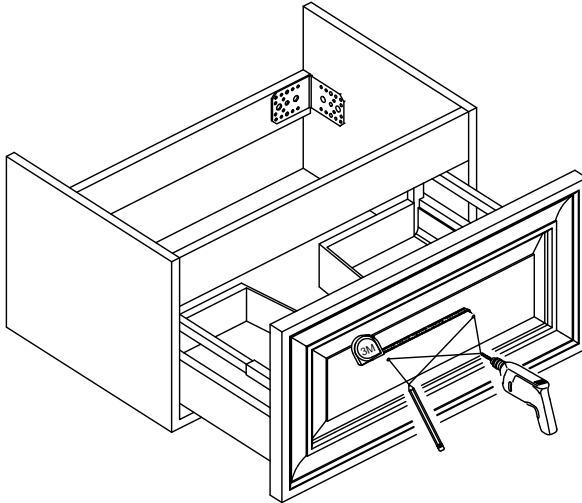


PENCIL

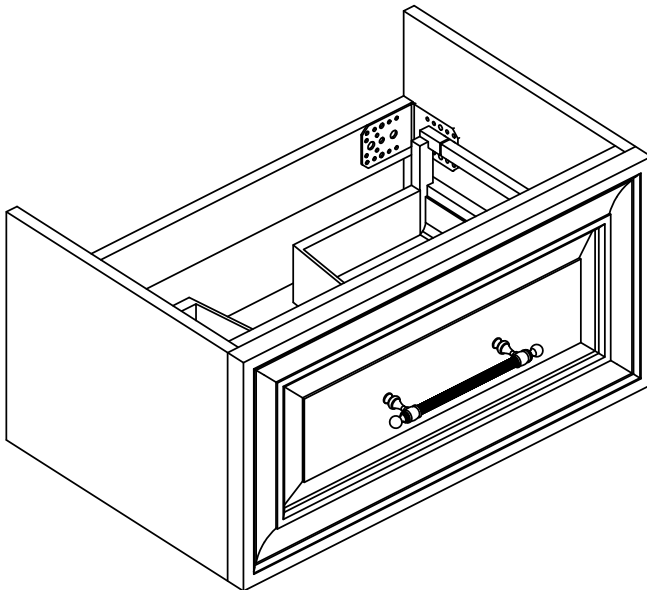
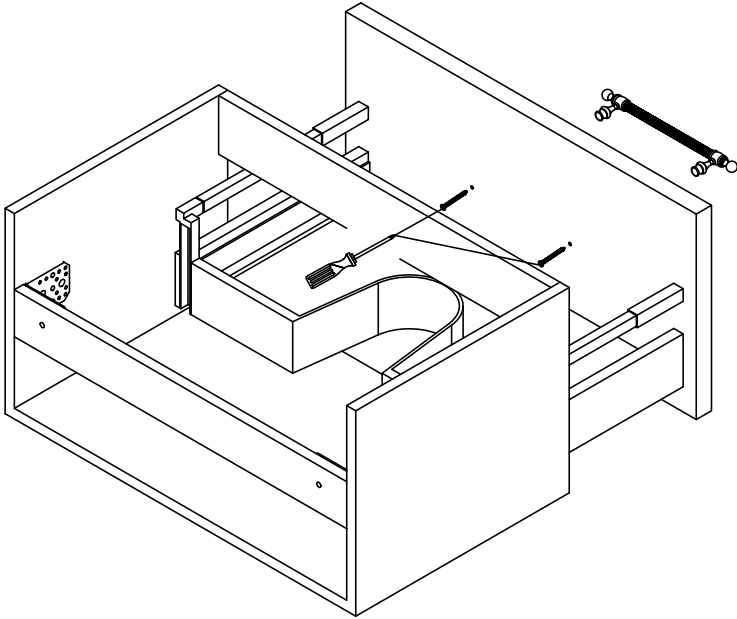


Tape Measure

- 1 By using measuring tape mark the circle location with pencil. Then using drill machine make two fine holes.



② By using screwdriver fix both screws.



INSTALLATION COMPLETE

# BAGNODESIGN

EXPERTLY CRAFTED BATHROOMS

---

---

---

---

---

---

---

---

---

---

---

---

---

---

---

A member of SANIPEXGROUP  
[www.sanipexgroup.com](http://www.sanipexgroup.com)